

CXA-0406

Dimming/Connector Type

■ Features

- 2-output
 - UL60950 approved
 - Applicable panel size*: 5 to 6 inches
 - With brightness control function (Pulse Wide Modulation mode).
 - With shut down function.
 - With a sensing function for running out of lamp (alarm output).
 - In the high-voltage generator(a terminal and a pattern), an anti-dust measure by silicone application is taken.
- (Notice) Applicable panel size becomes a standard.

■ Applications



CXA-0406 Specifications (Please refer to each specification before use)

Electrical Characteristics

| Item | Unit | Symbol | Specification | | | Condition | | | | | Remark |
|----------------------|------|--------------------------|---------------|------|------|-----------|---------|--------|------------|--------|------------------------------|
| | | | min | typ | max | Vin(V) | Vrmt(V) | Vbr(V) | Ta(°C) | RL(kΩ) | |
| Output Current | mA | Iout (Maximum dimmer) | 5.8 | 6.4 | 7.0 | 5±0.05 | 5 | 0 | 23±5 | 55 | (*1) |
| | | | 5.7 | 6.4 | 7.1 | 5±0.25 | 5 | 0 | -10 to +60 | 55 | (*1) |
| | | Iout (Minimum dimmer) | 2.7 | 3.2 | 3.7 | 5±0.05 | 5 | 3 | 23±5 | 55 | (*1) |
| Input Current | A | Iin1 | - | 1.28 | 1.75 | 5±0.25 | 5 | 0 | -10 to +60 | 55 | Remote ON |
| | mA | Iin2 | - | 0 | 1 | 5±0.25 | 0 | 0 | -10 to +60 | 55 | Remote OFF |
| Frequency | kHz | Freq1 | 53 | 59 | 65 | 5±0.25 | 5 | 0 | -10 to +60 | 55 | |
| | Hz | Freq2(Duty frequency) | 230 | 255 | 280 | 5±0.25 | 5 | 3 | -10 to +60 | 55 | |
| Open Circuit Voltage | Vrms | Vopen | 1050 | 1150 | - | 4.75min. | 5 | 0 | -10 to +60 | ∞ | Open load |
| Alarm Signal | V | Vst | 4.5 | 5.0 | 5.5 | 5±0.25 | 5 | 0 | -10 to +60 | ∞ | In case of lamp anomaly (*2) |
| | | | - | 0 | 0.5 | 5±0.25 | 5 | 0 | -10 to +60 | 55 | On a normal operation (*2) |

(*1) Please refer to the connection diagram for details of a dimming method.

(*2) Please refer to the connection diagram for details of alarm output.

Other Specifications

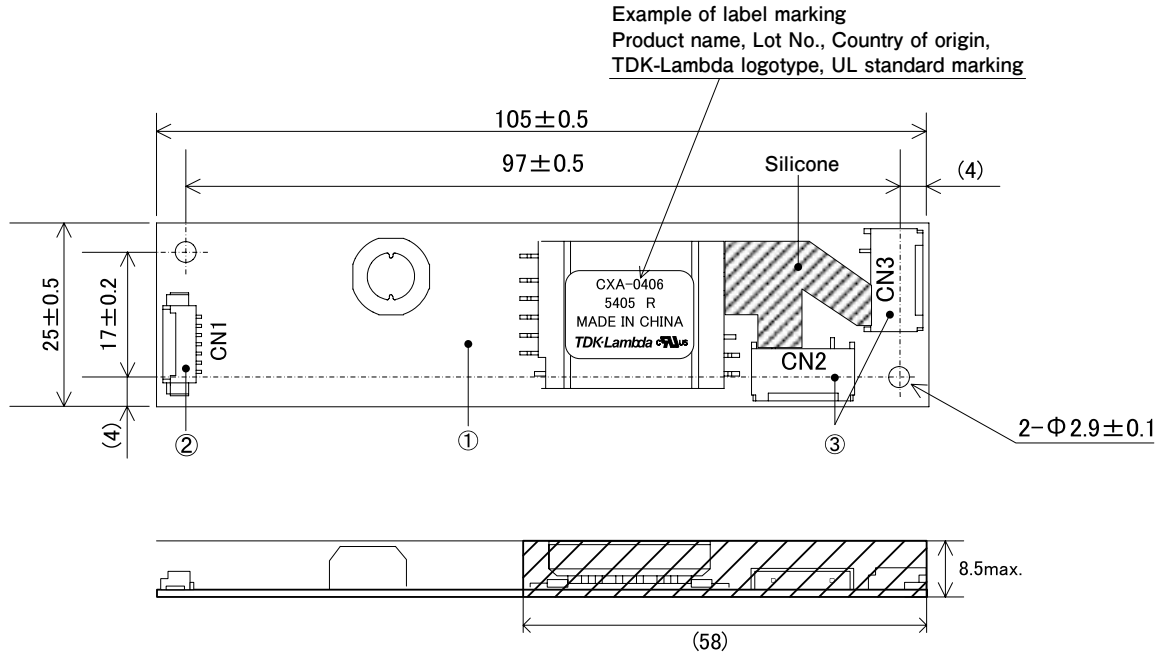
| | | |
|---------------------------------------|-----|-----------------|
| Dimming Function | | Yes |
| Operating Temperature | °C | -10 to +70 |
| Storage Temperature | °C | -30 to +85 |
| Operating Humidity Ratio | RH% | 95Max |
| Safety Standard | | UL60950 |
| Weight | g | 20 |
| Dimensions(WxDxH) | mm | 105x25x8.5 (*3) |
| Fused Input | | Yes |
| Remote ON / OFF | | Yes |
| Alarm Signal Function | | Yes |
| Shutdown Function | | Yes |
| Silicone Coating on High Voltage Area | | Yes |

(*3) These dimensions are indicated the maximum only H. Others are typical values.

■ Conformity to RoHS Directive

This means that, in conformity with EU Directive 2002/95/EC, lead, cadmium, mercury, hexavalent chromium, and specific bromine-based flame retardants, PBB and PBDE, have not been used, except for exempted applications.

Outline Drawing



High-voltage generator ※
 (The entire surface within a range of 58mm away from the end of the basein)
 ※From high-voltage generator, please secure space distance more than 2mm in top and bottom right and left.

unit:mm

Connector

| Connector number | Part number | Model/Material | Quantity | Remarks | Recommended applicable connector |
|------------------|---------------------------|--------------------------------|----------|--------------------|----------------------------------|
| ① | Printed circuit board PCB | Composite (CEM-3) | 1 | UL94V-0 t=1.0 | — |
| ② | Input connector CN1 | 53261-0771 | 1 | Molex Inc. | 51021-0700 |
| ③ | Output connector CN2,CN3 | SM02 (8.0)B-BHS-1-TB (LF) (SN) | 2 | JST Mfg. Co., Ltd. | BHR-03VS-1 |

Terminal Numbers And Functions

Input side CN1

| Terminal number | Symbol | Rated voltage | Remarks |
|-----------------|--------------|-----------------------|--|
| CN1-1 | Vin | $5 \pm 0.25V$ | Power input |
| CN1-2 | | | |
| CN1-3 | | | |
| CN1-4 | GND | 0V | Ground |
| CN1-5 | Vrmt | 25 to Vin/0 to 0.5V | Remote terminal 2.5 to Vin : ON |
| CN1-6 | Vst (Output) | 0V/5V | Alarm output Lump open : 5V |
| CN1-7 | Vbr | 0 to 3V 0 to 10k Ω | Dimmer terminal 0V or 0Ω : max 3V or 10kΩ : min |

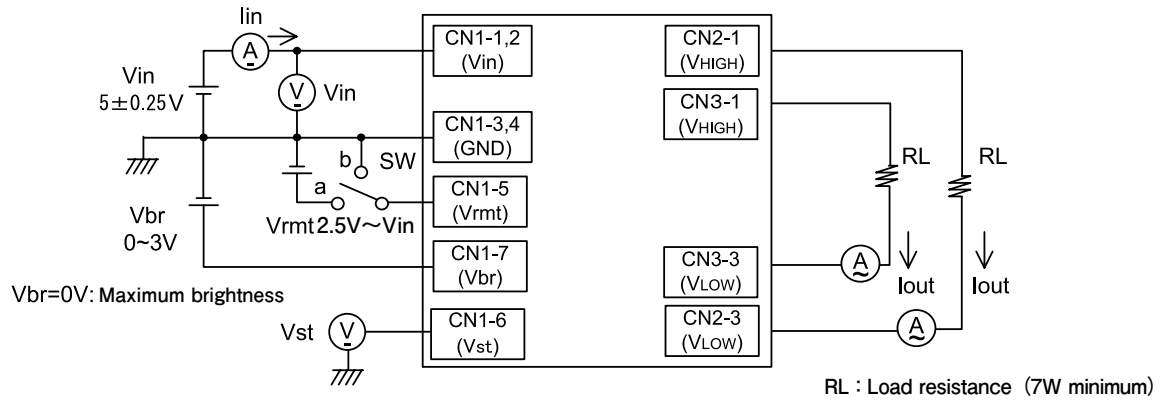
Output side CN2

| Terminal number | Symbol | Rated voltage | Remarks |
|-----------------|--------------------|---------------|-----------------|
| CN2-1 | V _{HIGH1} | 340Vrms | Output 1 |
| CN2-2 | N.C. | — | N.C. |
| CN2-3 | V _{LOW1} | (2V) | Output 1 return |

Output side CN3

| Terminal number | Symbol | Rated voltage | Remarks |
|-----------------|--------------------|---------------|-----------------|
| CN2-1 | V _{HIGH2} | 340Vrms | Output 2 |
| CN2-2 | N.C. | — | N.C. |
| CN2-3 | V _{LOW2} | (2V) | Output 2 return |

Connections



Operate as follows by switching a SW.

| SW | Unit operation |
|----|------------------|
| a | Operation |
| b | Does not operate |

Mouser Electronics

Authorized Distributor

Click to View Pricing, Inventory, Delivery & Lifecycle Information:

[TDK:](#)

[CXA-0406](#)