

CXA-0549

Features

- 2 outputs
 - UL60950-1 acquisition product
 - Applicable panel size*: 5 to 10 inches
 - With brightness control function (Pulse Width Modulation Dimming).
 - With a sensing function for running out of lamp (alarm output).
 - In the high-voltage generator (a terminal and a pattern), an anti-dust measure by silicone application is taken.
- (Notice) Applicable panel size becomes a standard.

Applications



Dc-AC Inverter

CXA-0549 Specifications (Please refer to each specification before use)

Electrical Characteristics

Item	Unit	Symbol	Specification			Condition					Remarks
			min	typ	max	Vin(V)	Vrmt(V)	Vbr(V)	Ta(°C)	RL(kΩ)	
Output Current	mA	Iout (Maximum dimmer)	5.7	6.0	6.7	12±0.1	5	0	23+5	74	(*1)
			5.0	6.0	7.0	12±1.2	5	0	-20 to +70	74	(*1)
		Iout (Minimum dimmer)	1.2	2.0	2.8	12±0.1	5	2.5	23+5	74	(*1)
Input Current	A	Iin1	-	0.55	0.70	12±1.2	5	0	23+5	74	Remote ON
	mA	Iin2	-	-	1	12±1.2	0	0	23+5	74	Remote OFF
Oscillatory Frequency	kHz	Freq1	38	43	48	12±1.2	5	0	23+5	74	
	Hz	Freq2 (Duty frequency)	254	305	356	12±1.2	5	2.5	23+5	74	
Open Circuit Voltage	Vrms	Vopen	1250	1500	-	10.8min.	5	0 to 2.5	23+5	∞	Open load
Alarm Signal	V	Vst	4.5	5.0	5.5	12±0.1	5	0 to 2.5	23+5	74	In case of lamp anomaly (*2)
			-	0	0.5	12±0.1	5	0 to 2.5	23+5	74	On a normal operation (*2)

(*1) Please refer to the connection diagram for details of a dimming method.

(*2) Please refer to the connection diagram for details of alarm output.

Other Specifications

Dimming Function		Yes
Operating Temperature	°C	-20 to +70
Storage Temperature	°C	-30 to +85
Operating Humidity Ratio	RH%	95Max
Safety Standard		UL60950-1
Weight	g	21typ.
Dimensions (WxDxH)	mm	140x30x8 (*3)
Fused Input		Yes
Remote ON / OFF		Yes
Alarm Signal Function		Yes
Shutdown Function		No
Silicone Coating on High Voltage Area		Yes

(*3) These dimensions are indicated the maximum only H. Others are typical values.

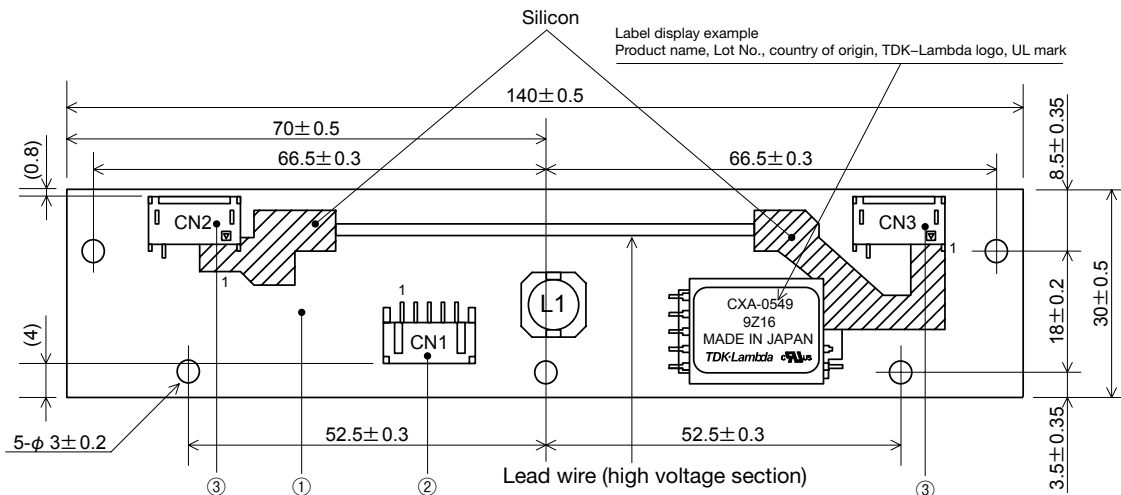
Conformity to RoHs Directive

This means that, in conformity with EU Directive 2002/95/EC, lead, cadmium, mercury, hexavalent chromium, and specific bromine-based flame retardants, PBB and PBDE, have not been used, except for exempted applications.

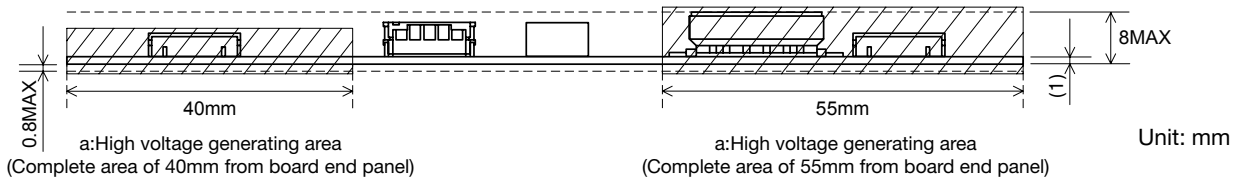
Connector type/2 outputs

Outline Drawing

DC-AC Inverter



Note: The hatched section in the above diagram shows the silicon application position.



*From high-voltage generator, please secure space distance more than 3mm in top and bottom right and left.

Connector

NO.	Component name	Type name	Qty	Remarks	Recommended suitable connector
①	Printed circuit board PCB	Composite (CEM-3)	1	UL94V-0 t = 1.0	—
②	Input connector CN1	S5B-PH-SM4-TB(LF)(SN)	1	J.S.T Mfg., Co., Ltd	PHR-5
③	Output connector CN2,CN3	SM02 (8.0) B-BHS-1-TB (LF)(SN)	2	J.S.T Mfg., Co., Ltd	BHR-03VS-1

Terminal Number & Function

Input side CN1

Terminal No.	Symbol	Rating	Remarks
CN1-1	V _{in}	10.8 to 13.2V	Power source input
CN1-2	GND	0V	Ground
CN1-3	V _{br}	0 to 2.5V	Dimmer terminal
CN1-4	V _{st} (output)	0/5V	Alarm output Lump open: 5V
CN1-5	V _{rmt}	0V/2.5V to V _{in}	Remote terminal 0 to 0.4V : OFF 2.5 to V _{in} : ON

Output side CN2

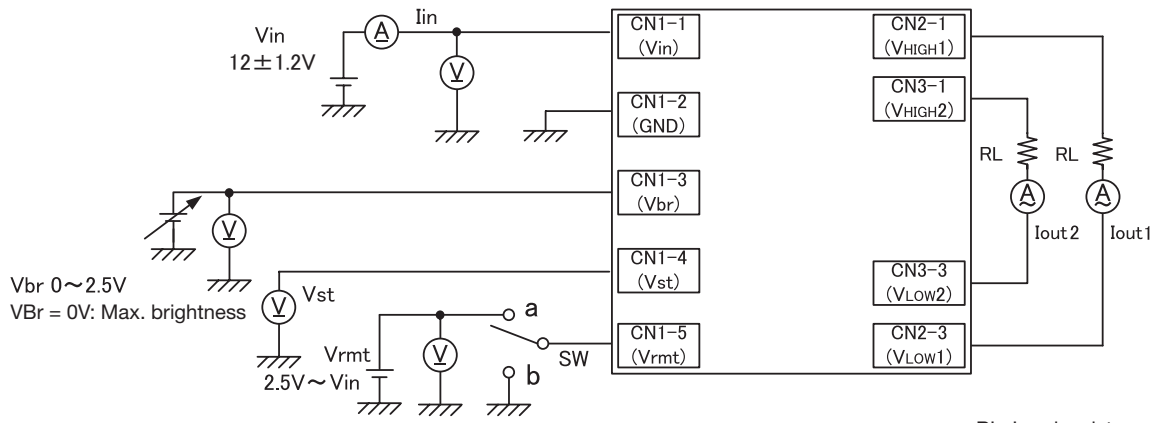
Terminal No.	Symbol	Rating	Remarks
CN2-1	V _{HIGH1}	460Vrms	Output 1
CN2-3	V _{LOW1}	(5V)	Output 1 return

Output side CN3

Terminal No.	Symbol	Rating	Remarks
CN3-1	V _{HIGH2}	460Vrms	Output 2
CN3-2	V _{LOW2}	(5V)	Output 2 return

Connector type/2 outputs

Connections



Dc-AC Inverter

Operate as follows by switching a SW.

SW1	Unit operates
a	Operates
b	Operation stopped
Open	Operation stopped

Protection Circuit Operation

Load condition	Alarm output (CN1-4)
When normal	0.5V max.
When 1 load (lamp) are NG	4.5 to 5.5V
When 2 load (lamp) are NG	4.5 to 5.5V

*Alarm output will output 5V when RL1 and/or RL2 is/are open.

Connector type/2 outputs

Mouser Electronics

Authorized Distributor

Click to View Pricing, Inventory, Delivery & Lifecycle Information:

[TDK:](#)

[CXA-0549](#)