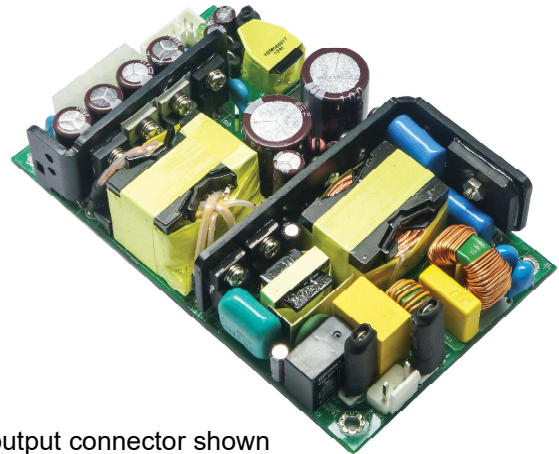


3 x 5" 280W AC-DC Medical Power Supplies

Features

- ◆ Wide Range AC Input
- ◆ Low profile, Industry Standard Footprint
- ◆ 210W Convection
- ◆ Global Safety Agency Compliance
- ◆ Dual Input Fuses



/M output connector shown

Key Market Segments & Applications

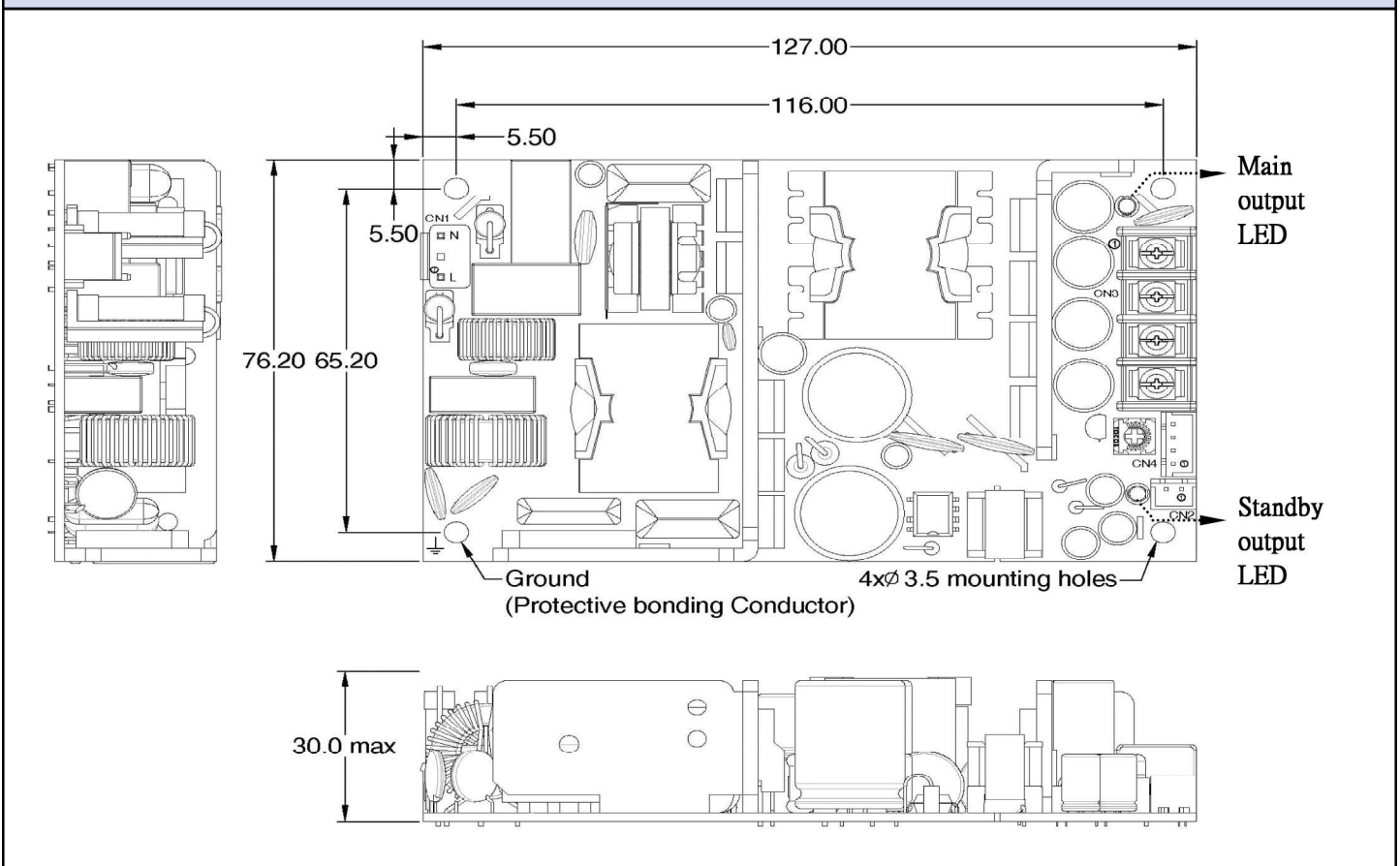


Specifications		
Model	CSS280	
Input Voltage range (1)	V	90 - 264VAC (47 - 63Hz)
Inrush Current	A	<60A at 230VAC input, 25°C ambient cold start
Input Current (115/230VAC)	A	3.5 / 2A
Power Factor Correction	-	Meets EN61000-3-2, >0.9
Earth Leakage Current	µA	<100µA 264VAC 63Hz
Hold Up Time (Typ)	ms	10ms at 115VAC input
Temperature Coefficient	%/°C	±0.1%/°C
Total Regulation	%	±1% (±10% for Vsb)
Ripple & Noise	%	2% peak to peak
Overcurrent Protection	-	105 - 150%
Overvoltage Protection	V	104 - 140% of nominal (Cycle input power or activate remote on/off to reset)
Overtemperature Protection	-	Shuts down the power supply. Manual reset by cycling the input or using the remote on/off
Remote On/Off	-	Unit on: Floating or high, Unit off: Low
Standby Voltage (always on)	-	+5V 0.5A, 100mV peak to peak ripple
Fan Supply	-	+12V 0.3A
Efficiency (typical)	%	91%
Avg. Efficiency (25, 50, 75 & 100% load)		88%
Power Draw (in standby mode)	W	<0.5W
Operating Temperature	°C	-20 to +70°C derate linearly to 50% load from 50 to 70°C
Storage Temperature	°C	-20 to +85°C
Humidity (non condensing)	-	10 - 95% RH
Cooling	-	Convection or forced air (18CFM)
Withstand Voltage	-	Input to Ground 1.5kVAC, Input to Output 4kVAC, Output to Ground 1.5kVAC for 4s
Isolation Resistance	-	>100M at 25C & 70%RH, Output to Ground 500VDC
Vibration (non operating)	-	19.6m/s ² (10~55Hz:2G Constant, X,Y,Z 60min each.)
Shock	-	< 196.1 m/s ² (20G)
Safety Agency Approvals	-	UL/EN/IEC60601-1, UL/EN/IEC60950-1, CE Mark. (2 x MOPPS 3rd edition)
Conducted & Radiated EMI	-	EN55011-B, EN55022-B, EN55024-B, FCC Class B
Immunity	-	IEC60601-1-2 Ed4
Weight (Typ)	g	350g
Size (WxLxH)	In (mm)	3 x 5 x 1.18" (76.2 x 127 x 30mm)
Warranty	yrs	Three Years

Notes

(1) With convection cooling, derate linearly to 190W, from 100VAC TO 90VAC

Outline Drawing



Model Selector

Model	Output Voltage (V)	Maximum Current Convection (A)	Maximum Power Convection (W)	Maximum Current Forced Air	Maximum Power Forced Air	Ripple & Noise
CSS280-12	12V	17.5A	210W	23.33A	280W	150mV
CSS280-24	24V	8.75A	210W	11.66A	280W	240mV
CSS280-28	28V	7.5A	210W	10A	280W	280mV
CSS280-48	48V	4.375A	210W	5.83A	280W	300mV
CSS280-54	54V	3.88A	210W	5.18A	280W	400mV

Options

Suffix	Description
Blank	Screw terminal block output connector
/J	JST output connector
/M	Molex Minifit output connector

Other Medical Products

KM	15 - 40W pcb mount 1 - 3 outputs
CSS	40 - 500W single output
NV175	175 - 200W 1-4 outputs
NV300	300W 1-4 outputs
EFEM	300-400W
CFE400M	300-400W (300W convection)

For Additional Information, please visit
<https://product.tdk.com/info/en/products/power/index.html>



Mouser Electronics

Authorized Distributor

Click to View Pricing, Inventory, Delivery & Lifecycle Information:

[TDK-Lambda:](#)

[CSS28024](#) [CSS28012](#) [CSS28048](#) [CSS28054](#) [CSS28028](#)