

3-terminal Filters(SMD) For Signal Line

Conformity to RoHS Directive

MEM Series MEM2012T Type

FEATURES

- Multilayer chip EMC filter utilizing a T-type circuit.
- Entirely monolithic structure results in high reliability.
- Due to closed magnetic circuit architecture, high-density installation becomes possible, and crosstalk generation is prevented.
- Steep attenuation characteristic plot. Highly effective noise suppression.
- Covers a wide range of frequencies.
- MEM2012T is a coil type EMC filter.

APPLICATIONS

Computer and computer peripherals, VCRs, TVs, car audio equipment, printers, game machines, etc.

TEMPERATURE RANGES

Operating/Storage	-40 to +85°C
-------------------	--------------

PRODUCT IDENTIFICATION

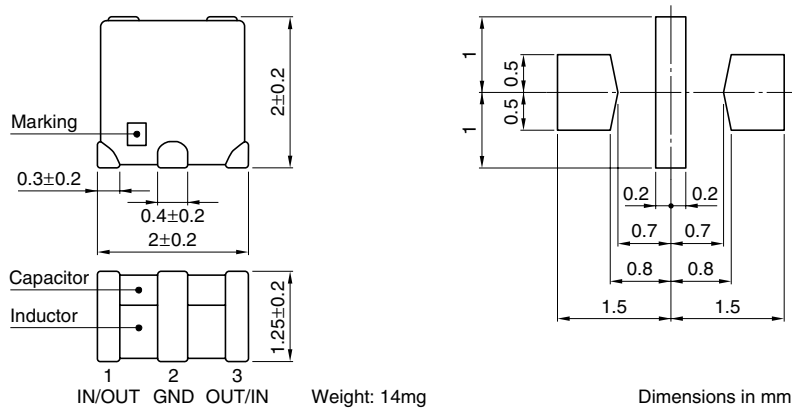
MEM	2012	T	10R0	T
(1)	(2)	(3)	(4)	(5)

- (1)Series name
 (2)Dimensions L×W
 (3)T-type circuit
 (4)Cutoff frequency 10R0:10MHz
 (5)Packaging style T:Taping

PACKAGING STYLE AND QUANTITIES

Packaging style	Quantity
Taping	1000 pieces/reel

SHAPES AND DIMENSIONS/RECOMMENDED PC BOARD PATTERN



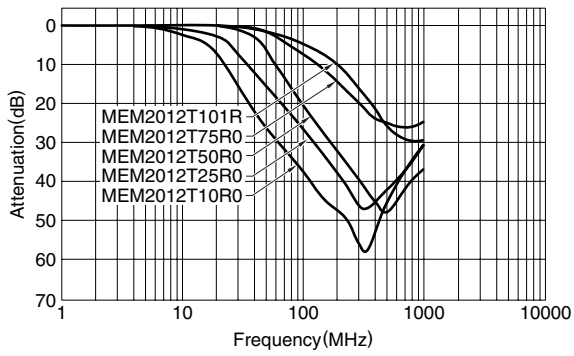
ELECTRICAL CHARACTERISTICS

Part No.	Cutoff frequency (MHz)	Insertion loss (dB)min.	Rated voltage Edc(V)max.	Rated current (mA)max.
MEM2012T10R0	10	20[40 to 900MHz]	10	100
MEM2012T25R0	25	20[80MHz to 1GHz]	10	150
MEM2012T50R0	50	20[150MHz to 1.2GHz]	10	150
MEM2012T75R0	75	20[300MHz to 1.7GHz]	10	250
MEM2012T101R	100	20[400MHz to 1.7GHz]	10	250

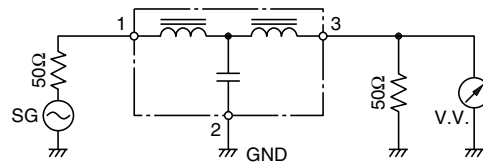
- Conformity to RoHS Directive: This means that, in conformity with EU Directive 2002/95/EC, lead, cadmium, mercury, hexavalent chromium, and specific bromine-based flame retardants, PBB and PBDE, have not been used, except for exempted applications.
- Please contact our Sales office when your application are considered the following:
The device's failure or malfunction may directly endanger human life (e.g. application for automobile/aircraft/medical/nuclear power devices, etc.)

• All specifications are subject to change without notice.

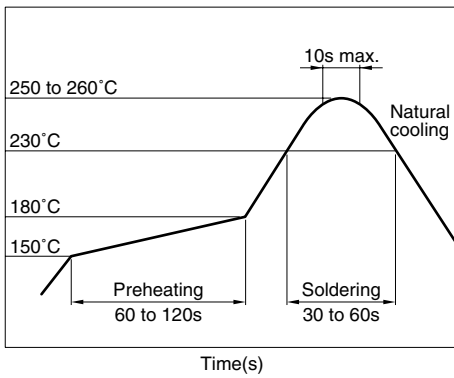
TYPICAL ELECTRICAL CHARACTERISTICS ATTENUATION vs. FREQUENCY CHARACTERISTICS



MEASURING CIRCUIT



RECOMMENDED SOLDERING CONDITION REFLOW SOLDERING



Mouser Electronics

Authorized Distributor

Click to View Pricing, Inventory, Delivery & Lifecycle Information:

TDK:

[MEM2012T10R0T](#) [MEM2012T50R0](#) [MEM2012T10R0](#) [MEM2012T25R0](#) [MEM2012T75R0](#) [MEM2012T101R](#)
[MEM2012T101RT0S1](#) [MEM2012T201RT0S1](#) [MEM2012T25R0T0S1](#) [MEM2012T35R0T0S1](#) [MEM2012T50R0T0S1](#)
[MEM2012T25R0T0S1](#) [MEM2012T201R0T0S1](#) [MEM2012T35R0T0S1](#) [MEM2012T101R0T0S1](#)