

SIM CARD CONNECTORS

Slide-In SIM 9162-200



The standard SIM connector is specifically designed for handheld devices requiring secure subscriber identification.

Following on from the introduction of our standard SIM block with an offering of 3 standard heights, 0.80mm, 1.60mm, or 2.40mm, KYOCERA AVX is now adding another standard to the 9162 series SIM connectors, the slide-in SIM.

Unlike SIM blocks which require SIM card guides to aid insertion, removal and retention of the SIM card, the slide-in SIM has guides as part of the connector mold design.

Contacts are stamped, gold plated, rated 0.5A, and 5000 mechanical cycles.

Our contact design is specifically rounded to avoid any possible damage during and after card insertion to the card itself, assuming normal use. The design also incorporates protection features to avoid contact damage during this operation such as contact snagging.

Please contact the appropriate sales office for further details of this service.

APPLICATIONS

- Cellular Phones
- Radios

FEATURES AND BENEFITS

- Produced for use with mini SIM cards.
- The insulator is molded from high temperature plastic enabling the connector to be used in convection or infrared soldering processes.
- Supplied on tape and reel packaging for pick and place assembly.
- The all plastic design, assuming normal use prevents damage to the SIM card on insertion.
- Optional SMT contact size:
 - Standard SMT contact size – 1.60mm x 1.60mm
 - Narrow SMT contact size – 1.05mm x 0.60mm
- RoHS Compliant available.

ELECTRICAL

- Current Rating: 0.5 Amp / Contact
- Voltage Rating: 50 VAC

ENVIRONMENTAL

- Operating Temperature: -55°C to +105°C

MECHANICAL

- Insulator Material: Nylon 46 UL94HB
- Contact Material: Phosphor Bronze
- Plating: Gold over Nickel
- Durability: 5,000 Cycles

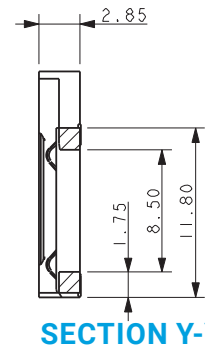
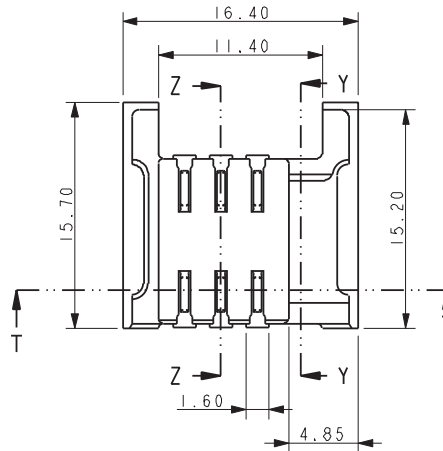
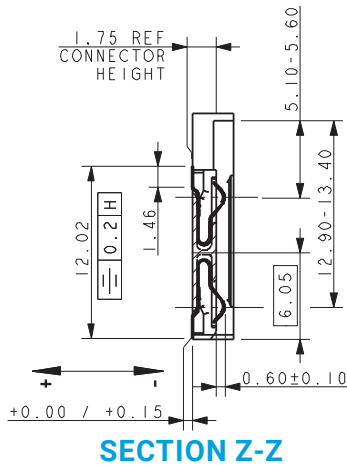
HOW TO ORDER

00	9162	006	2X	6	175	
Prefix	Series	Number of Contacts	SIM Type	Plating Option	Connector Height	
			20 = Standard SMT Foot Slide-in SIM Reader 21 = Narrow SMT Foot Slide-in SIM Reader	6 = Selective Gold Pure Tin Tails	175 = 1.750mm See pages 64 & 65	

SIM CARD CONNECTORS

Slide-In SIM 9162-200

WIDE SMT FOOT VERSION

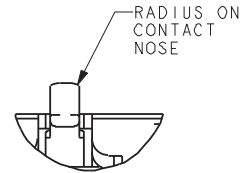
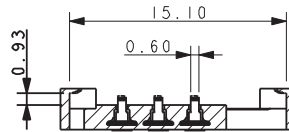


SECTION Z-Z CONTACTS DEFLECTED



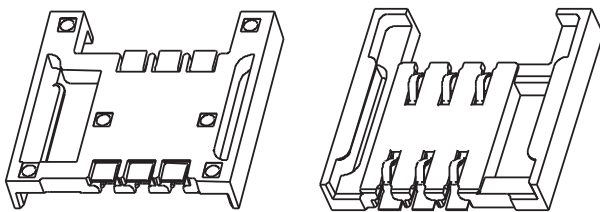
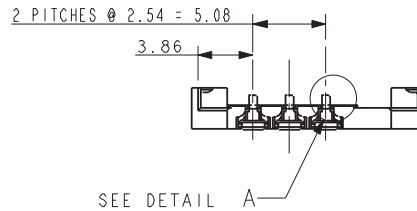
CONTACT TAILS WITHIN 0.10mm COPLANARITY TOLERANCE SINGLE ROW

PART SECTION Z-Z ROTATED THRU 90°

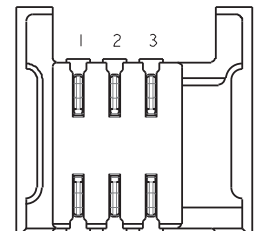
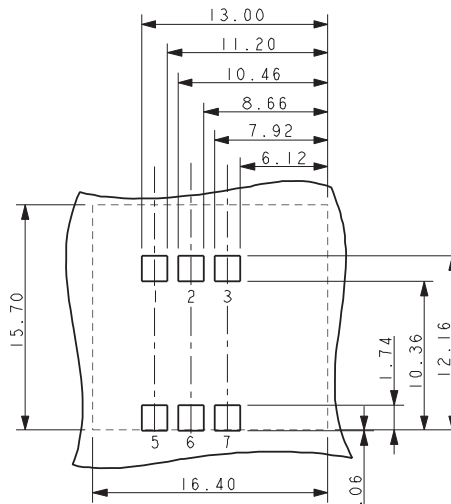


CONTACT FUNCTIONS (ISO78161):

1. SSUPPLY VOLTAGE Vcc.
2. RESET
3. CLOCK
4. GROUND
5. PROGRAM VOLTAGE Vpp.
6. I/O



PAD LAYOUT



SIM ORIENTATION

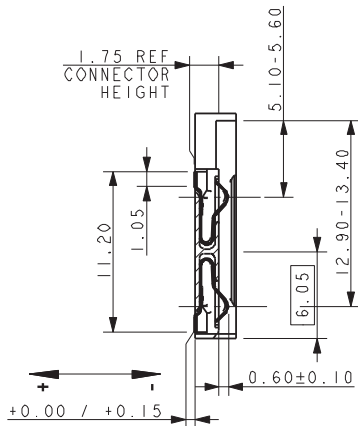
NOTES:

1. SALES DRAWING FOR SLIDE IN SIM READER.
2. FOR PRODUCT SPECIFICATION REFER TO ELCO SPEC. 201-01-085.
3. GENERAL TOLERANCE ± 0.20 UNLESS OTHERWISE STATED.
4. INSULATOR MATERIAL: NYLON GLASS FILLED.
5. CONTACT MATERIAL COPPER ALLOY: SIM CONTACTS NOSE PLATED WITH GOLD, SMT PADS PLATED WITH PURE TIN.
6. PACKING DETAILS SEE PAGE 75.

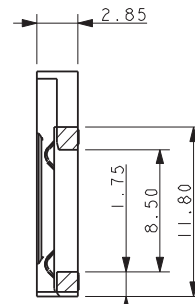
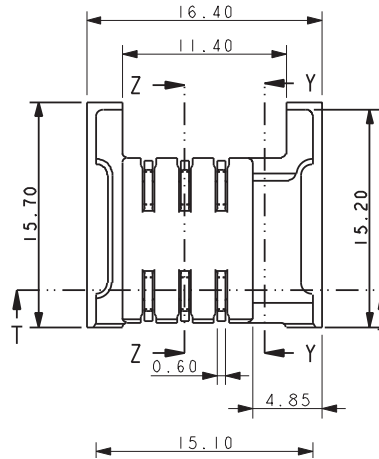
SIM CARD CONNECTORS

Slide-In SIM 9162-200

NARROW SMT FOOT VERSION



SECTION Z-Z

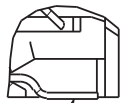


SECTION Y-Y



SECTION Z-Z CONTACTS DEFLECTED

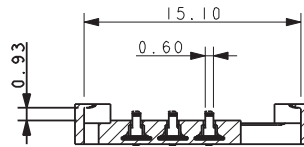
DEFLECT



CONTACT TAILS WITHIN 0.10mm COPLANARITY TOLERANCE SINGLE ROW

PART SECTION Z-Z ROTATED THRO' 90°

PART SECTION Z-Z ROTATED THRO' 90°

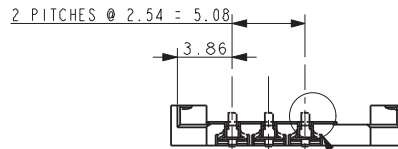


SECTION T-T

RADIUS ON CONTACT NOSE



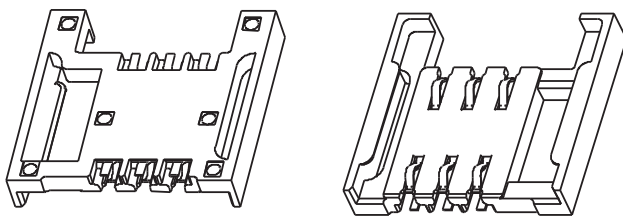
DETAIL A



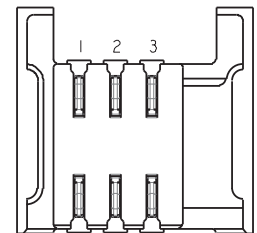
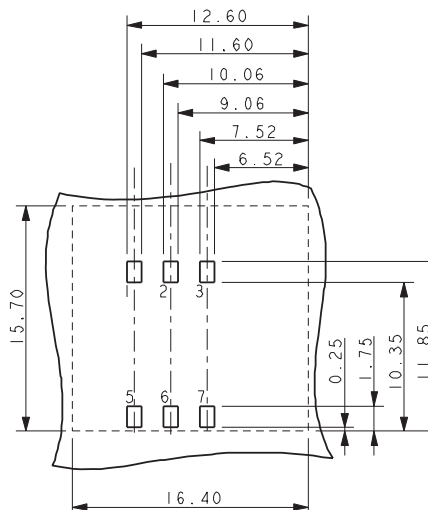
SEE DETAIL A

CONTACT FUNCTIONS (ISO78161):

1. SSUPPLY VOLTAGE Vcc.
2. RESET
3. CLOCK
4. GROUND
5. PROGRAM VOLTAGE Vpp.
6. I/O



PAD LAYOUT



SIM ORIENTATION

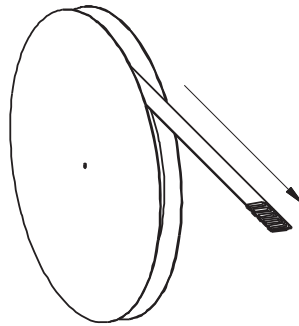
NOTES:

1. SALES DRAWING FOR SLIDE IN SIM READER.
2. FOR PRODUCT SPECIFICATION REFER TO ELCO SPEC. 201-01-085.
3. GENERAL TOLERANCE ± 0.20 UNLESS OTHERWISE STATED.
4. INSULATOR MATERIAL: NYLON GLASS FILLED.
5. CONTACT MATERIAL COPPER ALLOY: SIM CONTACTS NOSE PLATED WITH GOLD, SMT PADS PLATED WITH PURE TIN.
6. PACKING DETAILS SEE PAGE 75.

SIM CARD CONNECTORS

Slide-In SIM 9162-200

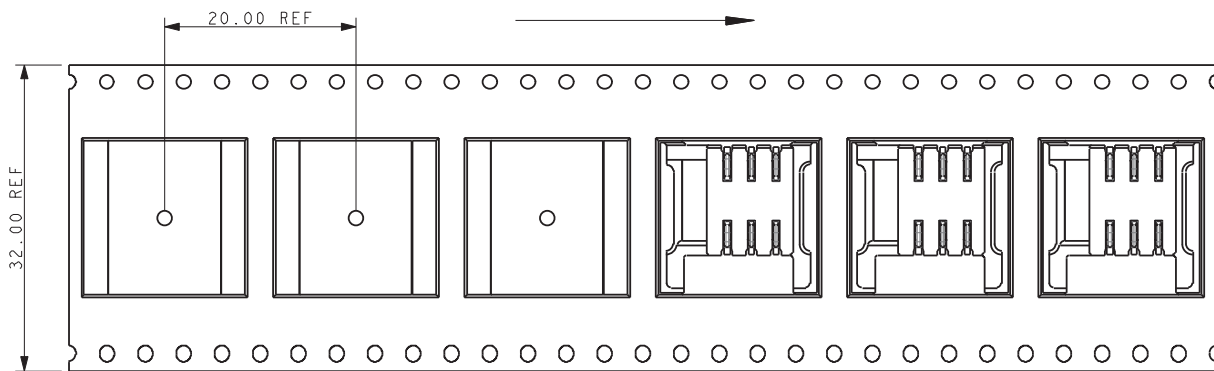
PACKING DETAILS



Reel Size 380mm Dia.

REEL QTY	1100
LEADER	500MM
TRAILER	500MM
REELS/BOX	4
PACK QTY	4400

(SHOWING USER DIRECTION OF FEED)



Mouser Electronics

Authorized Distributor

Click to View Pricing, Inventory, Delivery & Lifecycle Information:

[KYOCERA AVX:](#)

[009162006206175](#) [009162006216175](#)