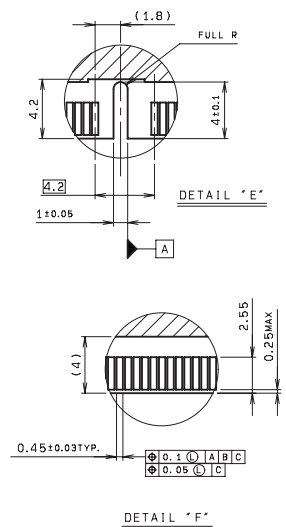
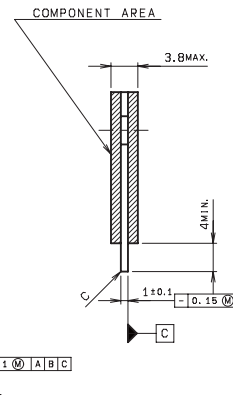
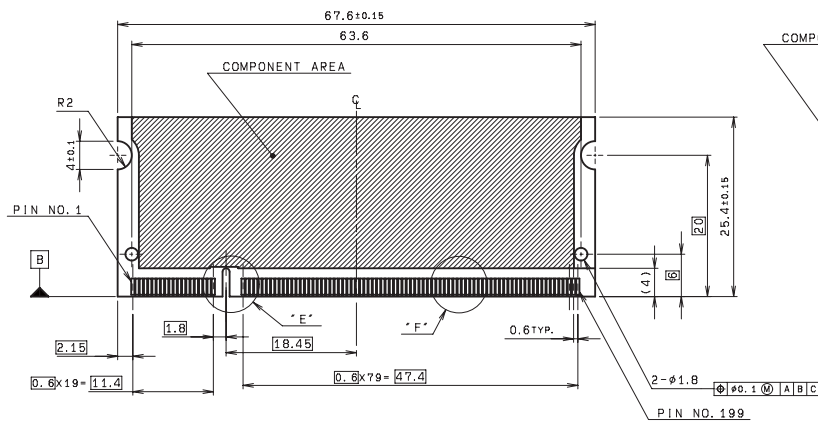
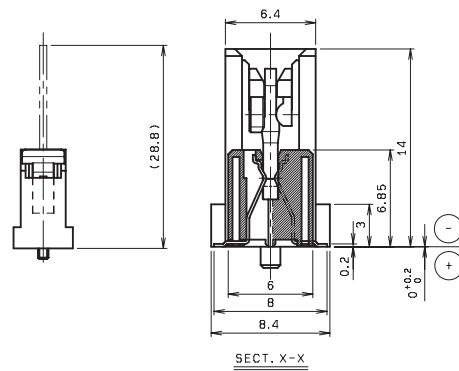
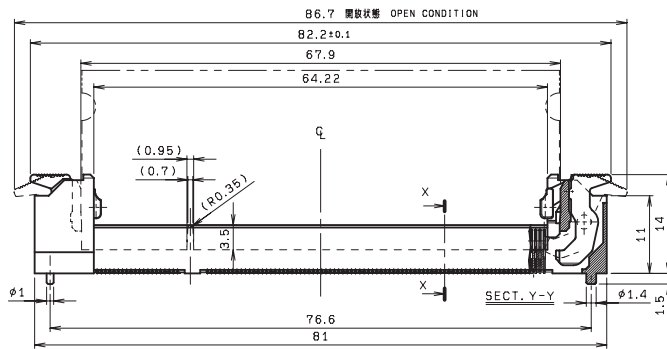
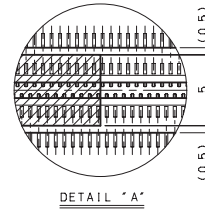
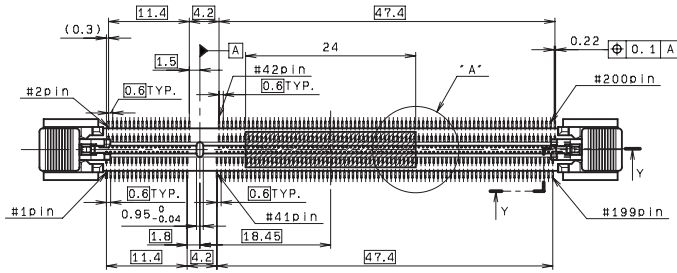


0.6mm Pitch
SERIES

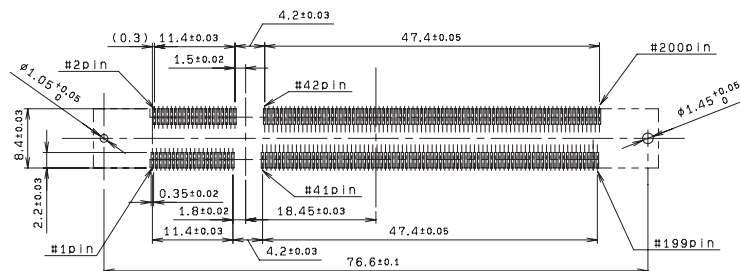
6406

DDR S.O.DIMM ST SMT 200極
DDR S.O.DIMM Vertical SMT 200 Positions

●2.5V



推奨メモリ基板寸法
RECOMMENDED MEMORY BOARD LAYOUT



基板取付寸法
MOUNTING LAYOUT

注文コード ORDERING CODE
29 6406 200 00x 856+

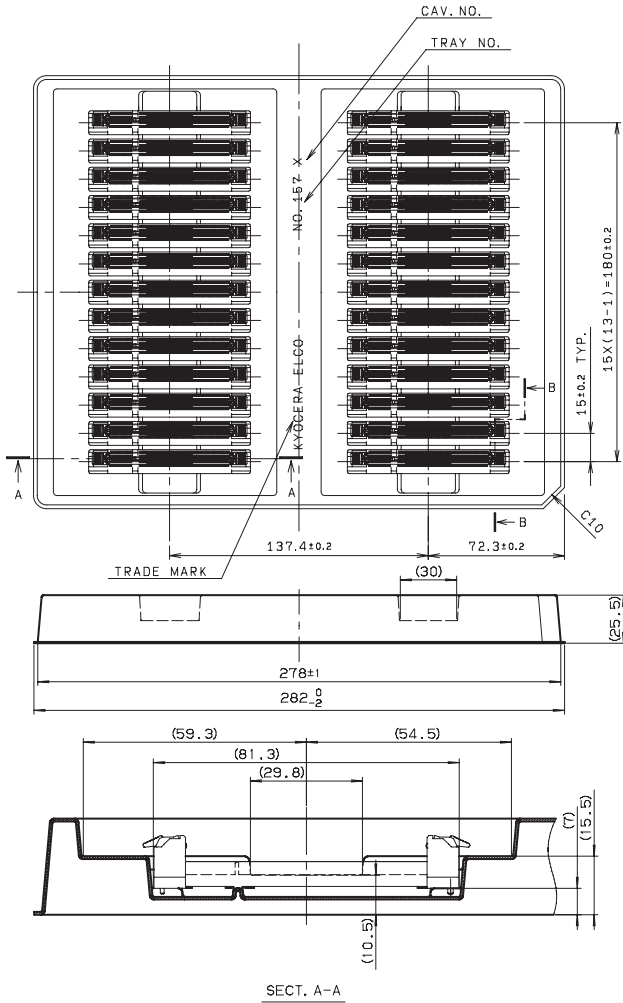
RoHS 対応品
RoHS Compliant Product

0: 吸着テープ無 (Without vacuum tape)
1: 吸着テープ有 (With vacuum tape)

0.6mm Pitch
SERIES

6406

DDR S.O.DIMM ST SMT 200極
DDR S.O.DIMM Vertical SMT 200 Positions



注文コード ORDERING CODE
29 6406 200 x0x 856+

RoHS 対応品
RoHS Compliant Product

- 0: 吸着テープ無 (Without vacuum tape)
- 1: 吸着テープ有 (With vacuum tape)
- 0: 2.5V
- 1: 1.8V

梱包数量：26個/トレイ
PACKING QUANTITY：26/Tray

Mouser Electronics

Authorized Distributor

Click to View Pricing, Inventory, Delivery & Lifecycle Information:

[AVX:](#)

[296406200101856+](#)