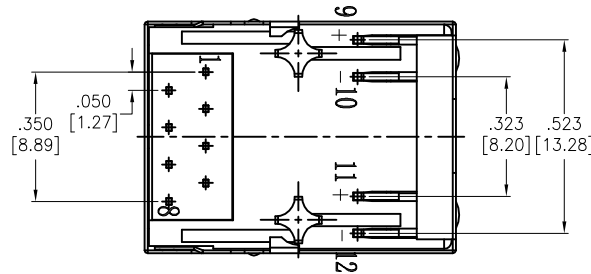
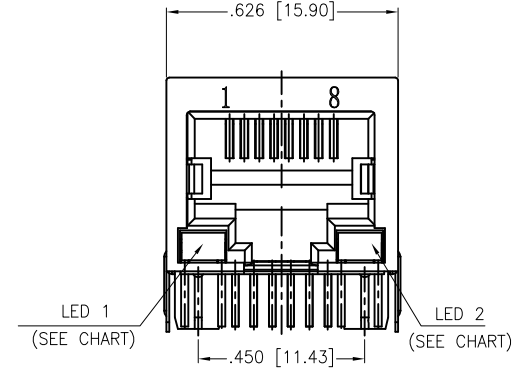
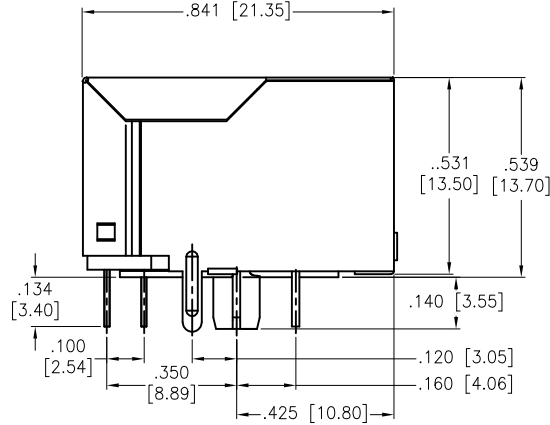
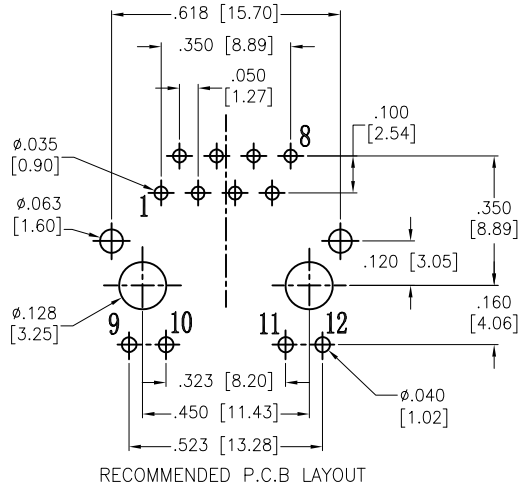


APPROVED: _____
 DATE: _____ TITLE: _____

Rev	AWO #	Description	Date	Appr
-		RELEASED	9/2/15	
A		UPDATE SPEC.	9/14/18	AY/RT



SPECIFICATIONS:

Material:
 Insulator: PBT, glass filled, rated UL 94V-0
 Insulator color: Black
 Contacts: Phosphor Bronze
 Shield: Brass, Nickel plated
 Contact Plating:
 Round contact
 Gold over Nickel underplate overall
 Flat contact
 Gold over Nickel underplate on contact area
 Matte Tin over Nickel underplate on solder tails

Electrical:
 Voltage rating: 150 VAC RMS
 Current rating: 1.5 Amp
 Contact Resistance: 20 mohms max
 Insulation resistance: 1,000 Mohms min @ 500 VDC
 Dielectric withstanding voltage:
 Contact to Contact: 1,000 VDC or AC Peak for 1 minute
 Contact to Screen and Test panel: 1,500 VDC or AC Peak for 1 minute
 Temperature Rating:
 Operating temperature: -40°C to +85°C
 Environmental:
 Lead free, RoHS compliant.



Part Number	LED 1 Color	LED 2 Color
MTJ-88TX1-FSD-LD	Green	Green
MTJ-88TX1-FSD-LG	Yellow	Green
MTJ-88TX1-FSD-LH	Green	Yellow
MTJ-88TX1-FSD-LP	Yellow/Green	Yellow/Green
MTJ-88TX1-FSD-LV	Green	Yellow/Green
MTJ-88TX1-FSD-L16	Green/Yellow	Green/Yellow

UNLESS OTHERWISE SPECIFIED
 ALL DIMENSIONS ARE INCHES [MM]
 TOLERANCES: EXCEPT AS NOTED
 INCHES HOLES
 .X ± .10 Ø.X ± .10
 .XX ± .020 Ø.XX ± .015
 .XXX ± .015 Ø.XXX ± .010

APPROVALS		DATE
DRAWN	AY	9/2/15
CHECKED	NC	9/2/15
APPROVED		

ADAM TECH
 INTERCONNECTS
 909 Rahway Avenue,
 Union, NJ 07083
 Phone: 908-687-5000
 Fax: 908-687-5710

TITLE MODULAR JACK GANGED, 1 PORT, 8P8C, W/LED'S		
SIZE X	PART NO. MTJ-88TX1-FSD-LX	REV. A
REF: S00005C	SCALE: NTS	SHEET 1 OF 1

Mouser Electronics

Authorized Distributor

Click to View Pricing, Inventory, Delivery & Lifecycle Information:

[Adam Tech:](#)

[MTJ-88TX1-FSD-LG](#)