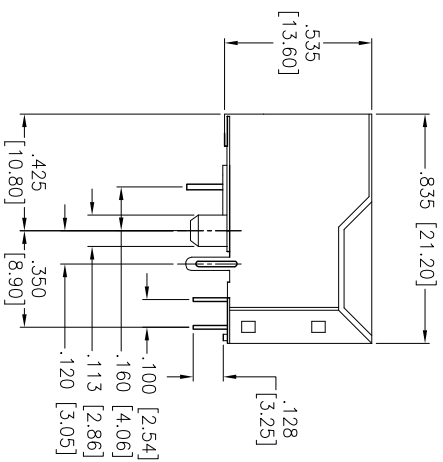
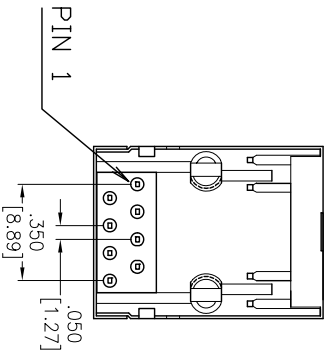
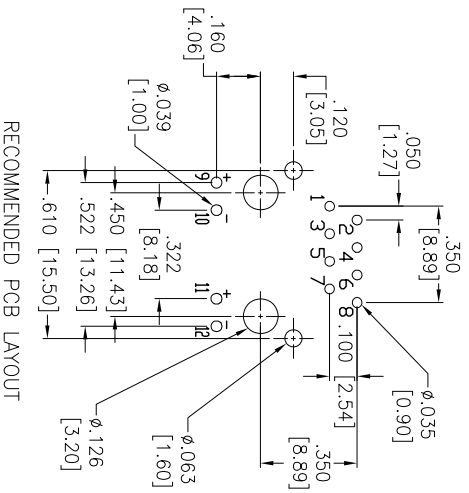


APPROVED: \_\_\_\_\_ DATE: \_\_\_\_\_ TITLE: \_\_\_\_\_

Rev	AWO #	Description	Date	Appr
-		RELEASED	9/3/15	



RECOMMENDED PCB LAYOUT

Part Number	LED 1 Color	LED 2 Color
MTJ-88GX1-FSD-LD	Green	Green
MTJ-88GX1-FSD-LG	Yellow	Green
MTJ-88GX1-FSD-LH	Green	Yellow
MTJ-88GX1-FSD-LP	Yellow/Green	Yellow/Green
MTJ-88GX1-FSD-LV	Green	Yellow/Green
MTJ-88GX1-FSD-L16	Green/Yellow	Green/Yellow

**ADAM TECH**

909 Rahway Avenue, Union, NJ 07083  
Phone: 908-687-5000 Fax: 908-687-5710

MODULAR JACK GANGED, 1 PORT, 8P8C

W/LEDs

**SPECIFICATIONS:**  
Material: Insulator: PBT, Glass reinforced rated UL 94V-0  
Insulator color: Black  
Contacts: Phosphor Bronze  
Shield: Copper Alloy, Nickel plated  
Contacts Plating:  
Flat contact  
Gold over Nickel underplate on contact area,  
Tin over Copper underplate on solder tails  
Round contact  
Electrical:  
Operating voltage: 150 VAC max  
Current rating: 1.5 Amps max  
Contact resistance: 20 mohms max  
Insulation resistance: 500 Mohms min @ 500 VDC  
Dielectric withstanding voltage: 1500 VAC for 1 minute  
Temperature Rating:  
Operating temperature: -40°C to +85°C  
Environmental:  
Lead free, RoHS compliant.



UNLESS OTHERWISE SPECIFIED ALL DIMENSIONS ARE INCHES [MM] TOLERANCES: EXCEPT AS NOTED	
.X	± .10
.XX	± .020
.XXX	± .015
.XXX	± .010
APPROVALS	
DRAWN	AY
CHECKED	NC
APPROVED	

SIZE	PART NO.	REV.
X	MTJ-88GX1-FSD-LX	-
REF:	S00063T	
SCALE:	INTS	
SHEET	1 OF 1	

# Mouser Electronics

Authorized Distributor

Click to View Pricing, Inventory, Delivery & Lifecycle Information:

[Adam Tech:](#)

[MTJ-88GX1-FSD-L16](#)