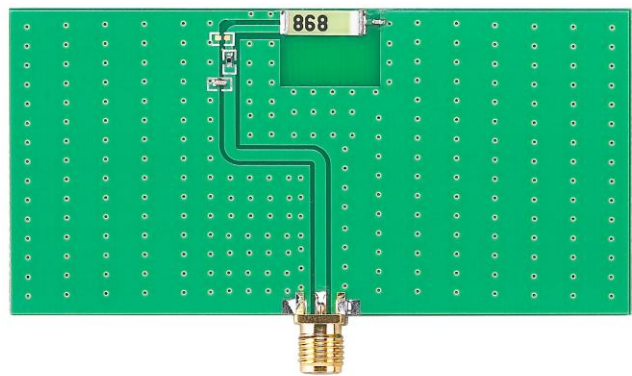


SPECIFICATION

- Part Number : **ILA.02**
- Product Name : Low Profile and High Efficient 868 MHz ISM Band Loop Antenna
- Features : Small size antenna, low profile, and high efficiency
868 MHz ISM Band
1 dBi Peak Gain
10 x 3.2 x 0.5 mm size
SMT Compatible
RoHS Compliant



1. Introduction

The ILA.02 is a 868 MHz ISM band antenna featuring an excellent efficiency of 60% across the band. This antenna works the best when placed at the center of the board edge. The antenna, at 10 x 3.2 x 0.5 mm, is low profile and would be suitable for devices with space constraints. The ILA.02 is delivered on tape and reel and now allows M2M customers to use an omni-directional SMT antenna. The omni-directional radiation characteristics allow for excellent performance regardless of device orientation. This is especially useful for devices that are not fixed in one particular spot during use. When there is little PCB space available for antenna placement, but high performance is required, the ILA.02 is the ideal choice. The ILA.02 Loop antenna can be used in automated meter reading (AMR), radio frequency identification (RFID), remote monitoring, healthcare, sensing, and other 868 MHz applications.

2. Specification

ELECTRICAL	
ANTENNA	ILA.02
STANDARD	868 MHz ISM
Operation Frequency (MHz)	868-870 MHz
Polarization	Linear
Impedance	50 Ohms
Max VSWR	1.5:1
Max Return Loss (dB)	-17
Peak Gain	1 dBi
Efficiency (%)	60 typ.
Average Gain (dB)	-3
Radiation Properties	Omni-directional
Max Input Power	5 W

* The ILA.02 antenna performance was measured with 80x40 mm ground plane.

MECHANICAL	
Dimensions (mm)	10x3.2x0.5
Required Space (mm)	11x10.4
Material	Ceramic
EVB Connector	SMA(F)

ENVIRONMENTAL	
Operation Temperature	-40°C to 85°C
Storage Temperature	-40°C to 105°C
Relative Humidity	40% to 95%
RoHs Compliant	Yes

3. Test Setup

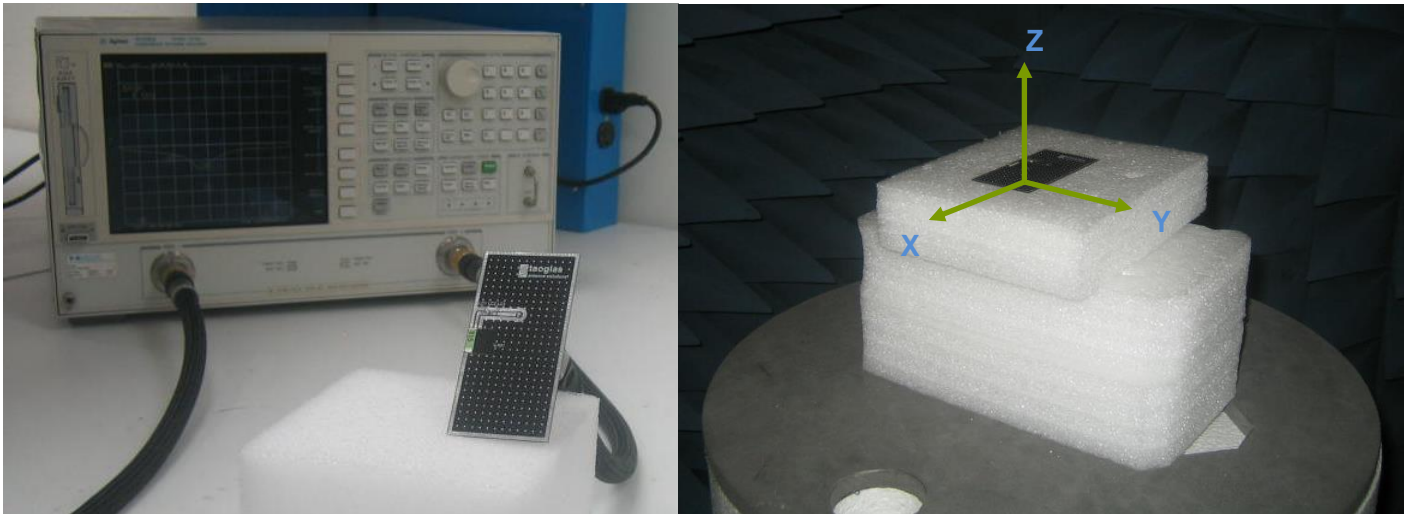


Figure 1. Impedance measurements (left hand) and peak gain, average gain, efficiency and radiation pattern measurements (right hand)

4. Antenna Parameters

4.1. Return Loss

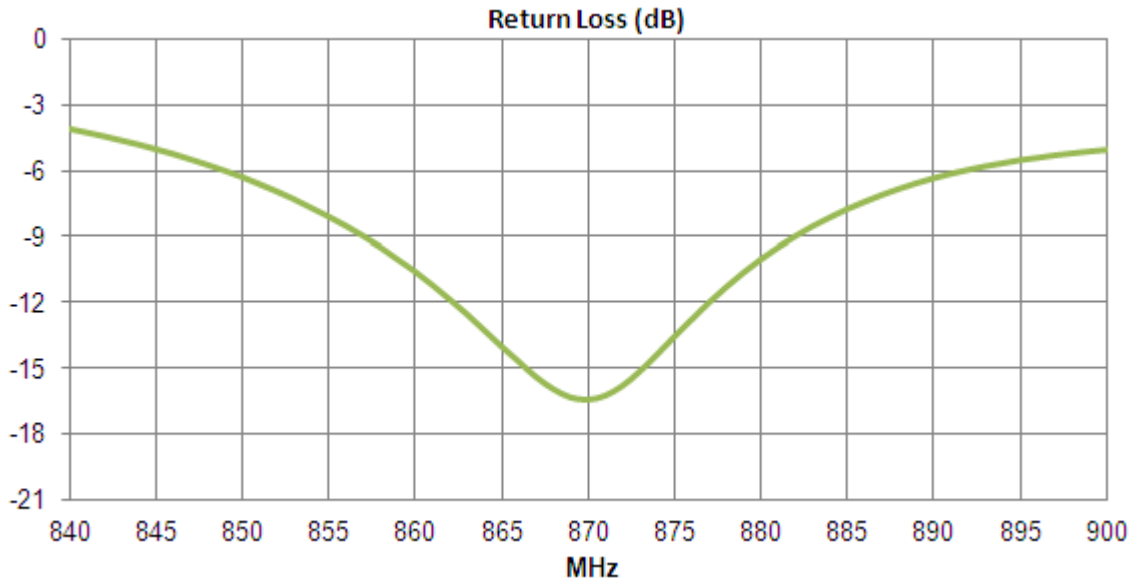


Figure 2. Return loss of 868 MHz ISM Band Antenna ILA.02

4.2. VSWR

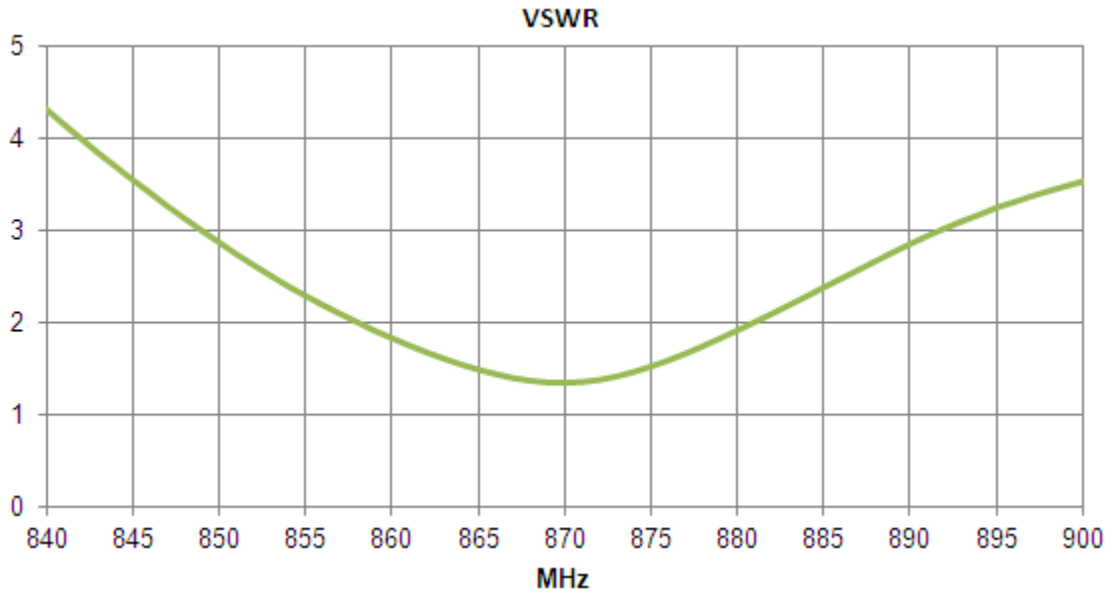


Figure 3. VSWR of 868 MHz ISM Band Antenna ILA.02

4.3. Efficiency

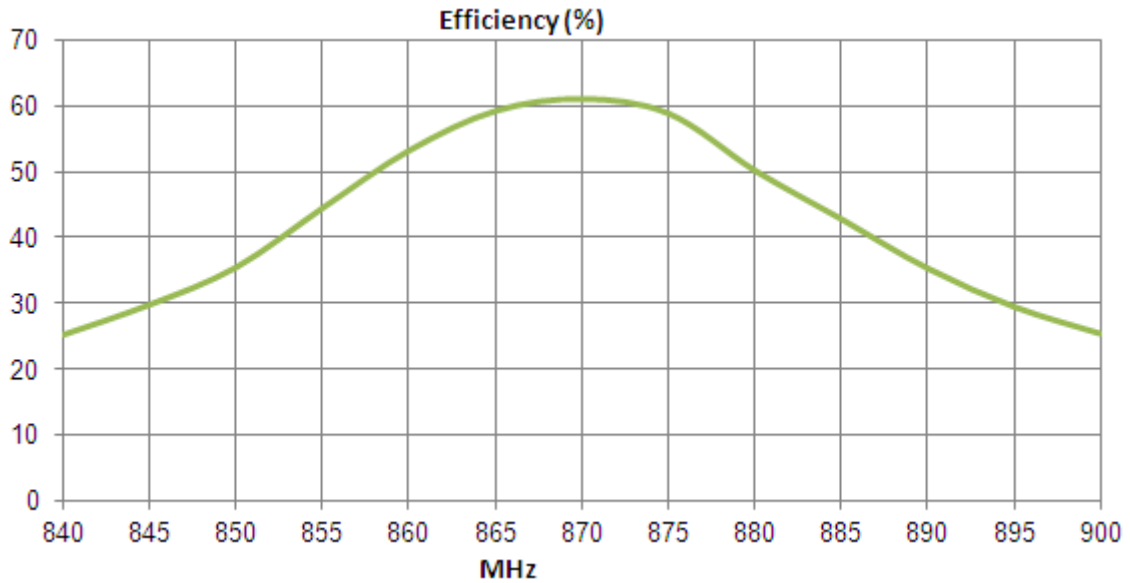


Figure 4. Efficiency of 868 MHz ISM Band Antenna ILA.02

4.4. Peak Gain

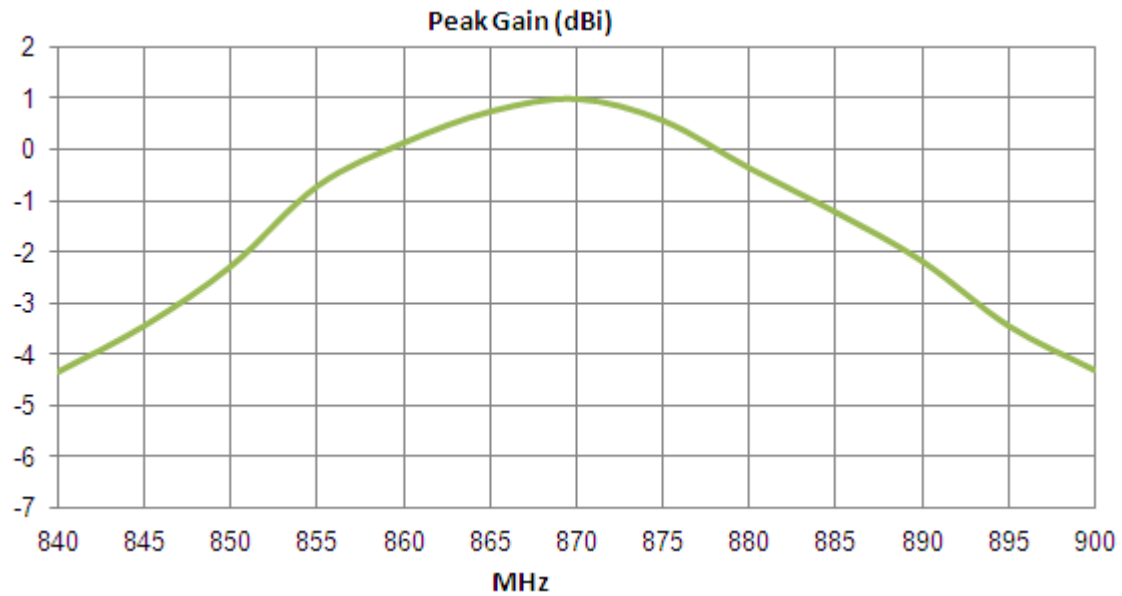


Figure 5. Peak Gain of 868 MHz ISM Band Antenna ILA.02

4.5. Average Gain

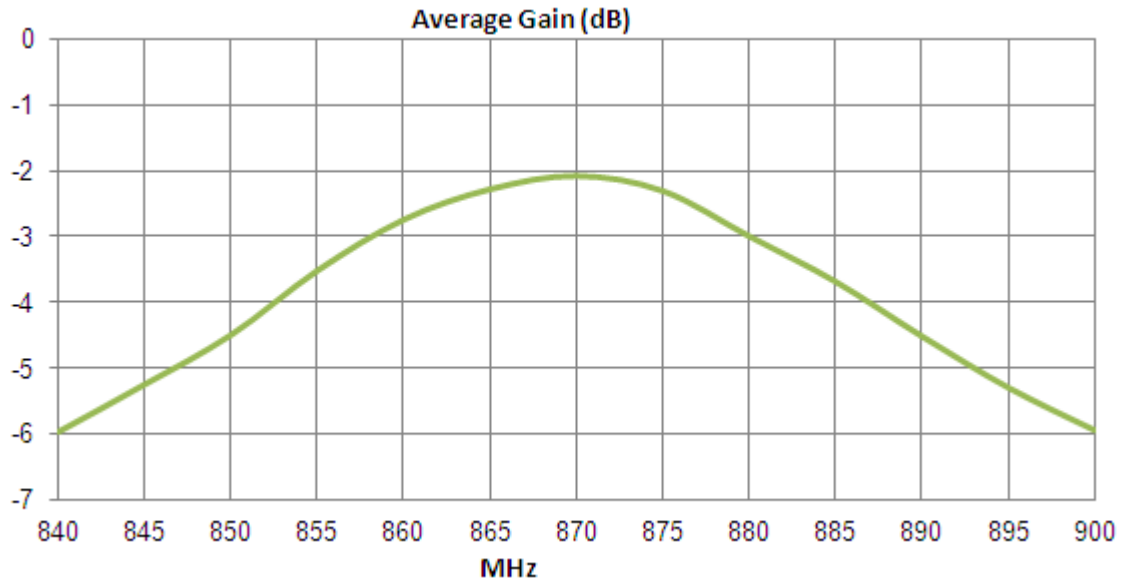


Figure 6. Average Gain of 868 MHz ISM Band Antenna ILA.02

4.6. Radiation Pattern

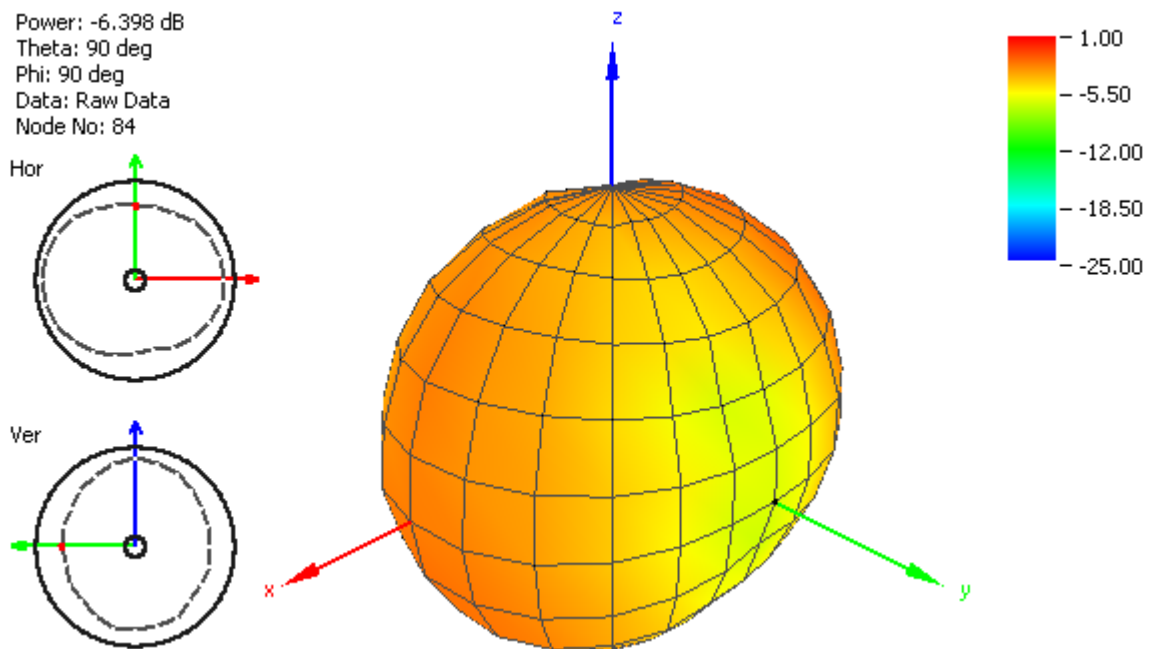


Figure 7. Radiation Pattern at 868 MHz of the ILA.02 Antenna

5. Layout Guide

5.1 Solder Land pattern

Land pattern for soldering is as shown below. A matching circuit similar to the one shown in section 5.3 is also required.

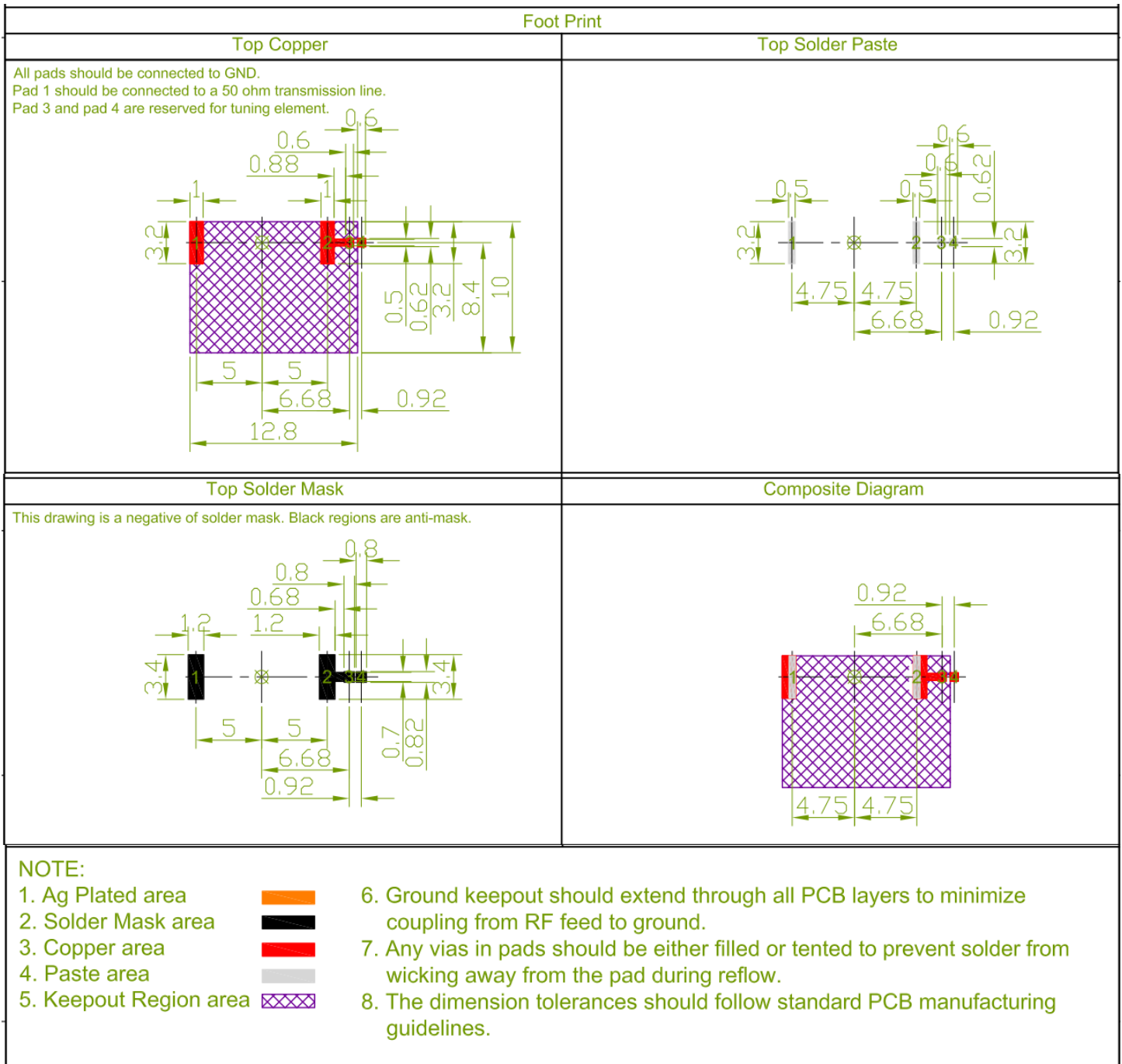


Figure 8. Foot Print Drawing of the ILA.02 Antenna

5.2 Matching Circuit

Like all antennas, surrounding components, enclosures, and changes to the GND plane dimensions can alter performance. A pi-matching network like the one shown below is required in case adjustments need to be made. The antenna EVB has a similar matching network. The components on the EVB are a good starting point for a new design, but will need to be adjusted upon integration for best performance. The zero ohm resistor is needed for the ability to solder down a coax pigtail to make measurements with a vector network analyzer.

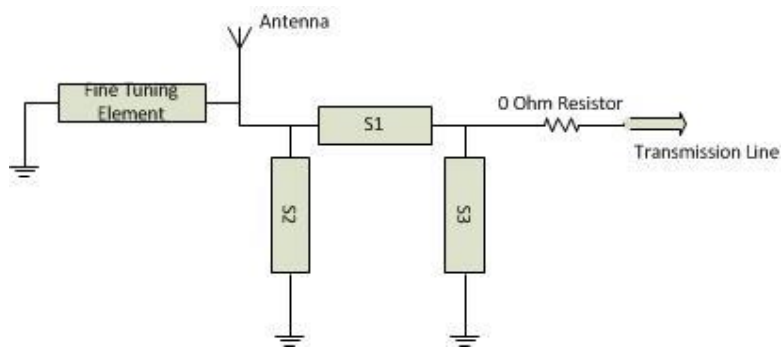
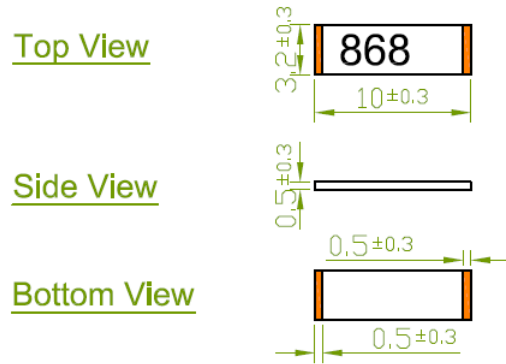


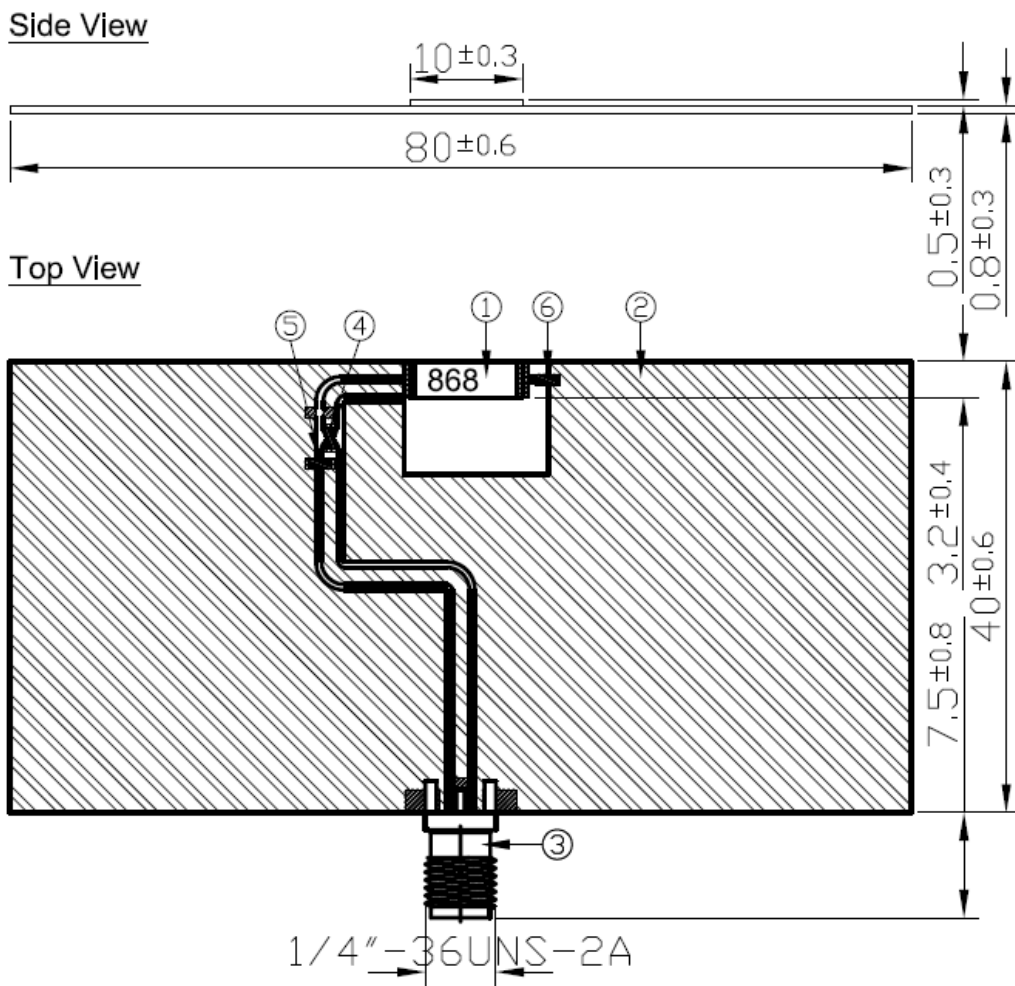
Figure 9. Matching Circuits Block Diagram.

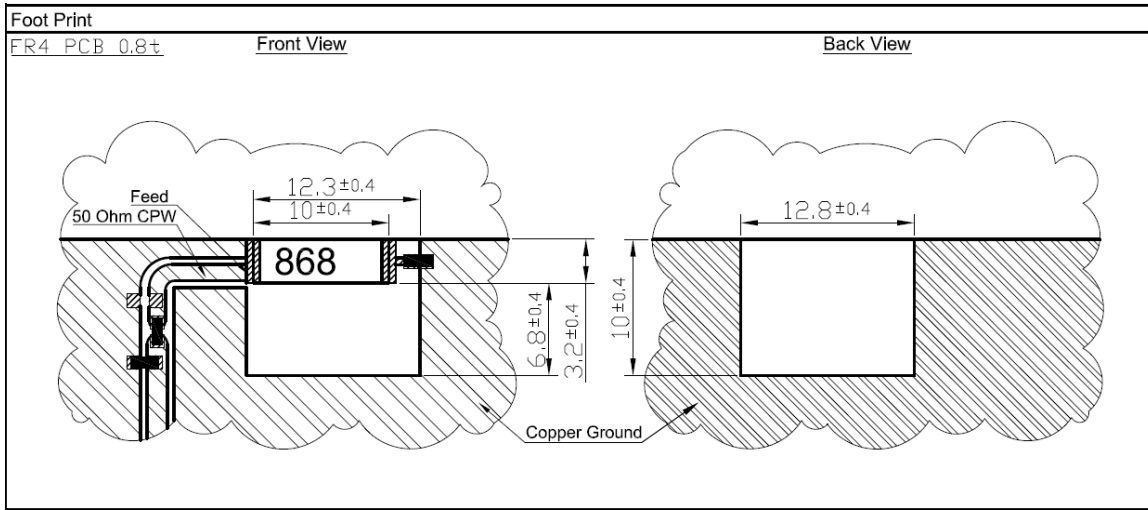
6. ANTENNA DRAWINGS

Antenna Main Body


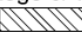

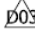


Antenna with EVB





NOTES:

1. Solder Area 
2. Logo & Text Ink Printing : Black
3.  Copper
4.  Matching Component
5. Component 6 is the tuning element of this antenna. 

	Name	P/N	Material	Finish	QTY
1	ILA.02 Antenna	001513C000012A	Ceramic	N/A	1
2	ILA EVB Board	100213F000012A	FR4 0.8t	Green	1
3	SMA(F) ST	200413F000012A	Brass	Gold	1
4	Resistor 0Ω (0402)	001511J010012A	Ceramic	N/A	1
5	Capacitor 5pF (0402)	001514F030012A	Ceramic	N/A	1
6	Capacitor 15pF (0402)	001514F040012A	Ceramic	N/A	1

Figure 10. Drawing of the ILA.02 Antenna

7. Recommended Reflow Temperature Profile

The ILA.02 Loop Antenna can be assembled following either Sn-Pb or Pb-Free assembly processes. The recommended soldering temperatures are as follows:

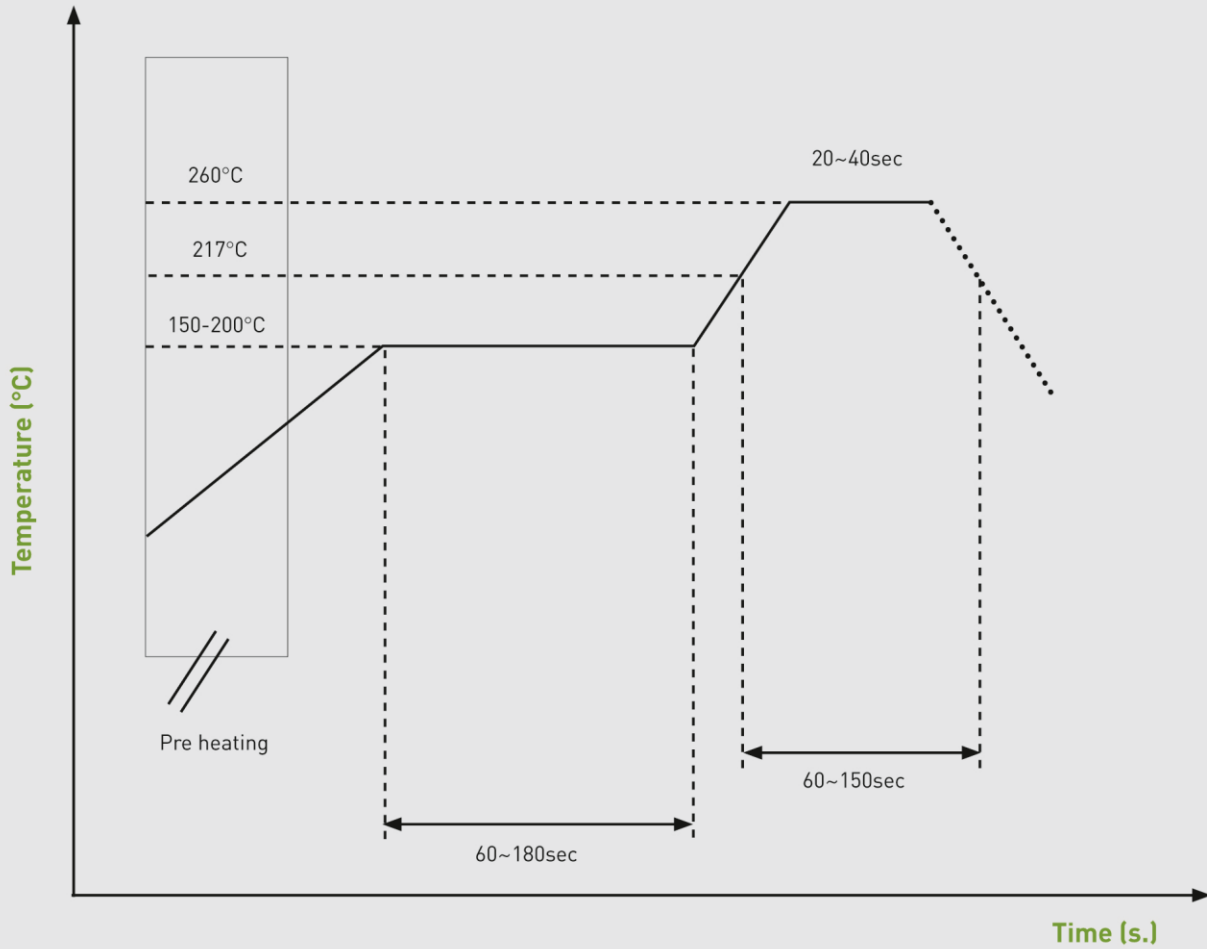


Figure 11. Reflow Temperature Recommendation

8. PACKAGING

The ILA.02 antennas are delivered in tape and reel with EIA 481-B polystyrene with 6000 pieces per reel.

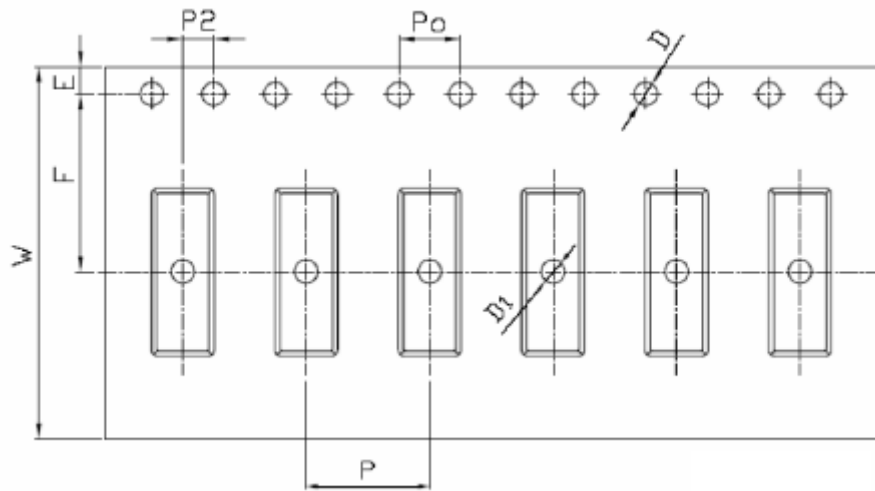


Figure 12. Tape description for the ILA.02.

Symbol	Spec
w	24.0+/- 0.30
P	8.0+/- 0.10
E	1.75+/- 0.10
F	11.5+/- 0.10
P2	2.0+/- 0.10
D	1.5+/- 0.10
D1	1.5+/- 0.10
Po	4.0 +/- 0.10
10Po	40 +/- 0.20
As	3.4 +/- 0.10
Bo	10.20+/-0.10
Ko	0.7+/- 0.10
t	0.3+/- 0.05

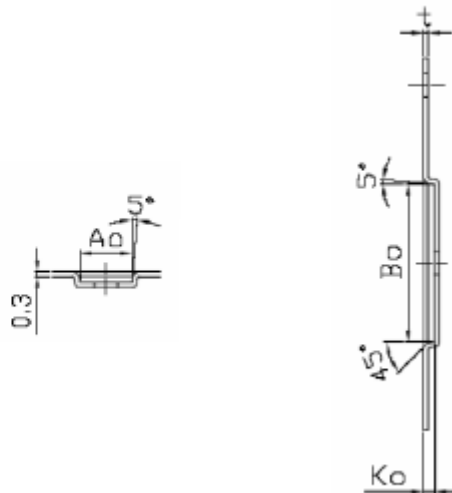


Figure 13. Tape dimensions for the ILA.02.

Mouser Electronics

Authorized Distributor

Click to View Pricing, Inventory, Delivery & Lifecycle Information:

[Taoglas:](#)

[ILA.02](#)