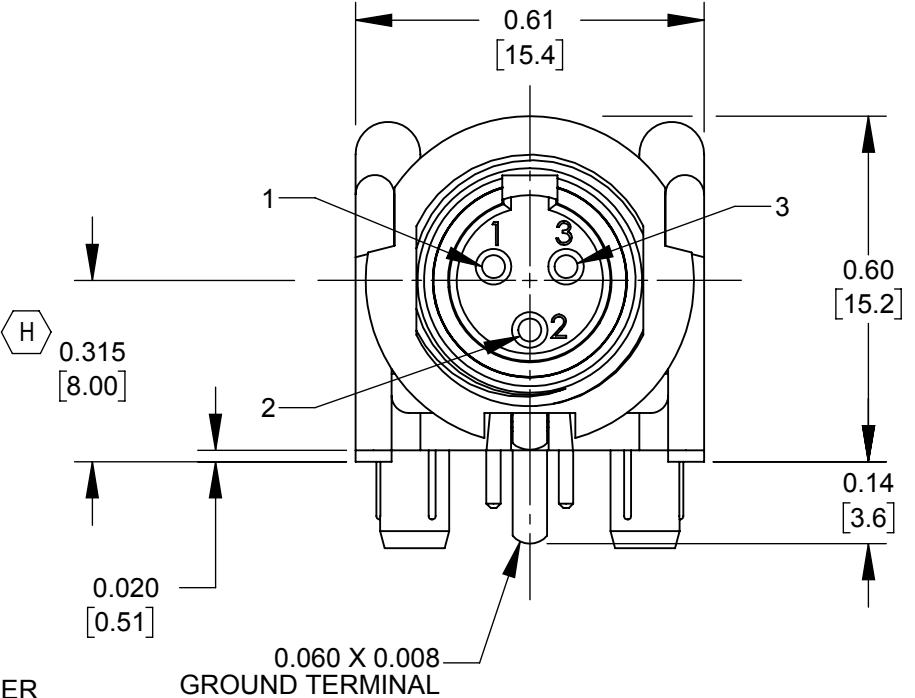
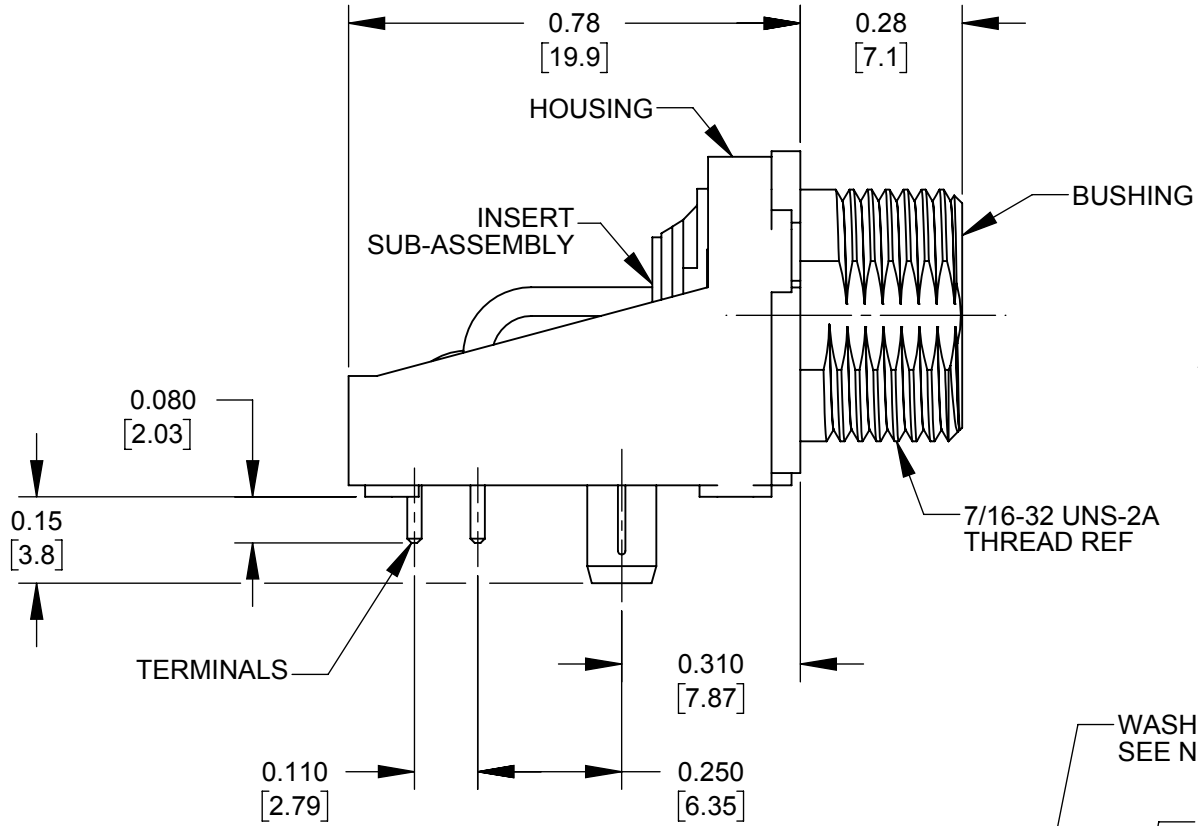
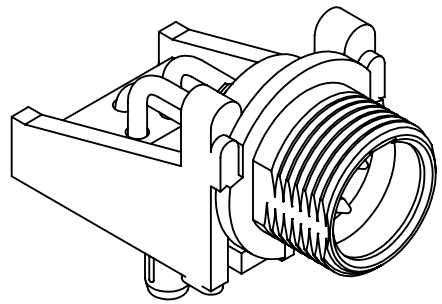
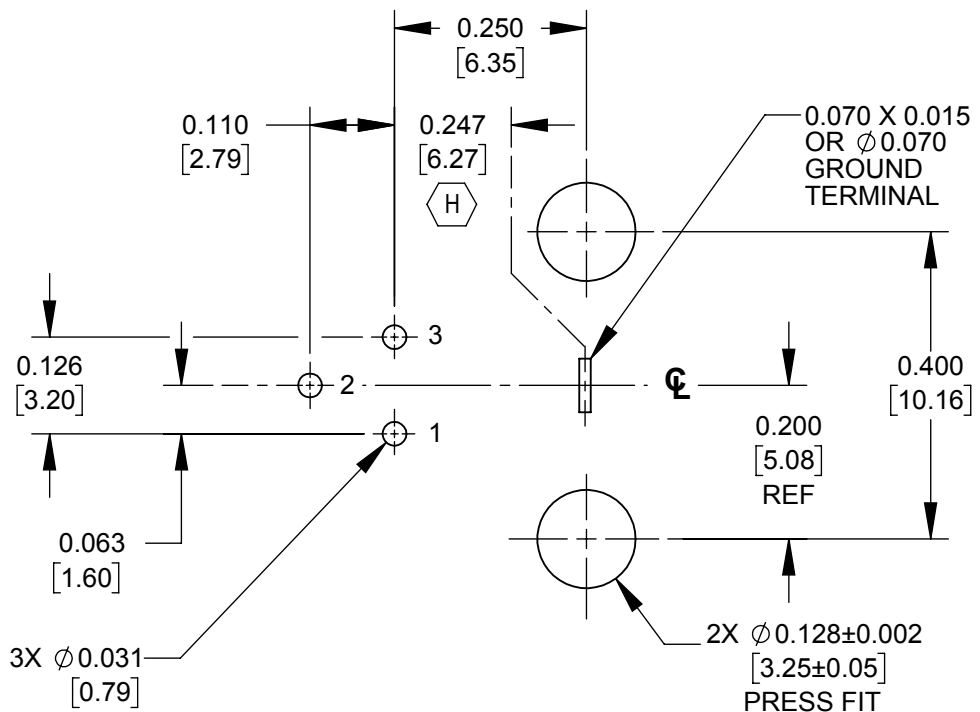


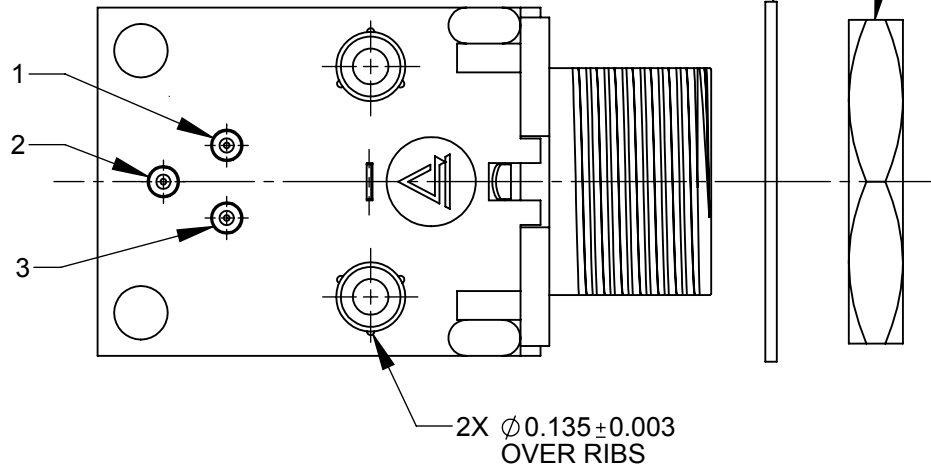
3X $\phi 0.025$
PC TERMINALS



- NOTES:
- MATERIALS:
BUSHING - ZINC ALLOY, NICKEL PLATED
HOUSING - THERMOPLASTIC, BLACK
CONTACTS - COPPER ALLOY, TIN PLATED - TRA3M
GOLD PLATED - TRA3MAU
GROUND TERMINAL - SPECIAL COPPER ALLOY, TIN PLATED
HARDWARE - COPPER ALLOY, NICKEL PLATED
 - ELECTRICAL SPECIFICATIONS:
CURRENT RATING - 5A
CONTACT RESISTANCE - 0.010 OHM MAX
INSULATION RESISTANCE - 100 MEGA OHMS MIN
DIELECTRIC WITHSTANDING VOLTAGE - 250 VAC
MECHANICAL LIFE - 2000 CYCLES
 - HARDWARE SHIPPED UNASSEMBLED.
 - THIS PRODUCT IS RoHS COMPLIANT.



RECOMMENDED PC BOARD LAYOUT
COMPONENT SIDE



CUSTOMER DRAWING

REV	ECO NUMBER	DATE	BY	APVD
H	27650 REDRAWN	2-1-16	TO	TJK
REVISIONS				

UNLESS OTHERWISE SPECIFIED

1. ALL DIMENSIONS IN INCHES

- TWO PLACE DECIMALS ± 0.02

- THREE PLACE DECIMALS ± 0.005

DO NOT SCALE DRAWING

THIS DRAWING DESCRIBES A DESIGN CONSIDERED PROPRIETARY IN NATURE, DEVELOPED AND MANUFACTURED BY SWITCHCRAFT INC. AND IS RELEASED ON A CONFIDENTIAL BASIS FOR IDENTIFICATION PURPOSES ONLY.									
SIZE	WIDTH	MULT	LBS/M	TEMPER					
FINISH					MATERIAL				
SPEC No.					SPEC No.				
FIRST USED ON				SCALE					
				3:1					
DATE DRAWN	BY	CHKD	APVD						
7-6-92	MW	MW	GHJ						
			827-92	8-27-92					
NAME								PART No.	
TINI Q-G MALE CONNECTOR								TRA3M SERIES	
R.A.P.C. 3 PIN MALE, RoHS								REV	
								H	

Mouser Electronics

Authorized Distributor

Click to View Pricing, Inventory, Delivery & Lifecycle Information:

[Switchcraft:](#)

[TRA3M](#)