

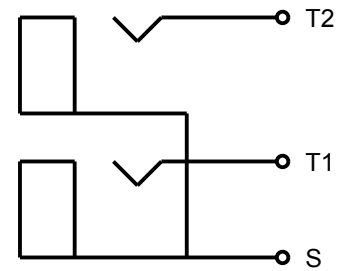
NOTES:

1. ALL DIMENSIONS ARE REFERENCE.

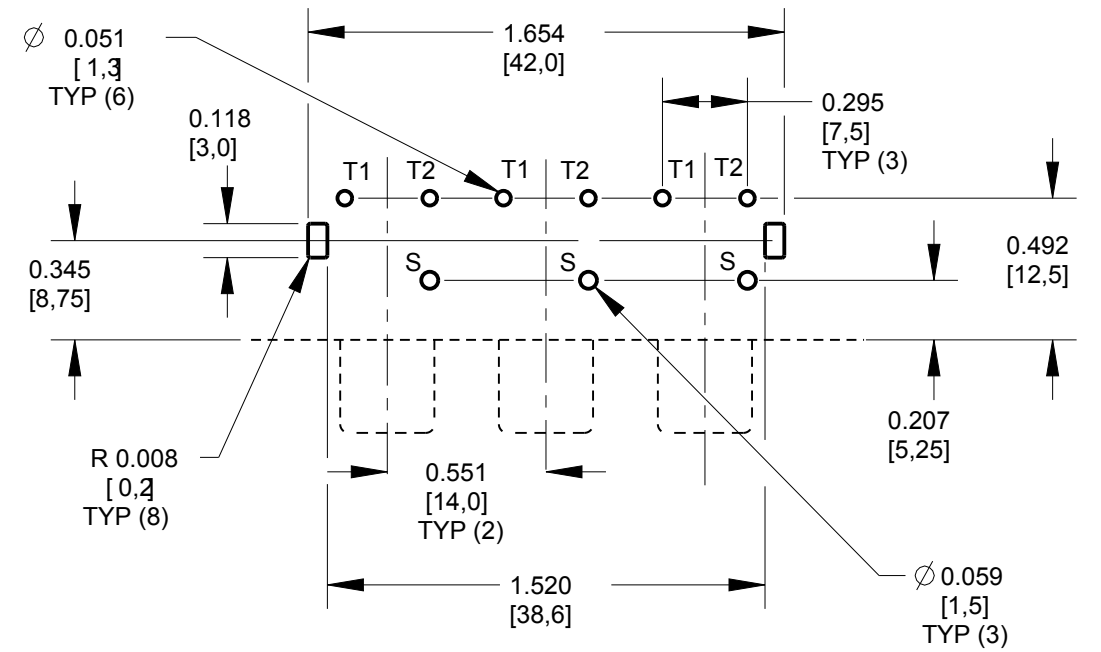
2. MATERIALS:

- C HOUSING: ABS OR PBT, UL-94HB, BLACK
- C COLOR INSERTS: POM OR PBT, UL-94HB
- C INSULATORS: POM OR PBT, UL-94HB
- SHELL & SLEEVE TERMINAL: COPPER ALLOY, NICKEL OR GOLD PLATED
- TIP TERMINALS: COPPER ALLOY, TIN PLATED
- FRONT PLATES: COPPER ALLOY, NICKEL PLATED

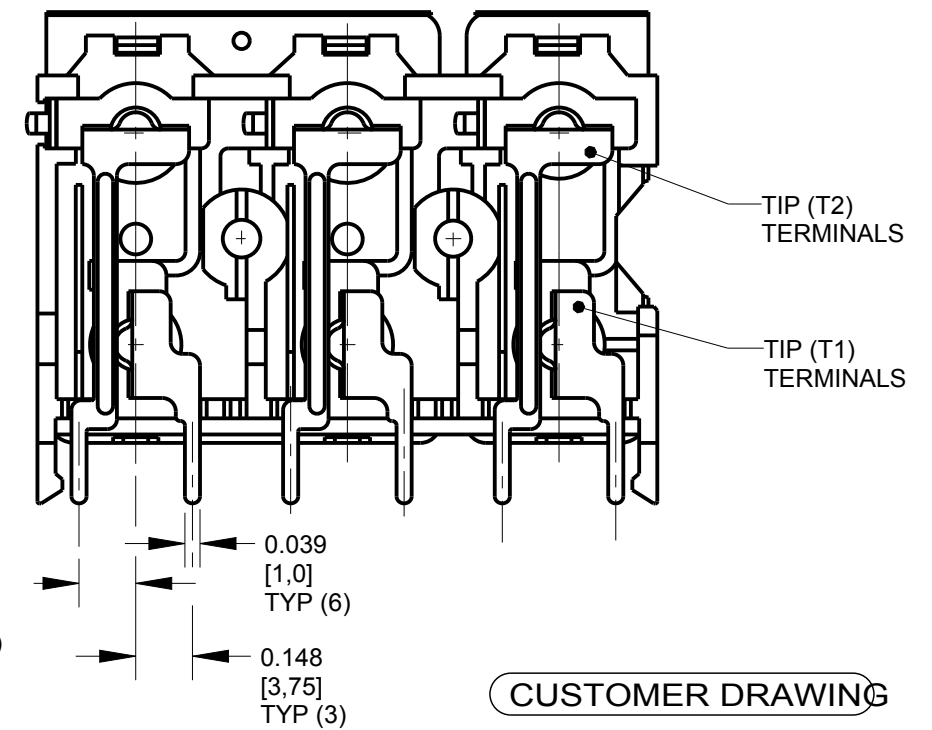
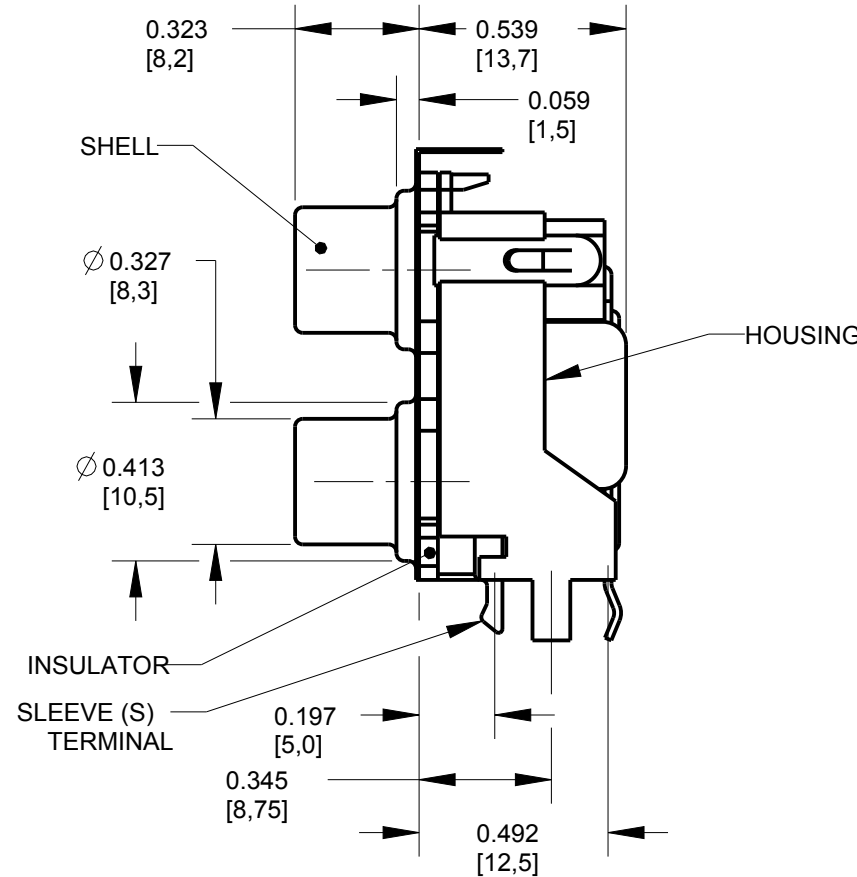
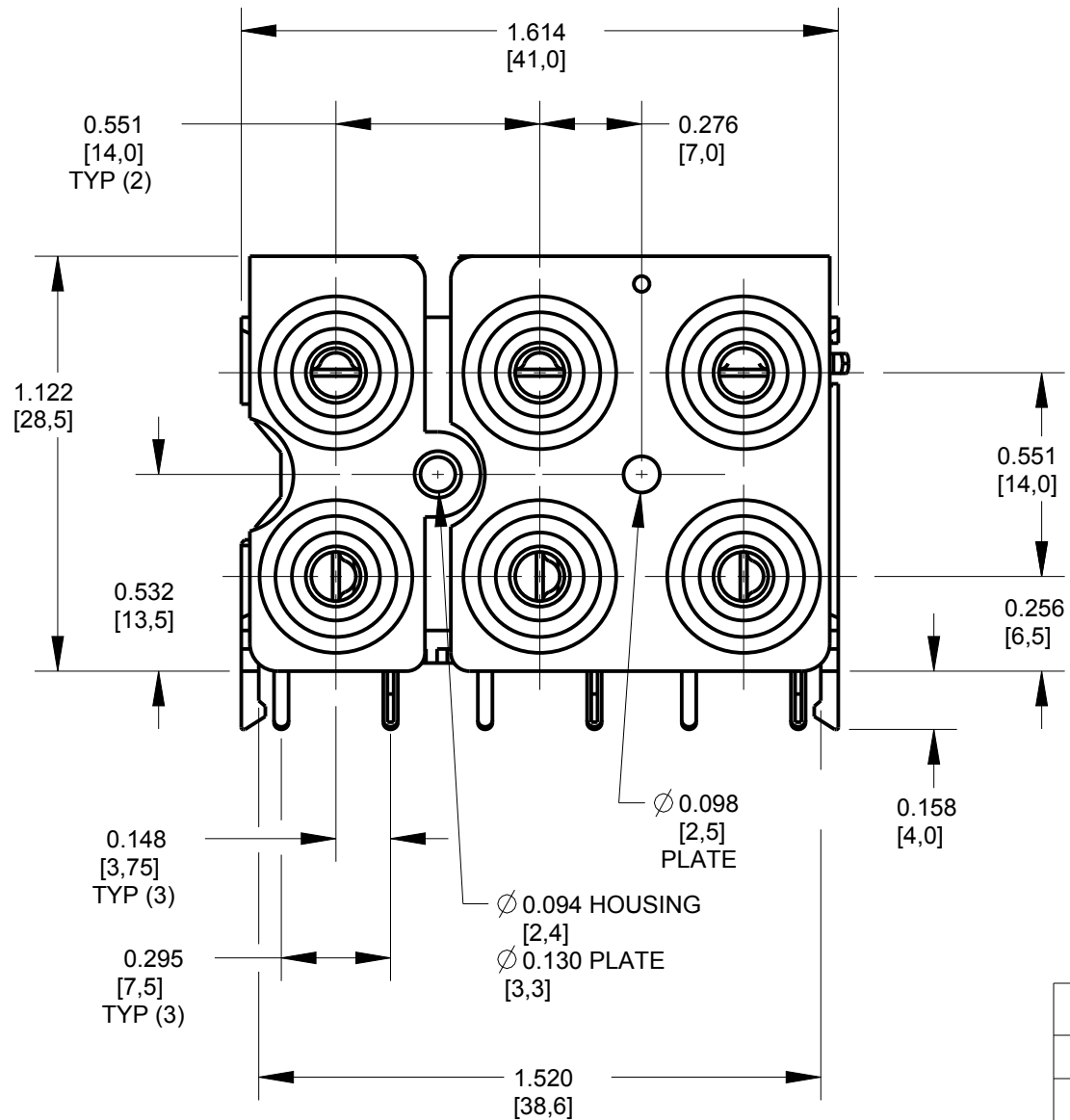
3. THIS PART IS RoHS COMPLIANT



SCHEMATIC
TYP (3) JACKS



P.C. BOARD LAYOUT
COMPONENT SIDE



CUSTOMER DRAWING

REV	ECO NUMBER	DATE	BY	APVD
C	27929	08-17-17	PC	TJK
B	25610	4-11-07	TJK	TJK
A	25181	1-12-06	JL	TJK

★ STAR SYMBOL DENOTES CRITICAL DIMENSION

UNLESS OTHERWISE SPECIFIED

1. ALL DIMENSIONS IN INCHES
 -TWO PLACE DECIMALS ±0.01
 -THREE PLACE DECIMALS ±0.005
 -ANGLES ±1°
 -ALL DIA. CONCENTRIC WITHIN 0.005 T.I.R.

2. FEATURES ON THE SAME CENTERLINE MUST BE ALIGNED WITHIN ±0.002

3. REMOVE ALL BURRS

DO NOT SCALE DRAWING

SIZE		WIDTH	MULT	LBS/M	TEMPER
FINISH		MATERIAL		SPEC No.	
FIRST USED ON		SCALE		2:1	
DATE DRAWN	BY	CHKD	APVD	Switchcraft SHEET 1 OF 2	
12-Jan-06	JL	TJK 1-12-06	TJK 1-12-06		
NAME		PART No.		REV	
PHONO JACK, RIGHT ANGLE, 6 POS. SCREW MOUNT, SHIELDED, RoHS		PJRAS3X2S__X SERIES		C	

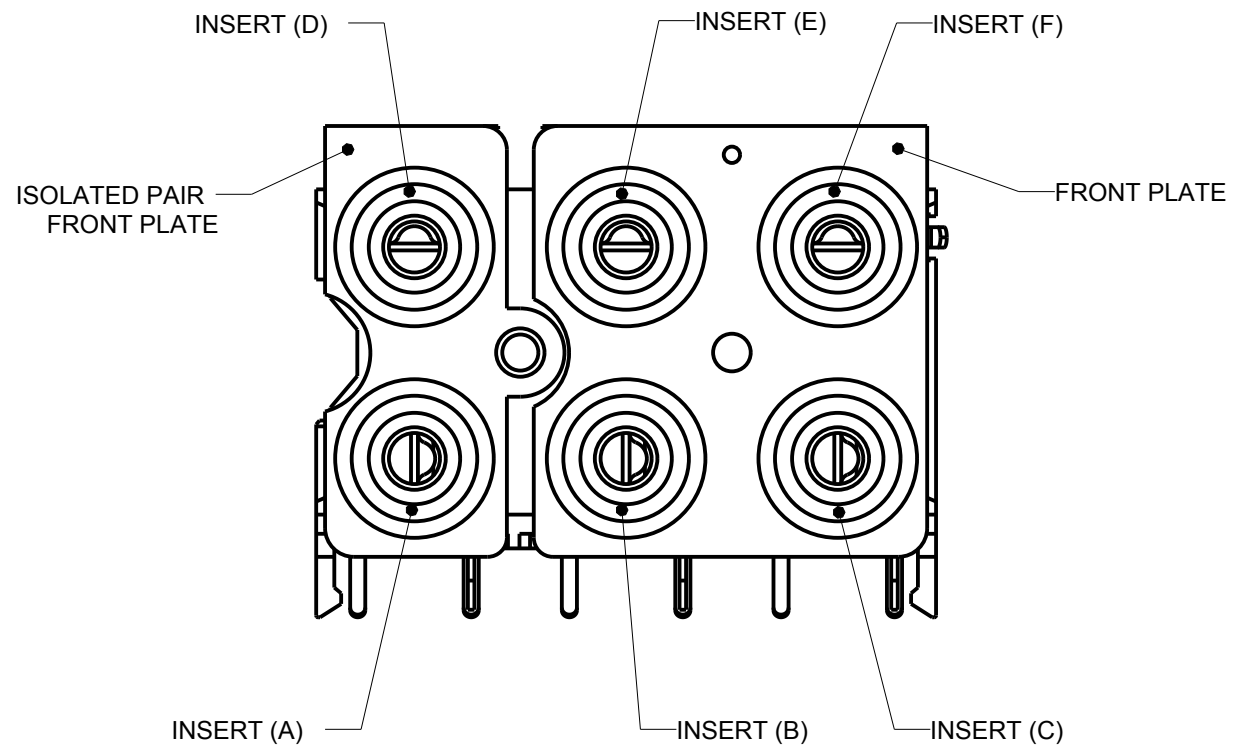


FIGURE 1

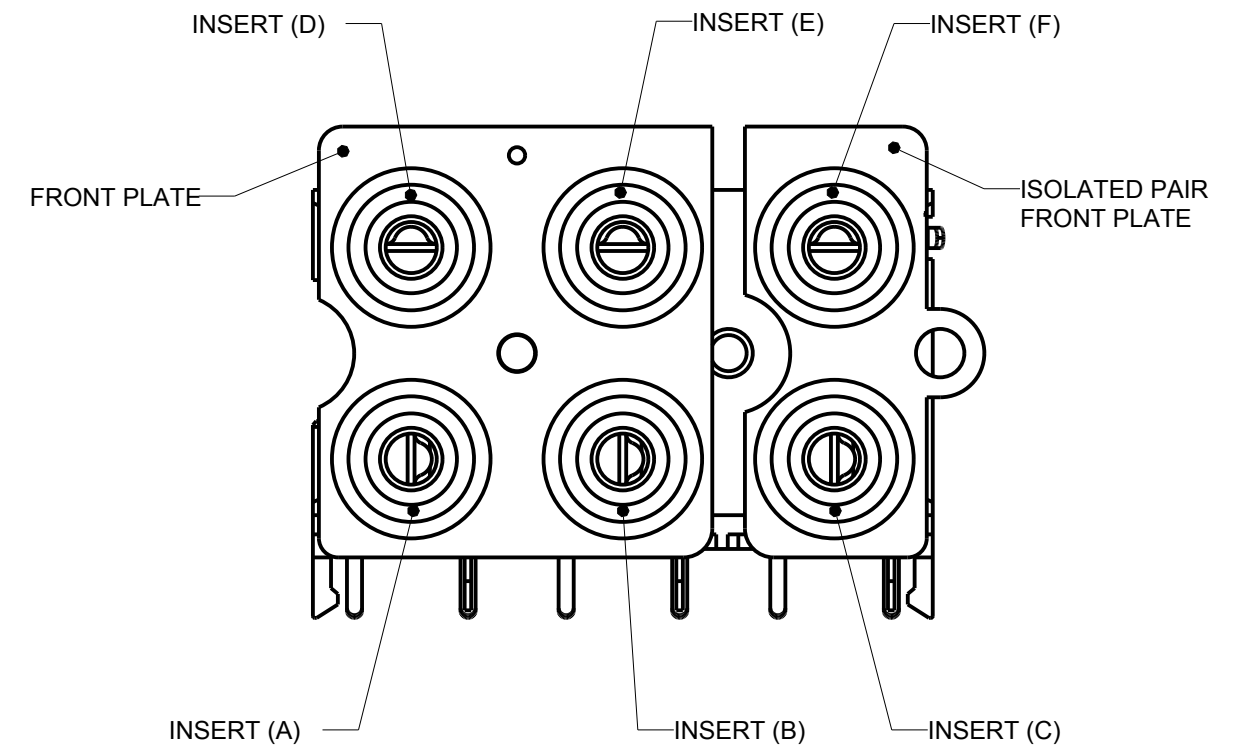


FIGURE 2

PART NUMBER	INSERT COLOR	INSERT COLOR	INSERT COLOR	ISOLATED PAIR FRONT PLATE LOCATIONS	SHELL AND SLEEVE TERMINAL FINISH
	D	E	F		
PJRAS3X2S01X	A	B	C	FIGURE 1	NICKEL PLATED
	WHITE	WHITE	WHITE		
PJRAS3X2S01AUX	A	B	C	FIGURE 1	GOLD PLATED
	WHITE	WHITE	WHITE		
PJRAS3X2S02X	A	B	C	FIGURE 1	NICKEL PLATED
	RED	WHITE	YELLOW		
PJRAS3X2S02AUX	A	B	C	FIGURE 1	GOLD PLATED
	RED	WHITE	YELLOW		
PJRAS3X2S03X	A	B	C	FIGURE 2	NICKEL PLATED
	RED	WHITE	YELLOW		
PJRAS3X2S04X	A	B	C	FIGURE 1	NICKEL PLATED
	WHITE	WHITE	WHITE		
PJRAS3X2S05X	A	B	C	FIGURE 1	NICKEL PLATED
	RED	GREEN	BLUE		

CUSTOMER DRAWING

SCALE 2:1	Switchcraft [®]	
DATE DRAWN 12-Jan-06		
DRAWN BY JL	PART No. PJRAS3X2S__X SERIES	REV C

Mouser Electronics

Authorized Distributor

Click to View Pricing, Inventory, Delivery & Lifecycle Information:

[Switchcraft:](#)

[PJRAS3X2S01X](#) [PJRAS3X2S02X](#) [PJRAS3X2S01AU](#) [PJRAS3X2S01](#) [PJRAS3X2S02AU](#) [PJRAS3X2S02](#)