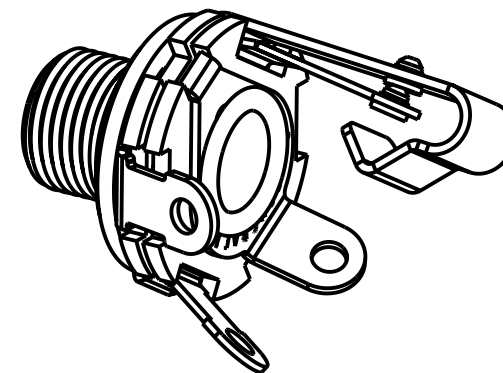
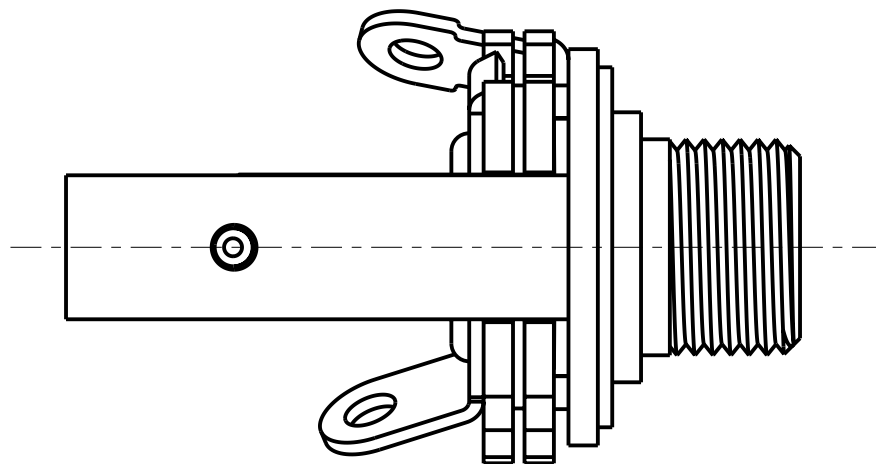
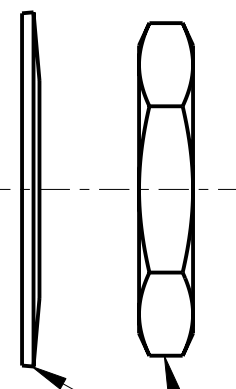
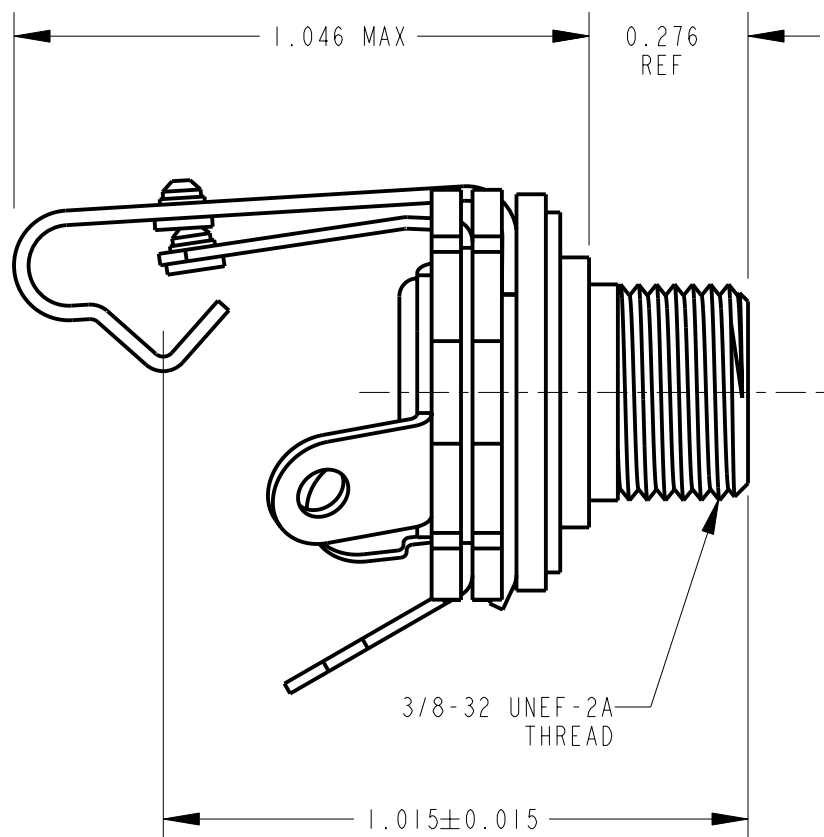
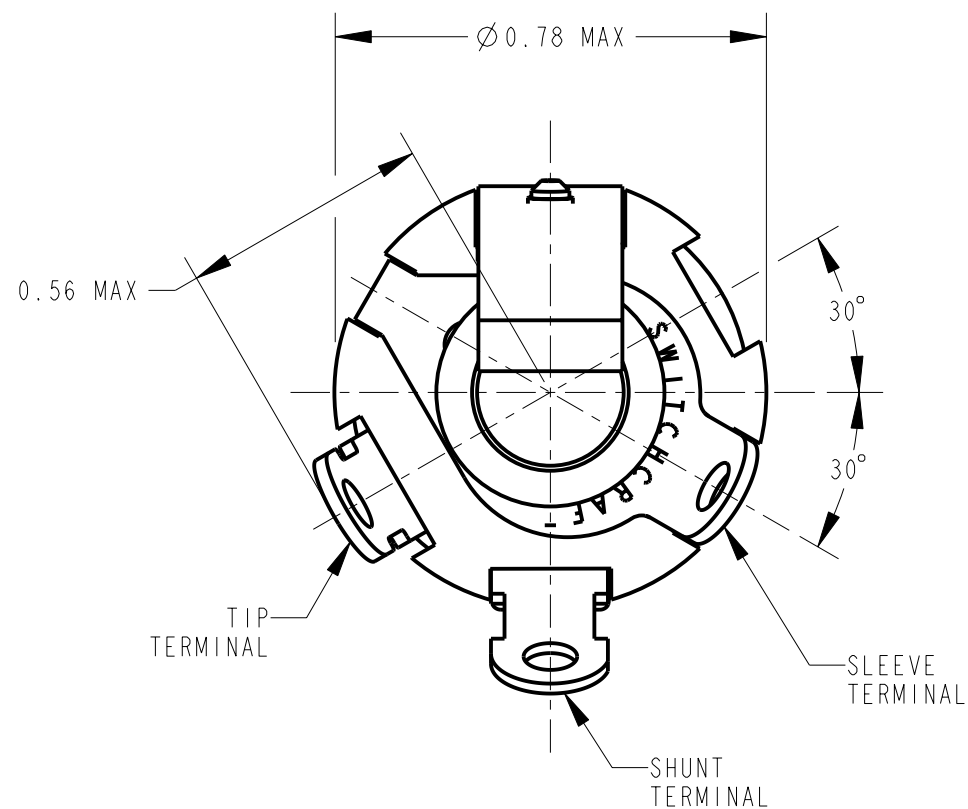


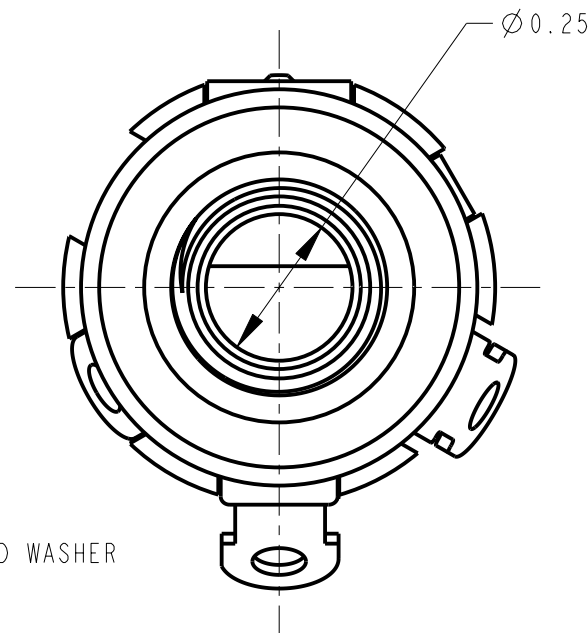
SCHEMATIC



SCALE 2:1



HEX NUT AND WASHER
SEE NOTE 3



CUSTOMER DRAWING

NOTES:

- ALL PARTS ARE MECHANICALLY INTERLOCKED.
- MATERIALS:
 BUSHING - COPPER ALLOY, NICKEL PLATED
 TIP AND SHUNT SPRINGS - SPECIAL COPPER ALLOY
 SLEEVE TERMINAL - COPPER ALLOY TIN PLATED
 INSULATORS - PHENOLIC
 HARDWARE - COPPER ALLOY, NICKEL PLATED
 TERMINALS ARE TIN DIPPED WITH LEAD FREE SOLDER
- K180 HEX NUT & K216 WASHER KIT SHIPPED UNASSEMBLED.
- THIS PRODUCT IS RoHS COMPLIANT.

REV	ECO NUMBER	DATE	BY	APVD
B	27023	9-14-12	TO	TJK
A	25366	6-24-06	TO	TJK
REVISIONS				

★ STAR SYMBOL DENOTES CRITICAL DIMENSION

UNLESS OTHERWISE SPECIFIED

- ALL DIMENSIONS IN INCHES
 - TWO PLACE DECIMALS ±0.01
 - THREE PLACE DECIMALS ±0.005
 - ANGLES ±1°
 - ALL DIA. CONCENTRIC WITHIN 0.005 T.I.R.
- FEATURES ON THE SAME CENTERLINE MUST BE ALIGNED WITHIN ±0.002
- REMOVE ALL BURRS

DO NOT SCALE DRAWING

THIS DRAWING DESCRIBES A DESIGN CONSIDERED PROPRIETARY IN NATURE, DEVELOPED AND MANUFACTURED BY SWITCHCRAFT INC. AND IS RELEASED ON A CONFIDENTIAL BASIS FOR IDENTIFICATION PURPOSES ONLY.

SIZE	WIDTH	MULT	LBS/M	TEMPER
FINISH		MATERIAL		
SPEC No.		SPEC No.		
FIRST USED ON		SCALE		
		3:1		
DATE DRAWN	BY	CHKD	APVD	
19-Sep-12	TJK	TJK	TJK	
		9/19/12	9/19/12	
NAME				PART No.
LITTEL-JAX				C12AX
FOR PJ-055 PLUG, RoHS				REV
				B

Switchcraft

SHEET 1 OF 1

Mouser Electronics

Authorized Distributor

Click to View Pricing, Inventory, Delivery & Lifecycle Information:

[Switchcraft:](#)

[C12AX](#)