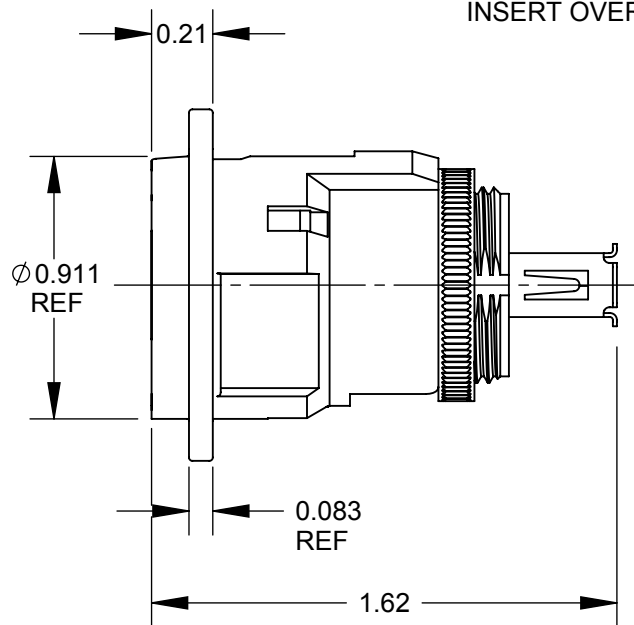
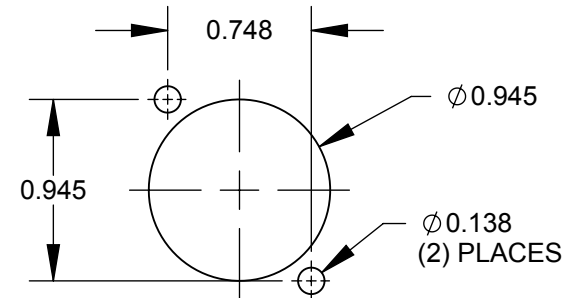
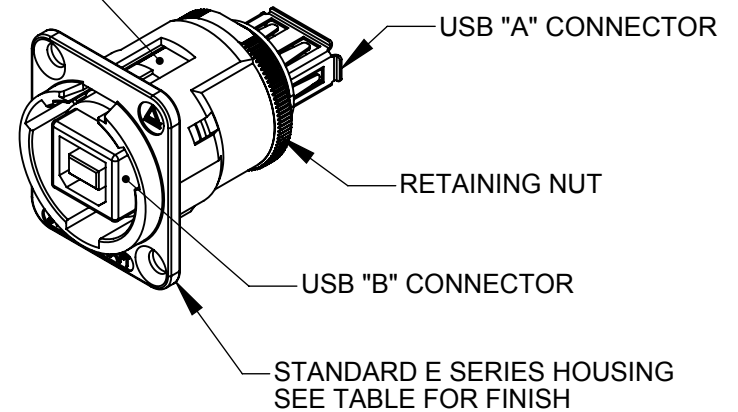


✓ $\varnothing 0.138$ THRU
 $\varnothing 0.230 \times 82^\circ$
 (2) PLACES
 REF



INSERT OVERMOLD



NOTES:

- MATERIALS:
 INSERT OVERMOLD - THERMOPLASTIC, BLACK
 RETAINING NUT - BRASS, NICKEL PLATED
 HOUSING - ZINC ALLOY
- THIS PRODUCT IS RoHS COMPLIANT.

PART NUMBER	HOUSING FINISH
EHUSBBAX	NICKEL
EHUSBBABX	BLACK CHROME

RECOMMENDED
PANEL CUT-OUT

CUSTOMER DRAWING

☆ STAR SYMBOL DENOTES CRITICAL DIMENSION UNLESS OTHERWISE SPECIFIED 1. ALL DIMENSIONS IN INCHES - TWO PLACE DECIMALS ± 0.01 - THREE PLACE DECIMALS ± 0.005 - ANGLES $\pm 1^\circ$					THIS DRAWING DESCRIBES A DESIGN CONSIDERED PROPRIETARY IN NATURE, DEVELOPED AND MANUFACTURED BY SWITCHCRAFT INC. AND IS RELEASED ON A CONFIDENTIAL BASIS FOR IDENTIFICATION PURPOSES ONLY.					
					SIZE	WIDTH	MULT	LBS/M	TEMPER	
REVISIONS A 26076 7/15/06 RS TJK					FINISH		MATERIAL			
					SPEC No.		SPEC No.			
DO NOT SCALE DRAWING					FIRST USED ON		SCALE 1.5:1			
					DATE DRAWN	BY	CHKD	APVD		
REV	ECO NUMBER	DATE	BY	APVD	5/5/09	RS	RS	TJK		
					NAME E SERIES CONNECTOR, USB B FEMALE TO A FEMALE, RoHS			PART No. EHUSBBA_X SERIES		REV A



Mouser Electronics

Authorized Distributor

Click to View Pricing, Inventory, Delivery & Lifecycle Information:

[Switchcraft:](#)

[EHUSBBABX](#) [EHUSBBAX](#) [EHUSBBABXPKG](#) [EHUSBBAXPKG](#)