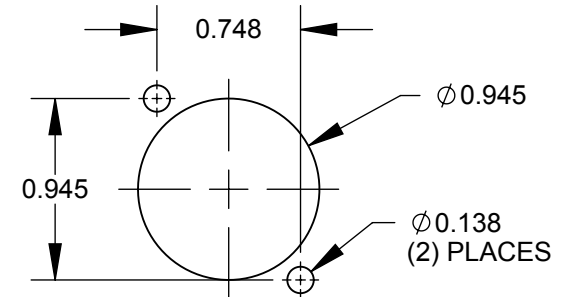
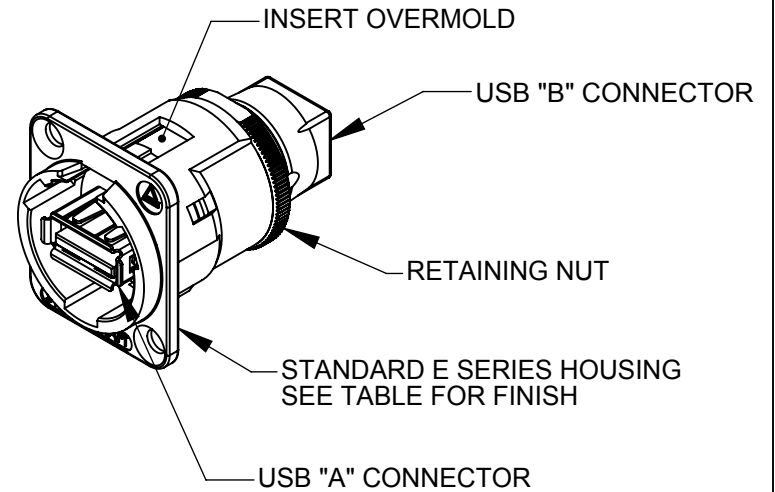
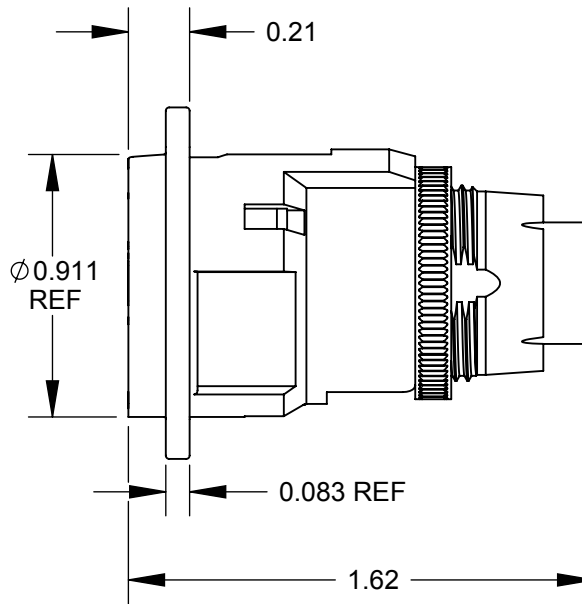


✓  $\varnothing 0.138$  THRU  
 $\varnothing 0.230 \times 82^\circ$   
 (2) PLACES  
 REF



RECOMMENDED  
PANEL CUT-OUT

**CUSTOMER DRAWING**

NOTES:

- MATERIALS:**  
 INSERT OVERMOLD - THERMOPLASTIC, BLACK  
 RETAINING NUT - BRASS, NICKEL PLATED  
 HOUSING - ZINC ALLOY
- THIS PRODUCT IS RoHS COMPLIANT.

PART NUMBER	HOUSING FINISH
EHUSBABX	NICKEL
EHUSBABBX	BLACK CHROME

★ STAR SYMBOL DENOTES CRITICAL DIMENSION

UNLESS OTHERWISE SPECIFIED  
 1. ALL DIMENSIONS IN INCHES  
 - TWO PLACE DECIMALS  $\pm 0.01$   
 - THREE PLACE DECIMALS  $\pm 0.005$   
 - ANGLES  $\pm 1^\circ$

THIS DRAWING DESCRIBES A DESIGN CONSIDERED PROPRIETARY IN NATURE, DEVELOPED AND MANUFACTURED BY SWITCHCRAFT INC. AND IS RELEASED ON A CONFIDENTIAL BASIS FOR IDENTIFICATION PURPOSES ONLY.

A	26076	7/15/06	RS	TJK															
REV	ECO NUMBER	DATE	BY	APVD															
REVISIONS					DO NOT SCALE DRAWING					NAME E SERIES CONNECTOR, USB A FEMALE TO B FEMALE, RoHS					PART No. EHUSBAB_X SERIES				

SolidWorks CAD File



**Switchcraft**<sup>®</sup>

SHEET 1 OF 1

REV  
**A**

# Mouser Electronics

Authorized Distributor

Click to View Pricing, Inventory, Delivery & Lifecycle Information:

[Switchcraft:](#)

[EHUSBABBX](#) [EHUSBABX](#) [EHUSBABXPKG](#) [EHUSBABBXPKG](#)