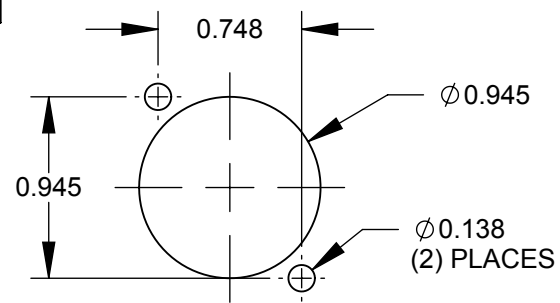
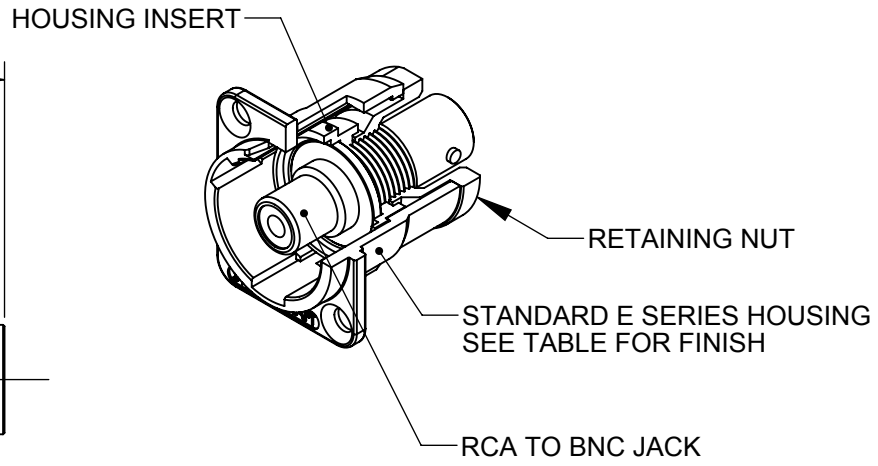
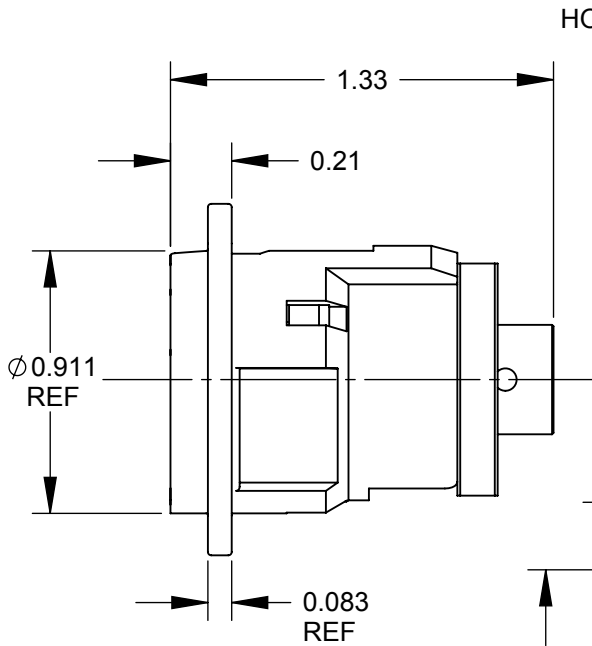


✓ $\varnothing 0.138$ THRU
 $\varnothing 0.230 \times 82^\circ$
 (2) PLACES REF



RECOMMENDED
 PANEL CUT-OUT

NOTES:

- MATERIALS:
 HOUSING - ZINC ALLOY
 HOUSING INSERT - THERMOPLASTIC, BLACK
 RETAINING NUT - THERMOPLASTIC, BLACK
 RCA TO BNC JACK - COPPER ALLOY, NICKEL PLATED
- THIS PRODUCT IS RoHS COMPLIANT.

PART NUMBER	HOUSING FINISH
EHRCABNCX	NICKEL
EHRCABNCBX	BLACK CHROME

CUSTOMER DRAWING

					THIS DRAWING DESCRIBES A DESIGN CONSIDERED PROPRIETARY IN NATURE, DEVELOPED AND MANUFACTURED BY SWITCHCRAFT INC. AND IS RELEASED ON A CONFIDENTIAL BASIS FOR IDENTIFICATION PURPOSES ONLY.				
					SIZE	WIDTH	MULT	LBS/M	TEMPER
					FINISH			MATERIAL	
					SPEC No.			SPEC No.	
					FIRST USED ON		SCALE 1.5:1		
B	26415	7/17/09	RS	TJK	DATE DRAWN	BY	CHKD	APVD	Switchcraft®
A	26104	9/28/06	RF	TJK	8/31/06	RF	RF	TJK	
					SHEET 1 OF 1				
REV	ECO NUMBER	DATE	BY	APVD	NAME			PART No.	REV
REVISIONS					E SERIES RCA TO BNC, RoHS			EHRCABNC_X SERIES	B

DO NOT SCALE DRAWING

SolidWorks CAD File



Mouser Electronics

Authorized Distributor

Click to View Pricing, Inventory, Delivery & Lifecycle Information:

[Switchcraft:](#)

[EHRCABNCX](#) [EHRCABNCBPKG](#) [EHRCABNCB](#) [EHRCABNCXPKG](#) [EHRCABNCBPKG](#) [EHRCABNCBX](#)