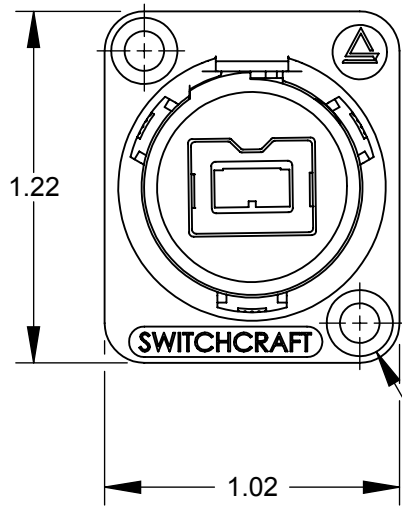
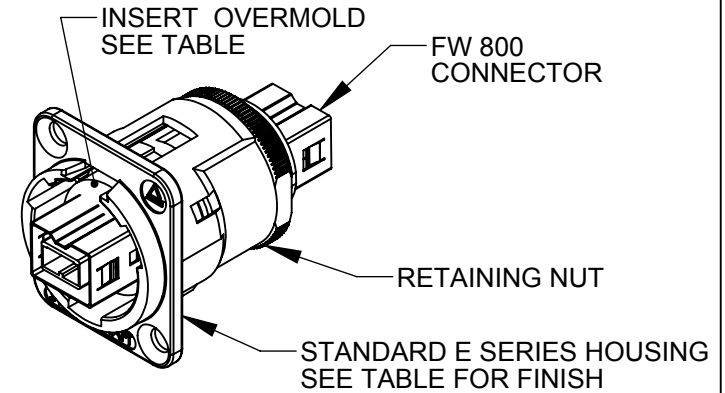
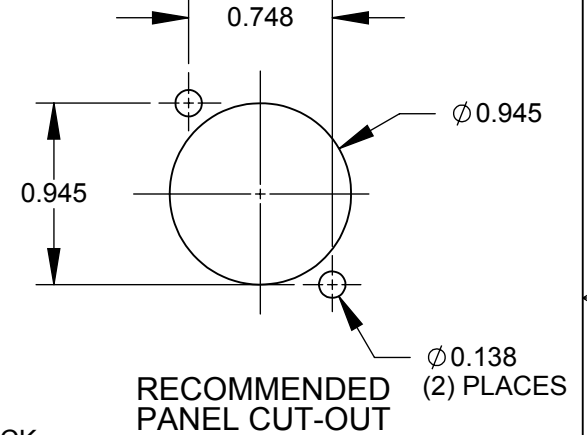
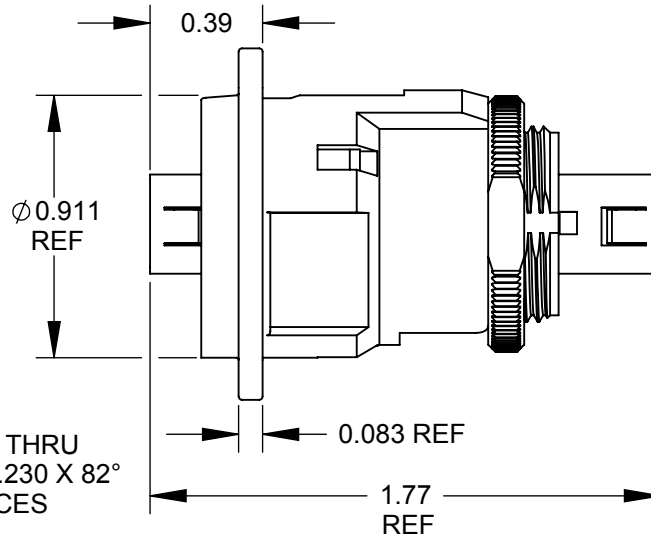


PART NUMBER	INSERT COLOR & WIRING	HOUSING FINISH
EHFW800X2	RED - CROSS WIRED	NICKEL
EHFW800X2B	RED - CROSS WIRED	BLACK CHROME



Ø0.138 THRU  
 ✓ Ø0.230 X 82°  
 (2) PLACES



PIN ASSIGNMENT									
<b>EHFW800X2 &amp; EHFW800X2B</b>									
CROSS WIRED									
1	2	3	4	5	6	7	8	9	SHIELD
						NC			
3	4	1	2	9	6	7	8	5	SHIELD



NOTES:

- MATERIALS:  
 INSERT OVERMOLD - THERMOPLASTIC, BLACK  
 RETAINING NUT - BRASS, NICKEL PLATED  
 HOUSING - ZINC ALLOY
- THERE IS NO CONNECTION BETWEEN PINS 7 AND 7.
- THIS PRODUCT IS RoHS COMPLIANT.

**CUSTOMER DRAWING**

					THIS DRAWING DESCRIBES A DESIGN CONSIDERED PROPRIETARY IN NATURE, DEVELOPED AND MANUFACTURED BY SWITCHCRAFT INC. AND IS RELEASED ON A CONFIDENTIAL BASIS FOR IDENTIFICATION PURPOSES ONLY.					
					SIZE	WIDTH	MULT	LBS/M	TEMPER	
					FINISH			MATERIAL		
					SPEC No.			SPEC No.		
					FIRST USED ON		SCALE 1.5:1			
D	26611	09/08/10	JEB	TJK	DATE DRAWN	BY	CHKD	APVD	<b>Switchcraft®</b>	
C	26467	11/30/09	RS	TJK	1/9/08	JGK	RS	TJK		
B	26415	7/17/09	TJK	TJK						
A	26308	12/1/08	RS	TJK						
REV	ECO NUMBER	DATE	BY	APVD	NAME			PART No.	REV	
REVISIONS					FIREWIRE 800 FEED-THRU SERIES			EHFW800 SERIES		D
DO NOT SCALE DRAWING										



# Mouser Electronics

Authorized Distributor

Click to View Pricing, Inventory, Delivery & Lifecycle Information:

[Switchcraft:](#)

[EHFW800X2B](#) [EHFW800X2](#)