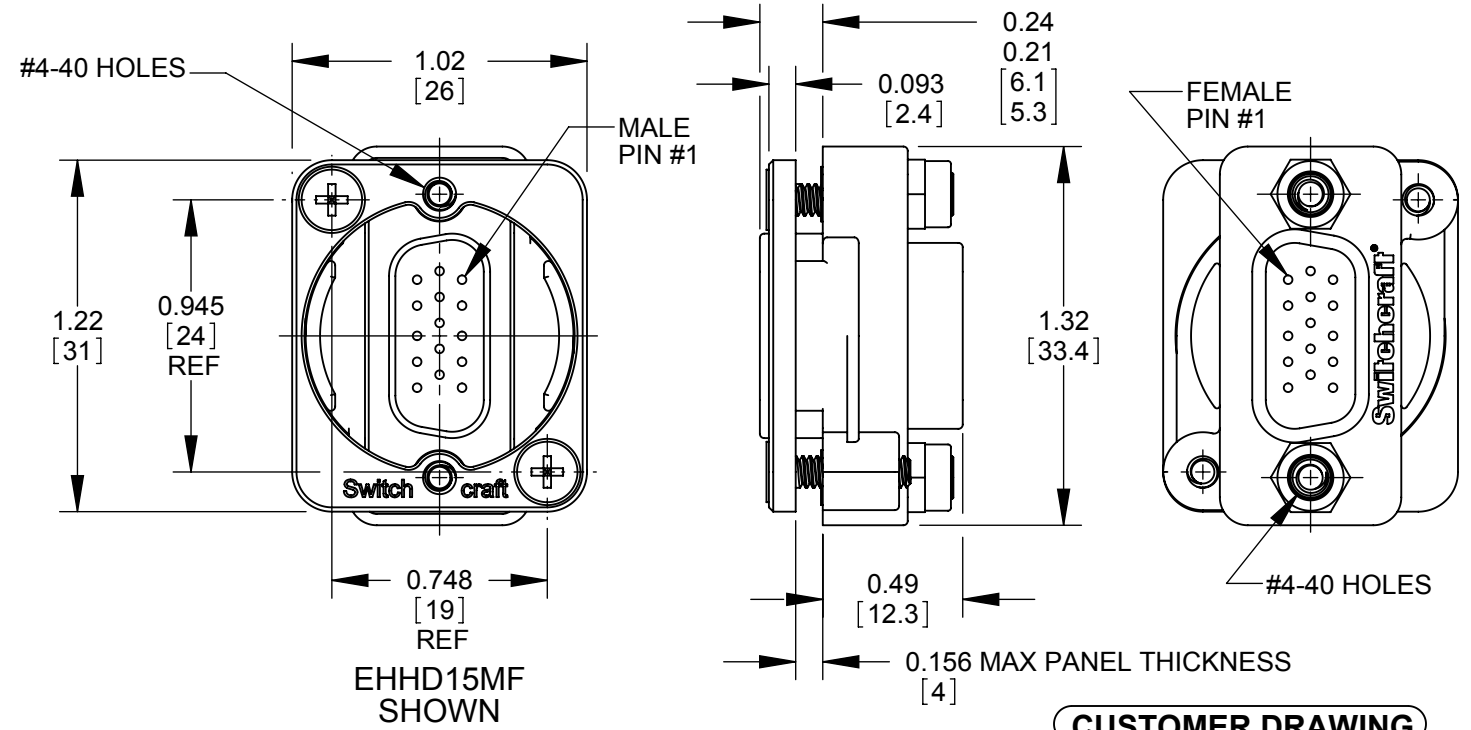
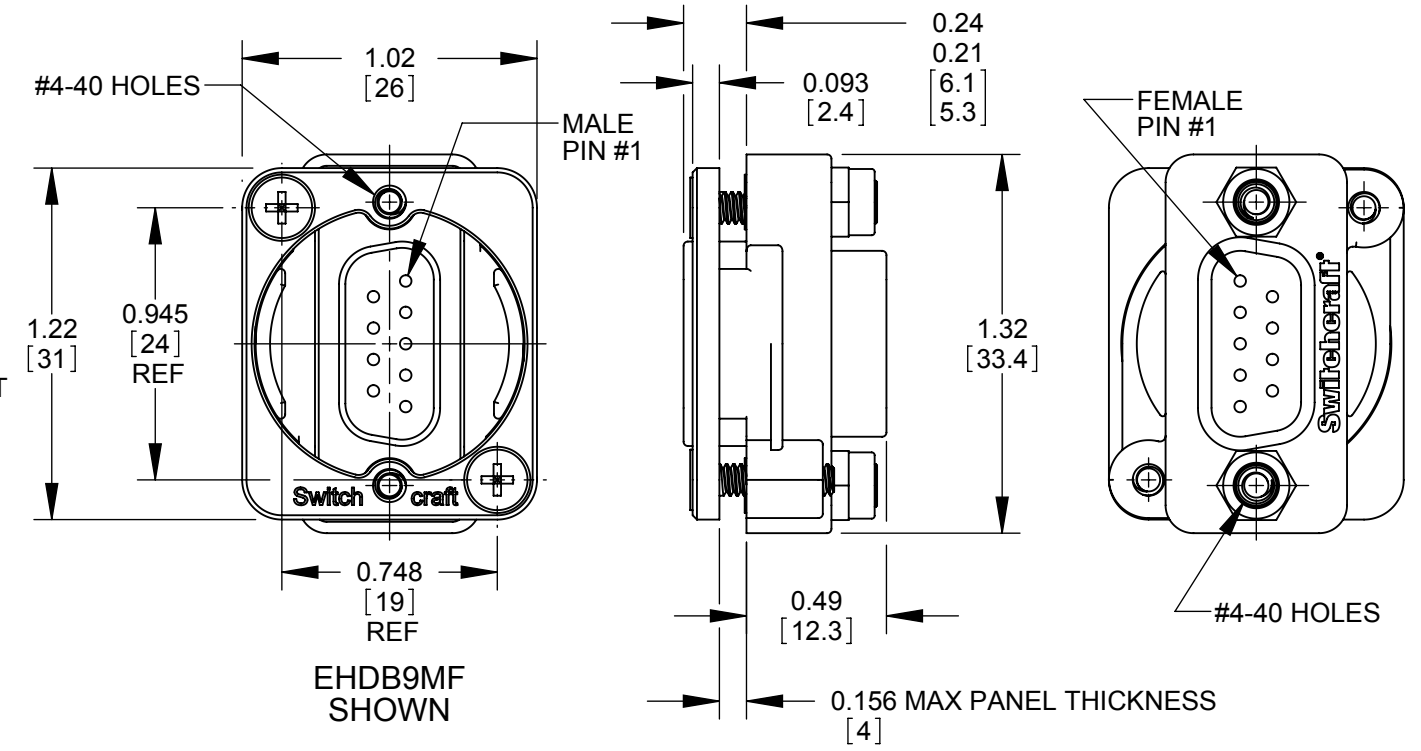


EH * * *
FINISH, FLANGE AND MOUNTING SCREW
BLANK - NICKEL
B - BLACK

GENDER
MM - MALE TO MALE
MF - MALE TO FEMALE
FF - FEMALE TO FEMALE

TYPE OF ADAPTER
DB9 - 9 PIN D-SUB
HD15 - 15 PIN HIGH DENSITY D-SUB



CUSTOMER DRAWING

NOTES:

- MATERIALS:
MOUNTING SCREWS - STEEL, NICKEL OR BLACK OXIDE FINISH.
FRONT FLANGE - BRASS, NICKEL OR BLACK CHROME FINISH.
D SUB ADAPTER:
INSULATOR - PBT GLASS FIBER REINFORCED
CONTACT - BRASS, GOLD PLATED OVER NICKEL
SHELL - NICKEL SILVER, TIN PLATED
HOUSING - PBT, 30% GLASS FIBER
JACKPOST - BRASS, NICKEL PLATED
- PARTS SHIPPED UNASSEMBLED.
- D-SUB CONNECTOR MAY BE ORIENTATED OPPOSITE AS SHOWN AND MALE-FEMALE MAY BE ASSEMBLED WITH THE FEMALE IN FRONT.
- THESE PRODUCTS ARE RoHS COMPLIANT.

| REV | ECO NUMBER | DATE | BY | APVD |
|-----------|------------|---------|----|------|
| D | 26941 | 4-12-12 | TO | TJK |
| C | 26494 | 1/22/10 | RS | TJK |
| B | 26415 | 7/17/09 | RS | TJK |
| A | ECO 25822 | 7/23/08 | BS | TJK |
| REVISIONS | | | | |

UNLESS OTHERWISE SPECIFIED

1. ALL DIMENSIONS IN INCHES
- TWO PLACE DECIMALS ±0.02
- THREE PLACE DECIMALS ±0.005

DO NOT SCALE DRAWING

| | | | | | | | | | |
|--|----|-------|------|-----------------|--|---------------------------------|--|--------|--|
| THIS DRAWING DESCRIBES A DESIGN CONSIDERED PROPRIETARY IN NATURE, DEVELOPED AND MANUFACTURED BY SWITCHCRAFT INC. AND IS RELEASED ON A CONFIDENTIAL BASIS FOR IDENTIFICATION PURPOSES ONLY. | | | | | | | | | |
| SIZE | | WIDTH | | MULT | | LBS/M | | TEMPER | |
| FINISH SPEC No. | | | | | | MATERIAL SPEC No. | | | |
| FIRST USED ON | | | | SCALE 1.5:1 | | Switchcraft [®] | | | |
| DATE DRAWN | BY | CHKD | APVD | | | | | | |
| 9/28/06 | JK | JK | JK | 9/29/06 9/29/06 | | SHEET 1 OF 1 | | | |
| NAME E SERIES D-SUB CONNECTOR, RoHS | | | | | | PART No. EHDB9 & EHHD15 SERIES | | REV D | |

Mouser Electronics

Authorized Distributor

Click to View Pricing, Inventory, Delivery & Lifecycle Information:

[Switchcraft:](#)

[EHDB9FFB](#)