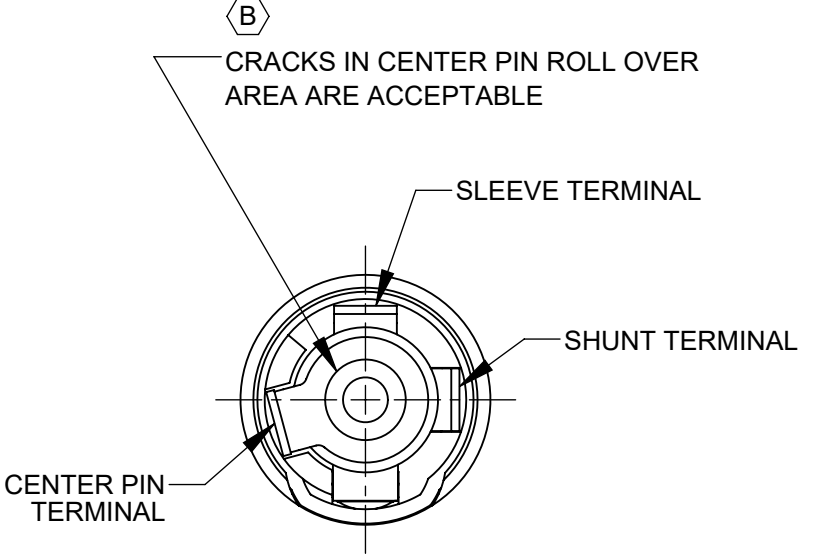
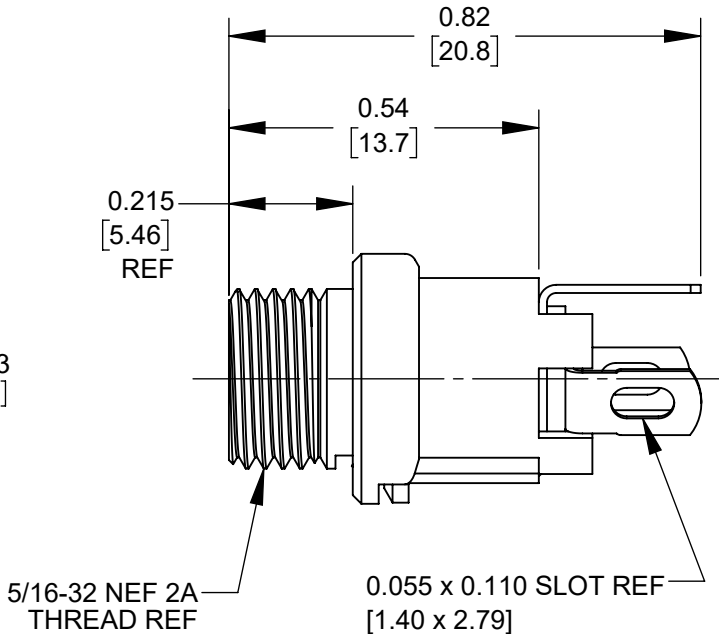
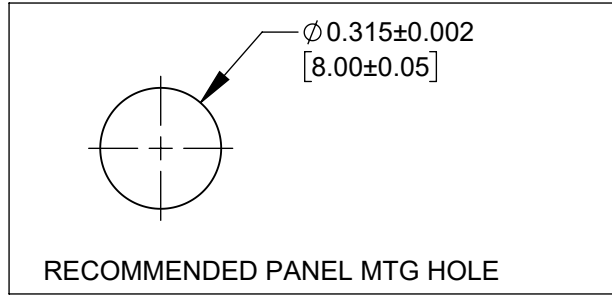
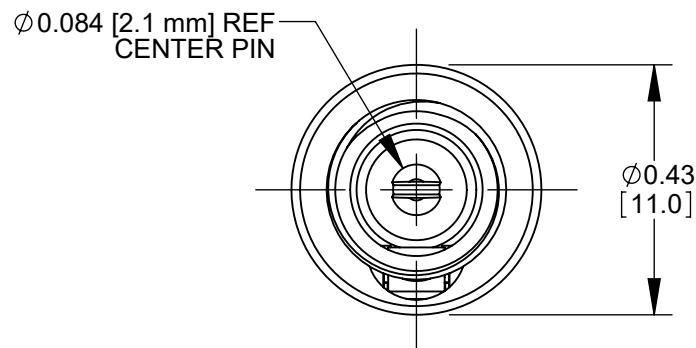
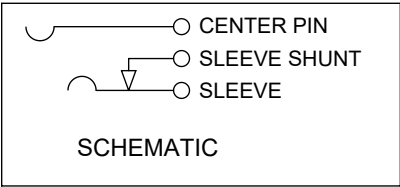
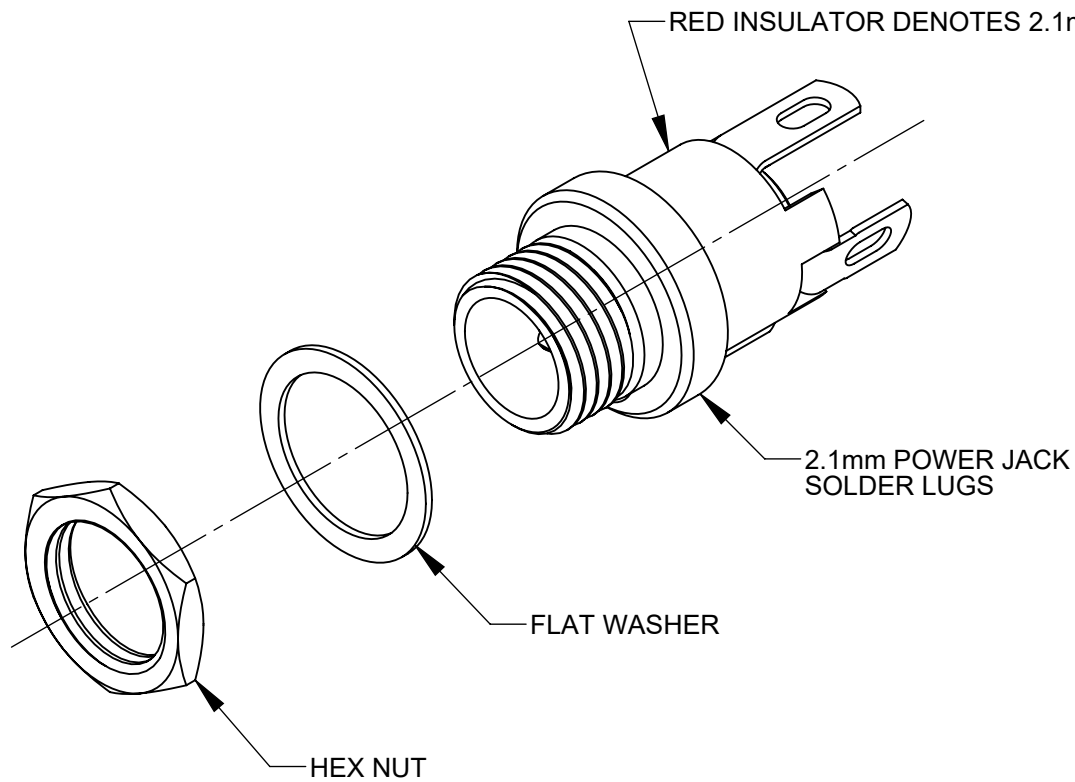


PART NUMBER	DESCRIPTION	SWITCHCRAFT MATING 2.1mm POWER PLUGS
721A	2.1mm POWER JACK, SOLDER LUGS	762, 763, 762K, 763K



- NOTES:
- DIMENSIONS SHOWN FOR REFERENCE ONLY.
  - HEX NUT AND FLAT WASHER SUPPLIED UNASSEMBLED.
  - MATERIAL:  
HOUSING, HEX NUT - COPPER ALLOY, NICKEL PLATED  
INSULATOR HOUSING - THERMOPLASTIC, RED  
TERMINAL INSULATORS - PHENOLIC  
FLAT WASHER - STEEL, NICKEL PLATED  
PIN, SPRING, TERMINALS - COPPER ALLOY, SILVER PLATED
  - IT IS RECOMMENDED THAT THE JACK MOUNTING NUT BE TIGHTENED SNUG BY HAND BEFORE APPLYING A FINAL TIGHTENING TORQUE OF 8-10 LB-IN USING HAND TOOLS ONLY. POWER DRIVER OR IMPACT DRIVERS ARE NOT RECOMMENDED.
  - THESE PRODUCTS ARE RoHS COMPLIANT

**CUSTOMER DRAWING**

					THIS DRAWING DESCRIBES A DESIGN CONSIDERED PROPRIETARY IN NATURE, DEVELOPED AND MANUFACTURED BY SWITCHCRAFT INC. AND IS RELEASED ON A CONFIDENTIAL BASIS FOR IDENTIFICATION PURPOSES ONLY.				
					SIZE	WIDTH	MULT	LBS/M	TEMPER
					FINISH SPEC No.			MATERIAL SPEC No.	
					FIRST USED ON		SCALE 3:1		
B	28397	06/11/21	PC	TJK	DATE DRAWN	BY	CHKD	APVD	<b>Switchcraft</b> <sup>®</sup>
A	27987	01/08/18	PC	TJK	02/06/17	PNK	PNK	SRC	
REV	ECO NUMBER	DATE	BY	APVD	NAME			PART No.	
REVISIONS					2.1mm POWER JACKS SOLDER LUGS, RoHS			721A	
DO NOT SCALE DRAWING					SHEET 1 OF 1				
					REV			B	

# Mouser Electronics

Authorized Distributor

Click to View Pricing, Inventory, Delivery & Lifecycle Information:

[Switchcraft:](#)

[721A](#)