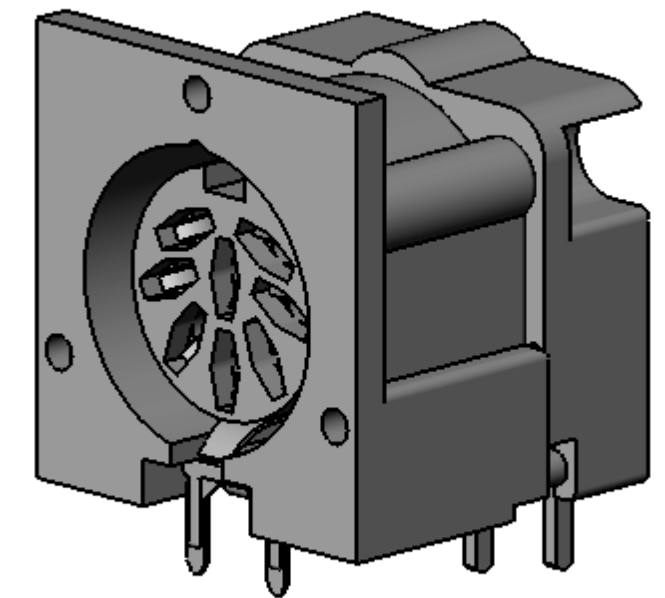
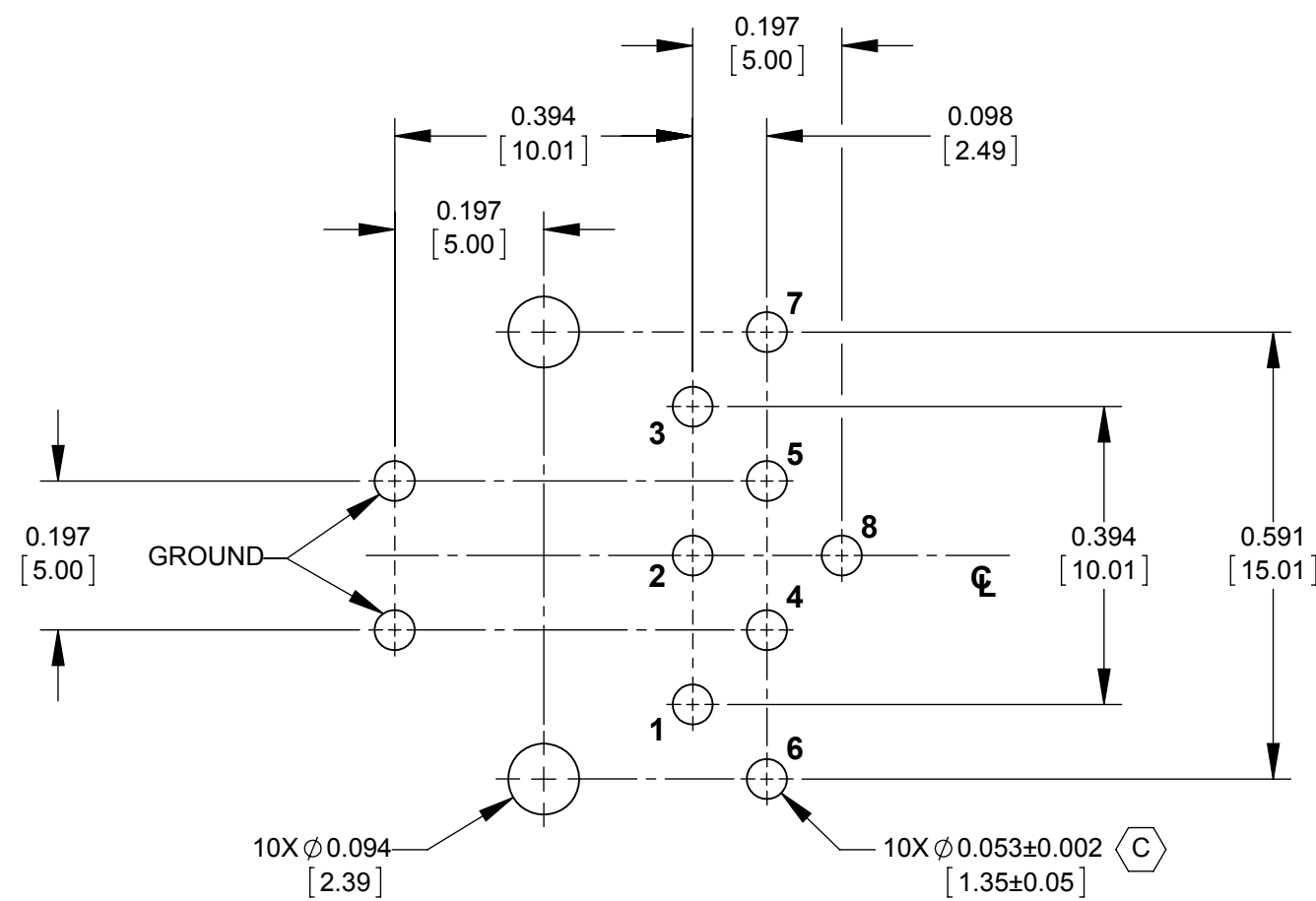
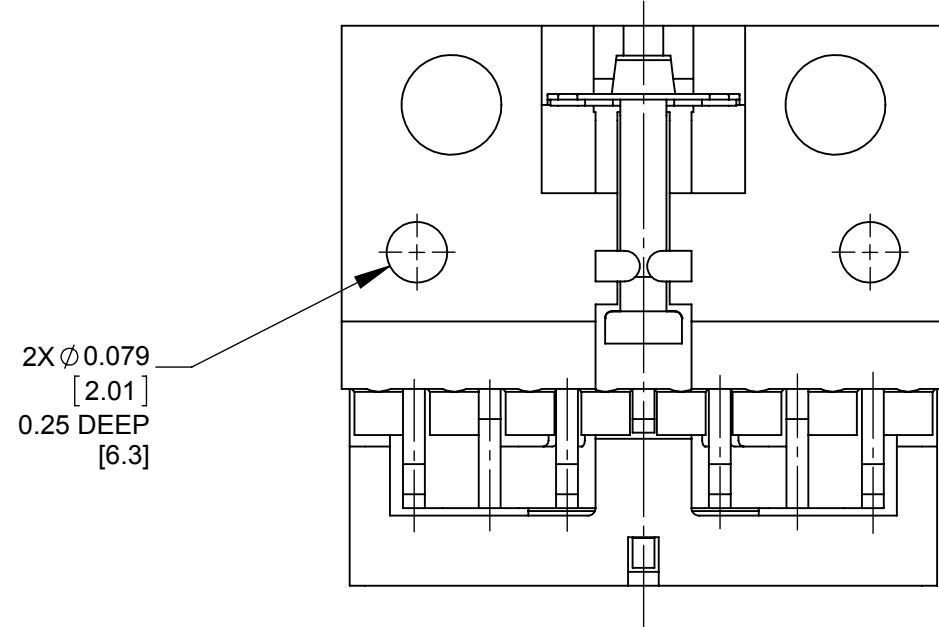
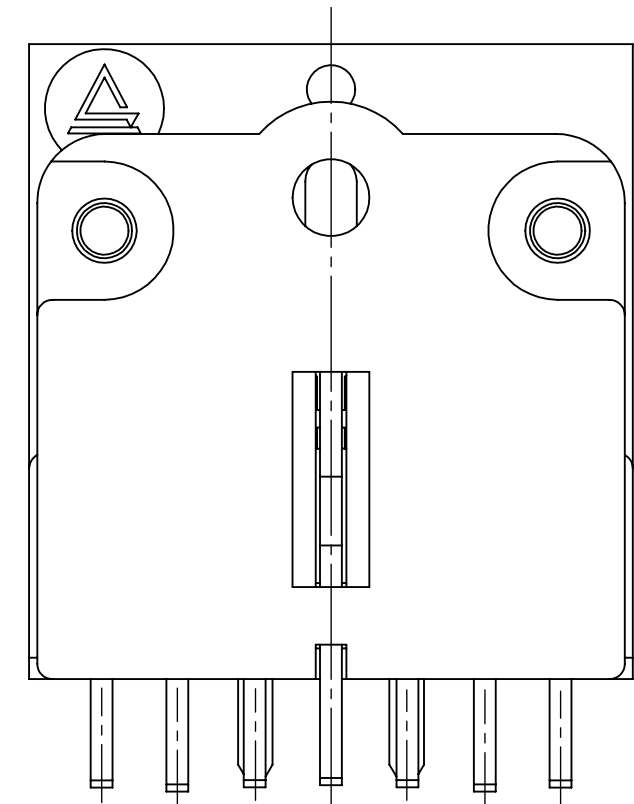
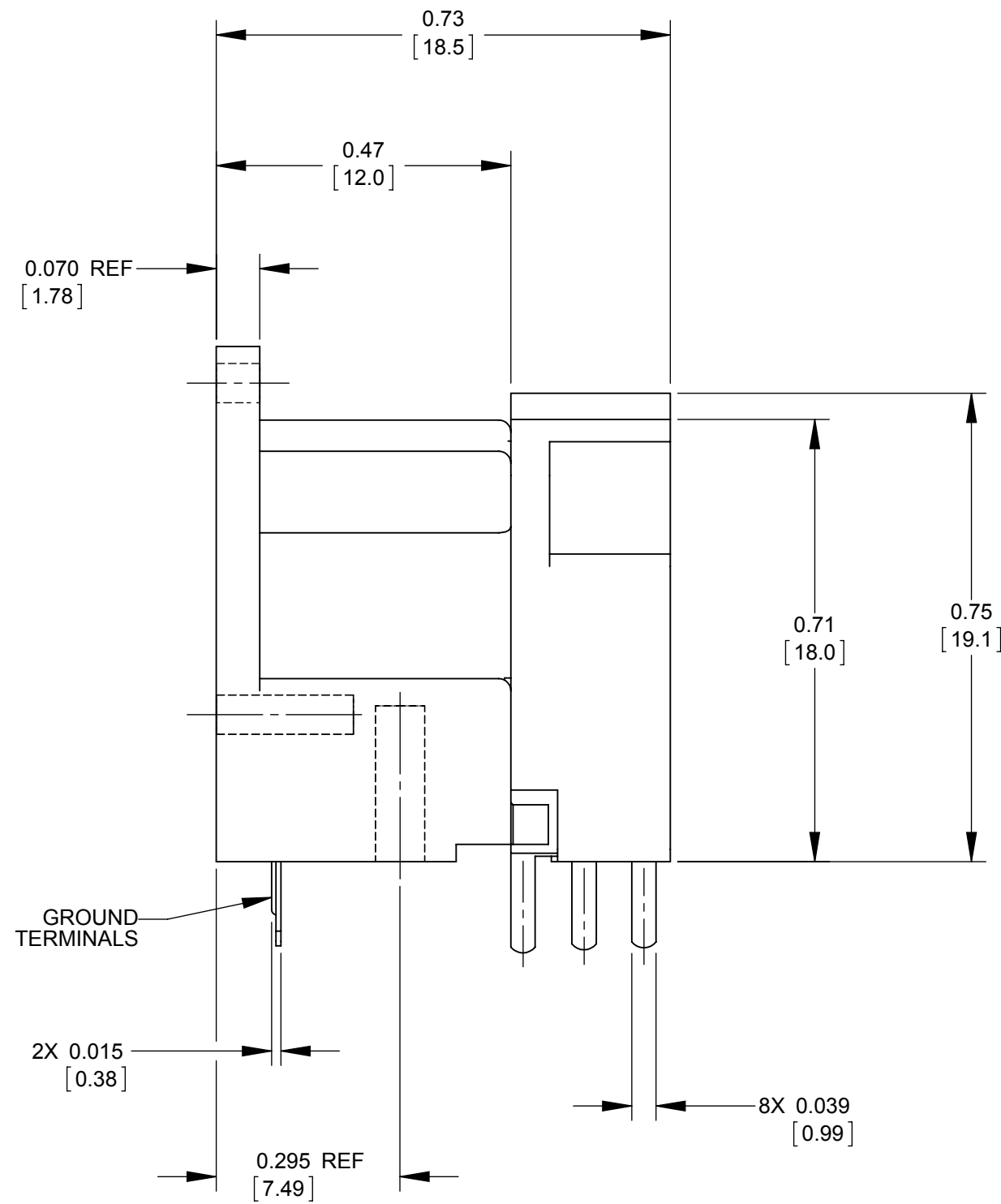


PIN NUMBERS FOR REFERENCE ONLY THEY DO NOT APPEAR ON THE PART



NOTES:

1. MATERIALS:
HOUSING - THERMOPLASTIC, BLACK.
PC TERMINALS - COPPER ALLOY, TIN PLATED.
GROUND TERMINAL - SPECIAL COPPER ALLOY, TIN PLATED.
COVER - THERMOPLASTIC, BLACK.
2. THIS PRODUCT IS RoHS COMPLIANT.

RECOMMENDED PC BOARD LAYOUT
COMPONENT SIDE

CUSTOMER DRAWING

REV	ECO NUMBER	DATE	BY	APVD
C	CAD REDRAW NO CHANGE - ECO #27408	11/17/14	PC	TJK
REVISIONS				

UNLESS OTHERWISE SPECIFIED
1. ALL DIMENSIONS IN INCHES [mm]
- TWO PLACE DECIMALS ±0.02 [0.5]
- THREE PLACE DECIMALS ±0.005 [0.13]

DO NOT SCALE DRAWING

THIS DRAWING DESCRIBES A DESIGN CONSIDERED PROPRIETARY IN NATURE, DEVELOPED AND MANUFACTURED BY SWITCHCRAFT INC. AND IS RELEASED ON A CONFIDENTIAL BASIS FOR IDENTIFICATION PURPOSES ONLY.				
SIZE	WIDTH	MULT	LBS/M	TEMPER
FINISH SPEC No.		MATERIAL SPEC No.		
FIRST USED ON		SCALE 4:1		
DATE DRAWN	BY	CHKD	APVD	
01/21/82	IC	KS	WH	
		03/01/96	01/25/82	
NAME RIGHT ANGLE PC FEMALE DIN RECEPTACLE, RoHS			PART No. 62PC8F	REV C

Mouser Electronics

Authorized Distributor

Click to View Pricing, Inventory, Delivery & Lifecycle Information:

[Switchcraft:](#)

[62PC8F](#)