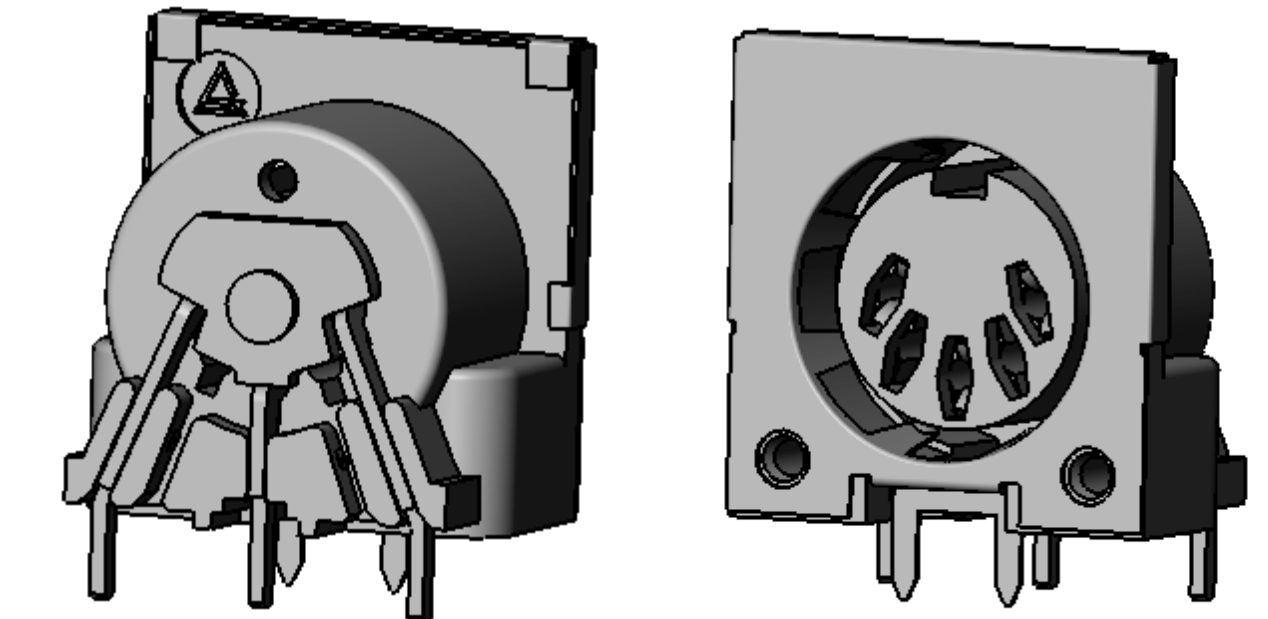
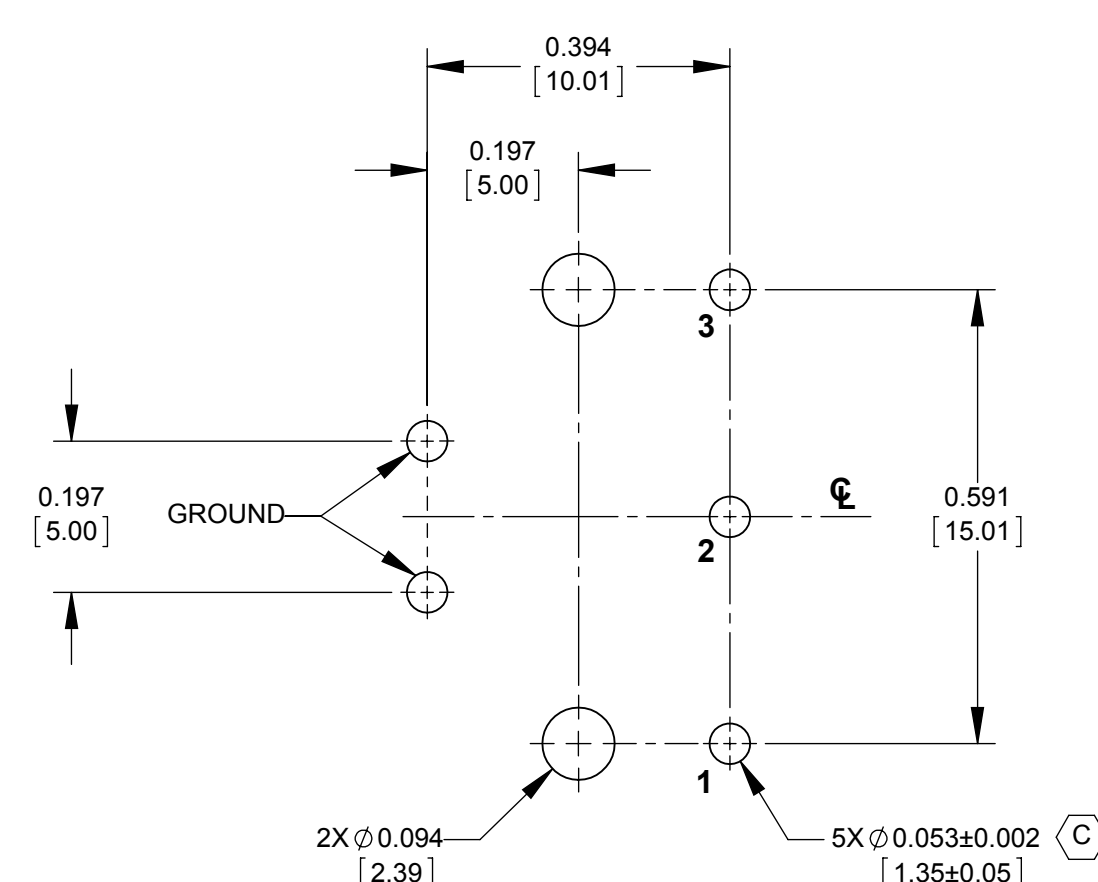
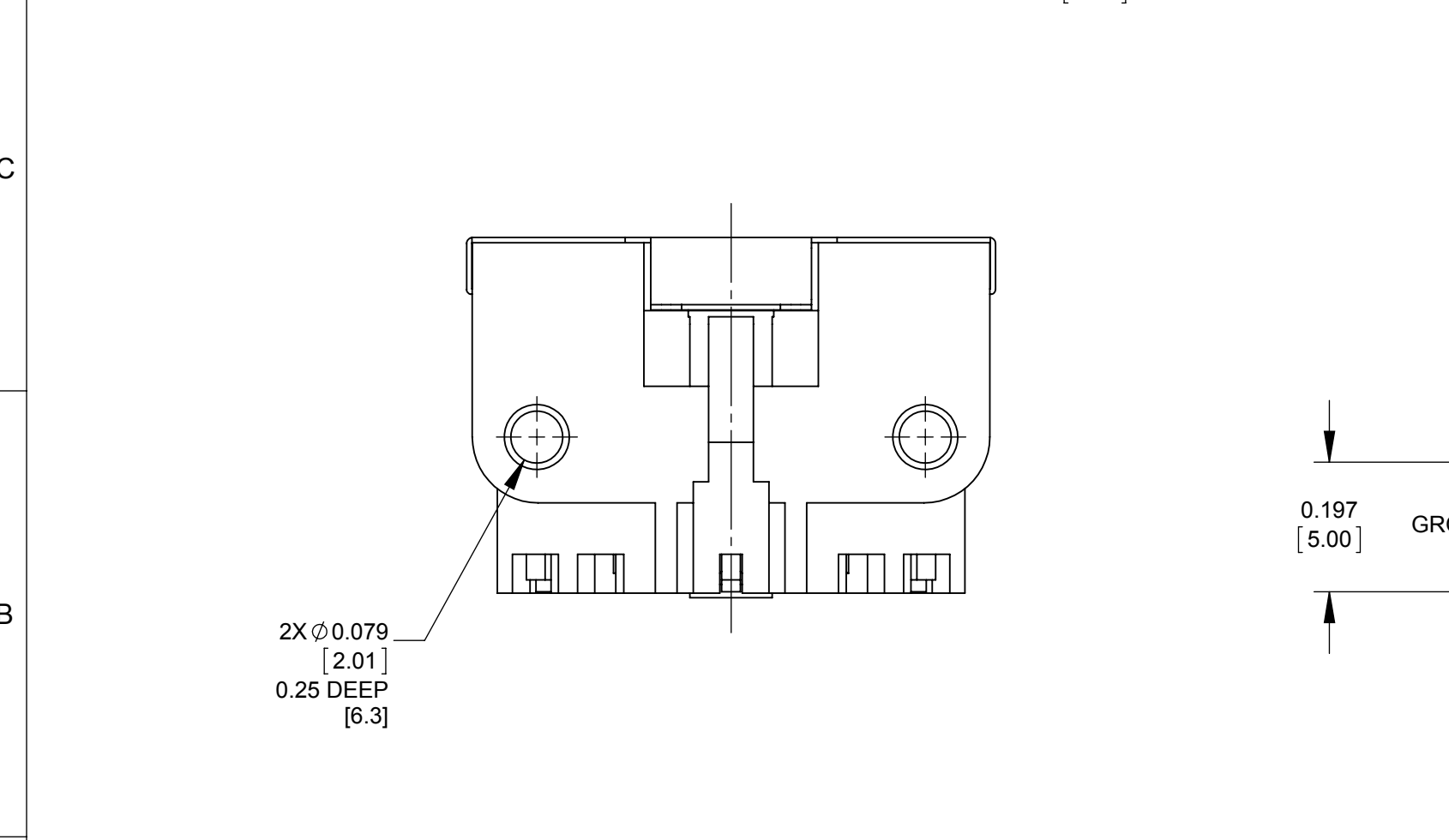
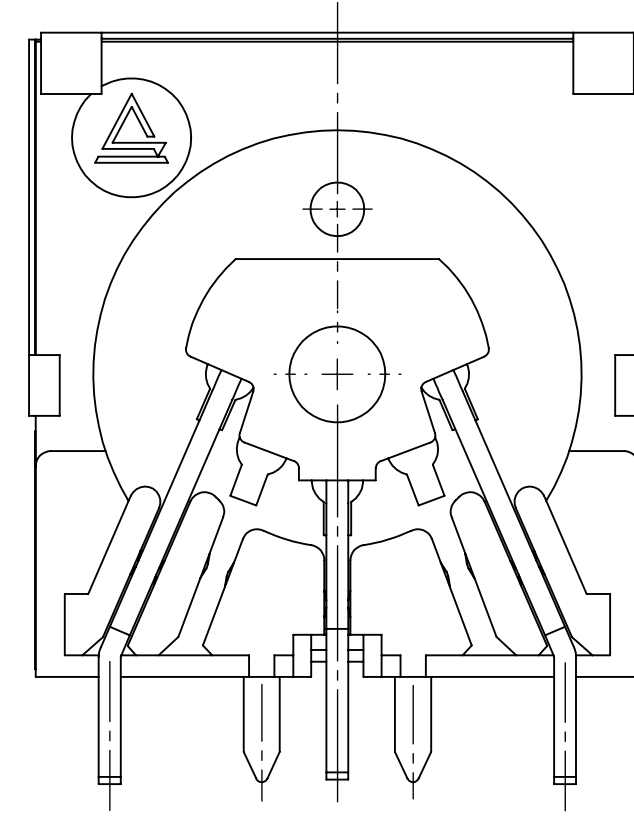
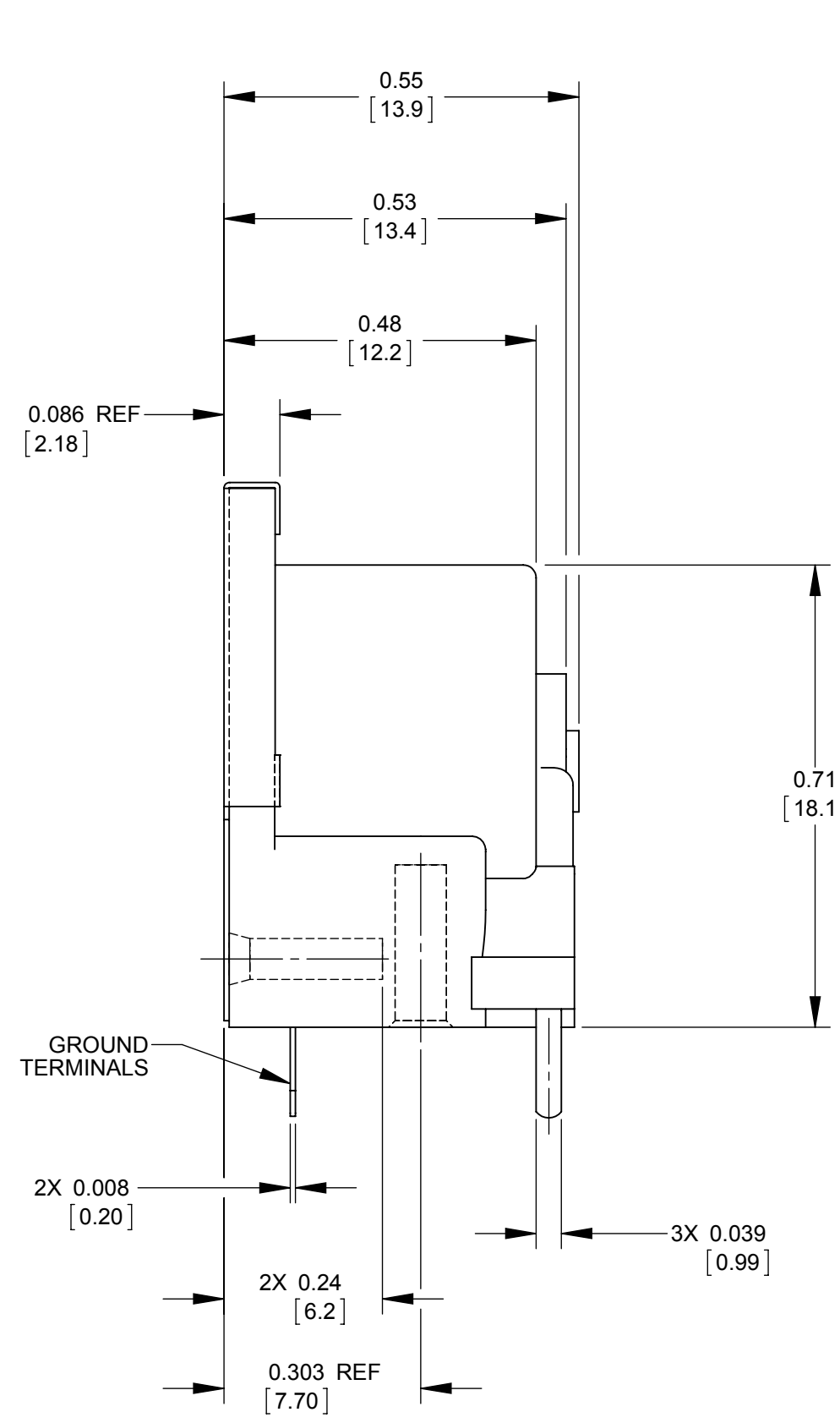
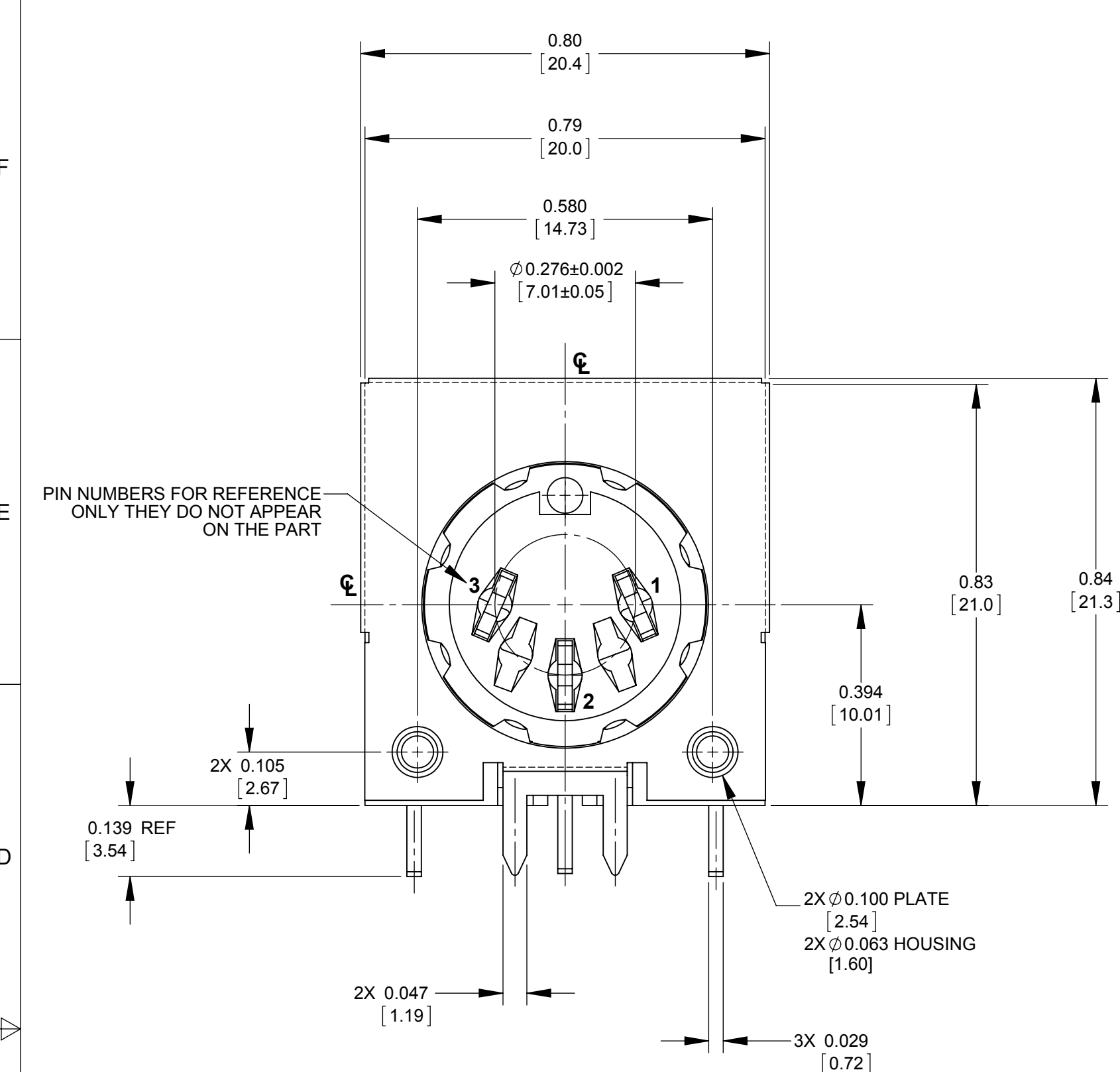


8 7 6 5 4 3 2 1



- NOTES:
- MATERIALS:  
HOUSING - THERMOPLASTIC, BLACK.  
PC TERMINALS - COPPER ALLOY, TIN PLATED.  
GROUND PLATE - SPECIAL COPPER ALLOY, TIN PLATED.  
COVER - PHENOLIC
  - MATES WITH PLUG  
Ø0.520±0.008 [13.21 ±0.20]  
Ø0.536±0.004 [13.61 ±0.10]
  - THIS PRODUCT IS RoHS COMPLIANT.

**RECOMMENDED PC BOARD LAYOUT**  
COMPONENT SIDE

**CUSTOMER DRAWING**

UNLESS OTHERWISE SPECIFIED				THIS DRAWING DESCRIBES A DESIGN CONSIDERED PROPRIETARY IN NATURE, DEVELOPED AND MANUFACTURED BY SWITCHCRAFT INC. AND IS RELEASED ON A CONFIDENTIAL BASIS FOR IDENTIFICATION PURPOSES ONLY.				
1. ALL DIMENSIONS IN INCHES [mm]				SIZE	WIDTH	MULT	LBS/M	TEMPER
- TWO PLACE DECIMALS ±0.02 [0.5]				FINISH		MATERIAL		
- THREE PLACE DECIMALS ±0.005 [0.13]				SPEC No.		SPEC No.		
				FIRST USED ON		SCALE		
						4:1		
DATE DRAWN		BY	CHKD	APVD				
01/05/83		RB	TS	RV				
REV		ECO NUMBER	DATE	BY	APVD	NAME		PART No.
C		CAD REDRAW NO CHANGE - ECO #27408	11/17/14	PC	TJK	RIGHT ANGLE SHIELDED PC FEMALE DIN RECEPTACLE, RoHS		57PC3FS
REVISIONS					DO NOT SCALE DRAWING			
					SolidWorks CAD File			
					SHEET 1 OF 1			
					REV C			

8 7 6 5 4 3 2 1

# Mouser Electronics

Authorized Distributor

Click to View Pricing, Inventory, Delivery & Lifecycle Information:

[Switchcraft:](#)

[57PC3FS](#)