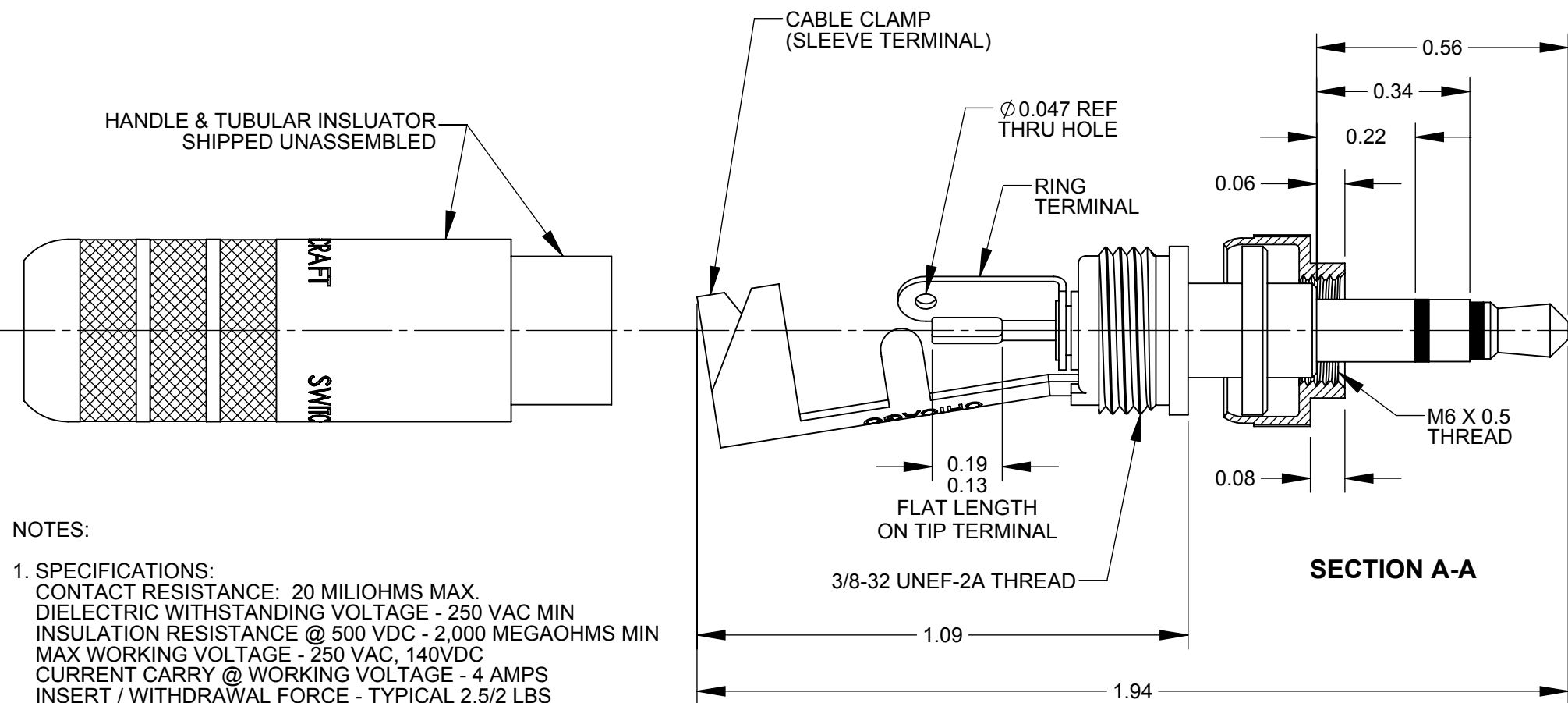


PART NUMBER	HANDLE FINISH	PLUG FINISH	Ø "A" REF CABLE HOLE
35HDLBAU	BLACK MATTE	GOLD PLATED	Ø0.290
35HDLBAUS	BLACK MATTE	GOLD PLATED	Ø0.175
35HDLBN	BLACK MATTE	TIN PLATED	Ø0.290
35HDLBNS	BLACK MATTE	TIN PLATED	Ø0.175
35HDLNAU	NICKEL PLATED	GOLD PLATED	Ø0.290
35HDLNAUS	NICKEL PLATED	GOLD PLATED	Ø0.175
35HDLNNA	NICKEL PLATED	TIN PLATED	Ø0.290
35HDLNNS	NICKEL PLATED	TIN PLATED	Ø0.175



**NOTES:**

**1. SPECIFICATIONS:**

CONTACT RESISTANCE: 20 MILIOHMS MAX.  
 DIELECTRIC WITHSTANDING VOLTAGE - 250 VAC MIN  
 INSULATION RESISTANCE @ 500 VDC - 2,000 MEGAOHMS MIN  
 MAX WORKING VOLTAGE - 250 VAC, 140VDC  
 CURRENT CARRY @ WORKING VOLTAGE - 4 AMPS  
 INSERT / WITHDRAWAL FORCE - TYPICAL 2.5/2 LBS  
 TEMPERATURE RANGE: -20°C TO 85°C (OPERATING)  
 THERMAL SHOCK - MIL-STD-202, METHOD 107G  
 VIBRATION - MIL-STD-202, METHOD 201  
 LIFE - 5,000 CYCLES

**2. MATERIALS:**

PLUG BODY, TIP ROD & RING - COPPER ALLOY, TIN OR GOLD PLATED  
 PLUG INSULATION - THERMOPLASTIC, BLACK  
 RING TERMINAL - COPPER ALLOY, TIN PLATED  
 CABLE CLAMP - STEEL, TIN PLATED  
 COUPLING RING - COPPER ALLOY, NICKEL PLATED  
 HANDLE - COPPER ALLOY, NICKEL PLATED OR BLACK EPOXY  
 TUBULAR INSULATOR - MYLAR

**3. THESE PRODUCTS ARE RoHS COMPLIANT.**

**CUSTOMER DRAWING**

REV	ECO NUMBER	DATE	BY	APVD
A	26681	1-7-11	TO	TJK
REVISIONS				

UNLESS OTHERWISE SPECIFIED

1. ALL DIMENSIONS IN INCHES  
 - TWO PLACE DECIMALS ±0.02  
 - THREE PLACE DECIMALS ±0.005

**DO NOT SCALE DRAWING**

THIS DRAWING DESCRIBES A DESIGN CONSIDERED PROPRIETARY IN NATURE, DEVELOPED AND MANUFACTURED BY SWITCHCRAFT INC. AND IS RELEASED ON A CONFIDENTIAL BASIS FOR IDENTIFICATION PURPOSES ONLY.									
SIZE	WIDTH	MULT	LBS/M	TEMPER					
FINISH					MATERIAL				
SPEC No.					SPEC No.				
FIRST USED ON					SCALE				
					3:1				
DATE DRAWN	BY	CHKD	APVD						
4-26-11	JEB	JEB	TJK						
			4-26-11			10-16-13			
NAME					PART No.				
3.5 MM LOCKING					35HDL_SERIES				
STEREO PLUG, RoHS					REV				
					A				

# Mouser Electronics

Authorized Distributor

Click to View Pricing, Inventory, Delivery & Lifecycle Information:

[Switchcraft:](#)

[35HDLNN](#) [35HDLBNS](#) [35HDLNAU](#) [35HDLBAU](#) [35HDLBAUS](#) [35HDLBN](#) [35HDLNNS](#) [35HDLNAUS](#)