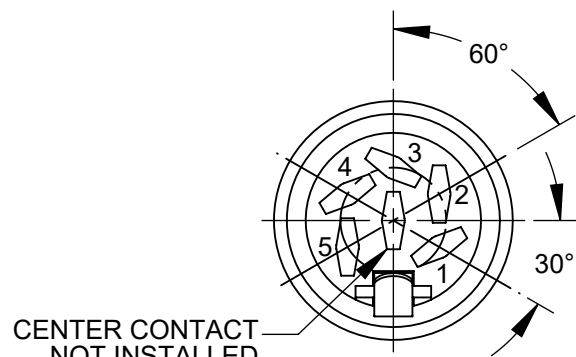
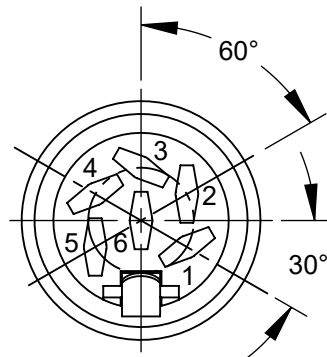


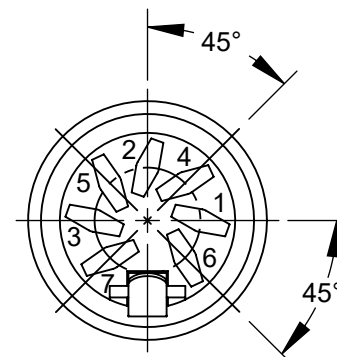
06AL5FX
5 CONTACTS AT 180°



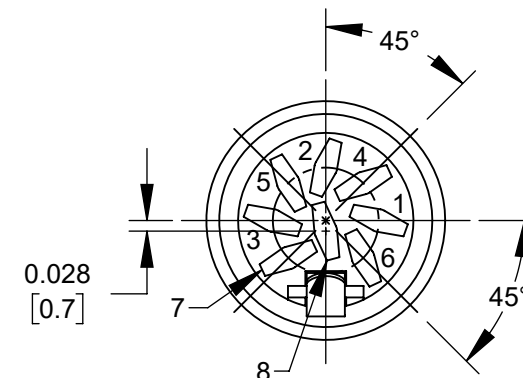
13AL5FX
5 CONTACTS AT 240°



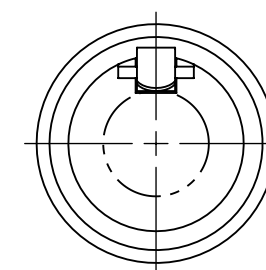
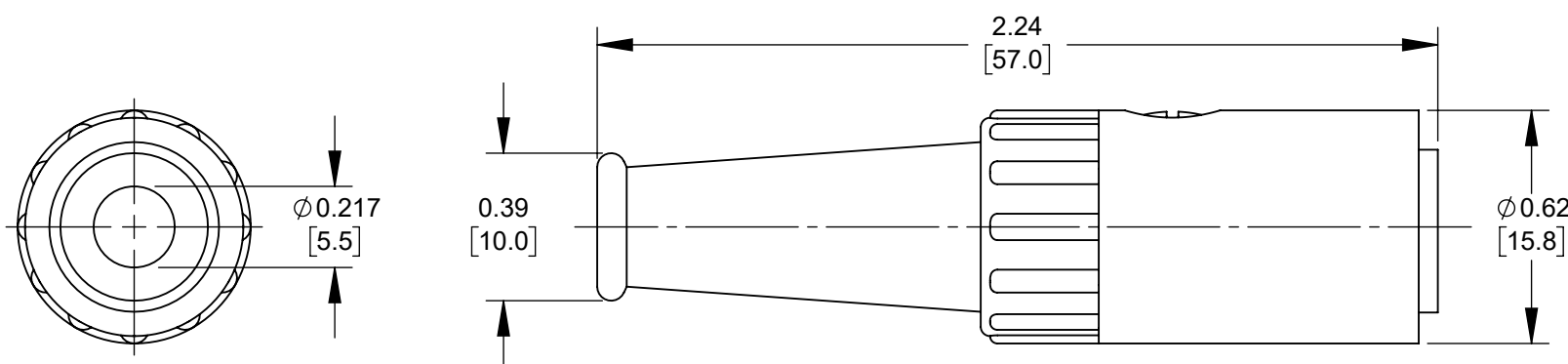
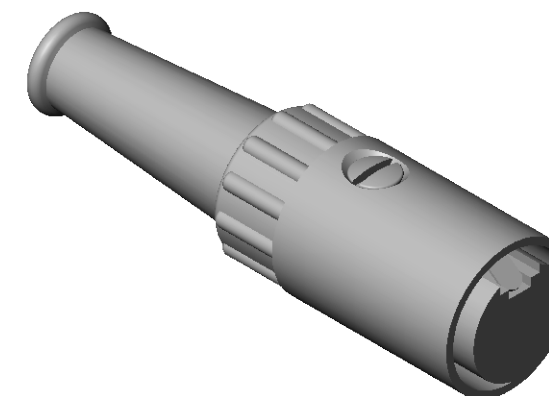
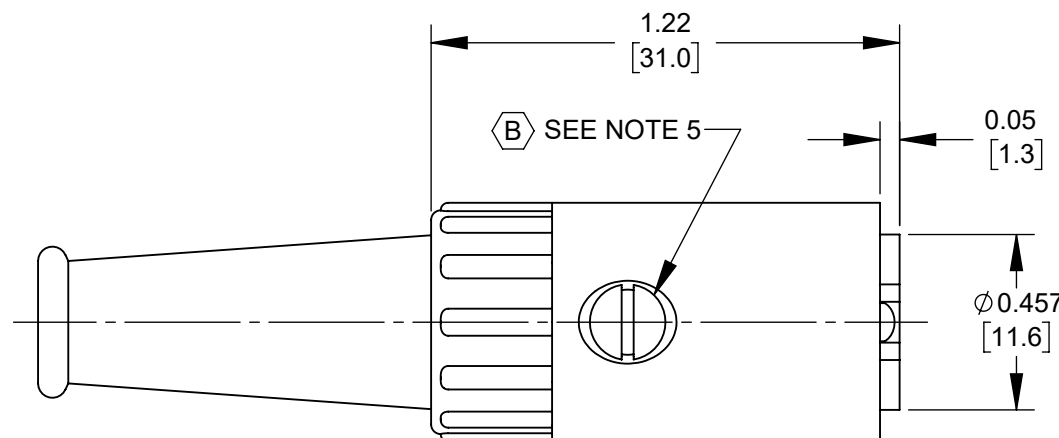
13AL6FX
6 CONTACTS AT 240°



15AL7FX
7 CONTACTS AT 270°



15AL8FX
8 CONTACTS AT 270°



NOTES:

1. SHIPPED ASSEMBLED.
2. 0.04 [1.0mm] X 0.07 [1.7mm] SLOT IN CONTACTS FOR SOLDERING.
3. MATERIALS:
HOUSING - ZINC ALLOY, NICKEL PLATED
INSERT - THERMOPLASTIC, BLACK
CONTACTS - COPPER ALLOY, TIN PLATED
FLEX RELIEF - THERMOPLASTIC, BLACK
CABLE CLAMP - STEEL, NICKEL PLATED
SCREW - STEEL, NICKEL PLATED
4. THESE PRODUCTS ARE RoHS COMPLIANT.
- B 5. SCREW DRIVE MAY BE SLOTTED, CROSS RECESS, T8, COMBINATION SLOTTED/CROSS RECESS OR COMBINATION SLOTTED/T8.

CUSTOMER DRAWING

					UNLESS OTHERWISE SPECIFIED 1. ALL DIMENSIONS IN INCHES [mm] - TWO PLACE DECIMALS ±0.02 [0.5] - THREE PLACE DECIMALS ±0.005 [0.13]					THIS DRAWING DESCRIBES A DESIGN CONSIDERED PROPRIETARY IN NATURE, DEVELOPED AND MANUFACTURED BY SWITCHCRAFT INC. AND IS RELEASED ON A CONFIDENTIAL BASIS FOR IDENTIFICATION PURPOSES ONLY.				
										SIZE	WIDTH	MULT	LBS/M	TEMPER
REVISIONS					DO NOT SCALE DRAWING					SPEC No.		SCALE		
										FIRST USED ON		SCALE 2:1		
REV	ECO NUMBER	DATE	BY	APVD	DATE DRAWN	BY	CHKD TO	APVD TJK	SHEET 1 OF 1		PART No. 06AL_FX, 13AL_FX, 15AL_FX_SERIES		REV	
B	28667	3/28/24	PC	TJK	10-Jun-13	TO	6-10-13	6-10-13					B	

Mouser Electronics

Authorized Distributor

Click to View Pricing, Inventory, Delivery & Lifecycle Information:

[Switchcraft:](#)

[06AL5FX](#)