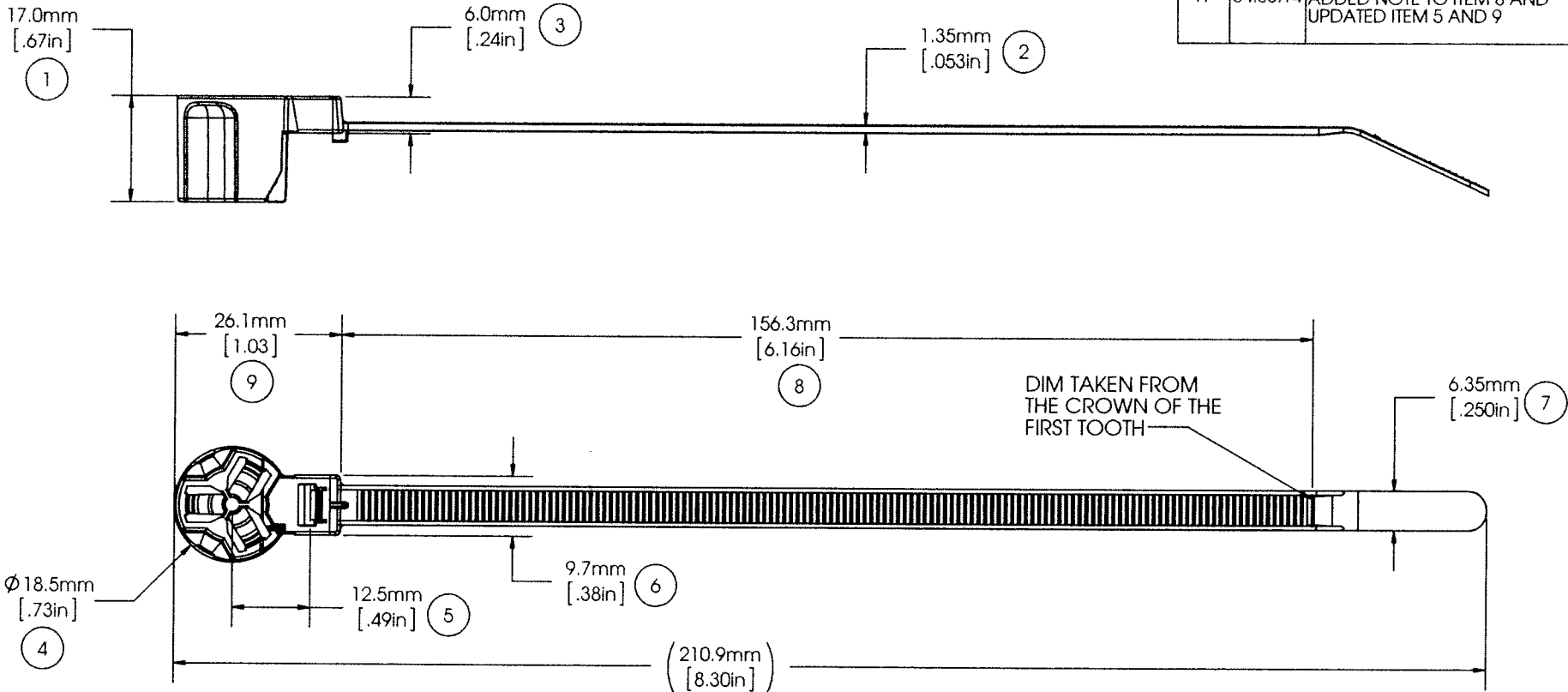


AVERY DENNISON MARKETING SPECIFICATION

HISTORY

THE SUBJECT MATTER DISCLOSED HEREIN EMBODIES PROPRIETARY INFORMATION WHICH IS THE CONFIDENTIAL PROPERTY OF THE AVERY DENNISON CO. NONE OF WHICH SHALL BE COPIED, REPRODUCED, DISCLOSED TO OTHERS, PUBLISHED OR USED IN WHOLE OR IN PART, FOR ANY PURPOSE OTHER THAN THAT FOR WHICH IT IS BEING MADE AVAILABLE, WITHOUT THE EXPRESS ADVANCE WRITTEN PERMISSION OF A DULY AUTHORIZED AGENT OF THE COMPANY. THIS DOCUMENT IS THE PROPERTY OF THE AVERY DENNISON CO. AND IS TO BE RETURNED TO THE COMPANY ON DEMAND.

REV.	DATE	DESCRIPTION
G	05.01.13	UPDATED TO NEW FORMAT; RENUMBERED DUE TO REMOVAL OF BALLOON 5; CHG 6.20IN DIM TO 6.15IN
H	04.03.14	ADDED NOTE TO ITEM 8 AND UPDATED ITEM 5 AND 9



MOUNTING:	M8 STUD
TENSILE STRENGTH:	50 LBF / 22.7 KGF MIN.
OPERATING TEMP RANGE:	-40°F (-40°C) TO 220°F (105°C)
WEIGHT:	3.37 GRAMS
BUNDLE DIAMETER:	Ø 1.6MM TO Ø 44.5MM
TOOL:	TOOL HAND ADJUSTABLE, FOR PLASTIC TIE DOWN STRAP. AVERY DENNISON PART NO. 12001-0
TOOL TENSION SETTING:	6 - 8
PACKAGING:	500/BAG, 10 BAGS/MASTER

APPROVALS: ENG. APPR. *Wendy M. ...* 4/4/14
Q.A. APPR. *Caitlin Williamson* 4/3/2014



SPECIFIED TOLERANCES ARE:		MATERIAL	DESCRIPTION
.XX ± .03 INCHES	.X ± .7 MM	NYLON 6/6, IMPACT MODIFIED, HEAT STABILIZED	M8 WELD STUD TIE
.XXX ± .01 INCHES	.XX ± .25 MM	COLOR	STOCK NO.
ANGULAR: ± 2°		BLACK	20011-0
			REV. H

Mouser Electronics

Authorized Distributor

Click to View Pricing, Inventory, Delivery & Lifecycle Information:

[Avery Dennison:](#)

[20011-0](#)