



VERTICAL DEFLECTION CIRCUIT

- RAMP GENERATOR
- INDEPENDENT AMPLITUDE ADJUSTEMENT
- BUFFER STAGE
- POWER AMPLIFIER
- FLYBACK GENERATOR
- INTERNAL REFERENCE VOLTAGE
- THERMAL PROTECTION

DESCRIPTION

The TDA1771 is a monolithic integrated circuit in SIP10 package.

It is a full performance and very efficient vertical deflection circuit intended for direct drive of a TV picture tube in Color and B & W television as well as in Monitor and Data displays.

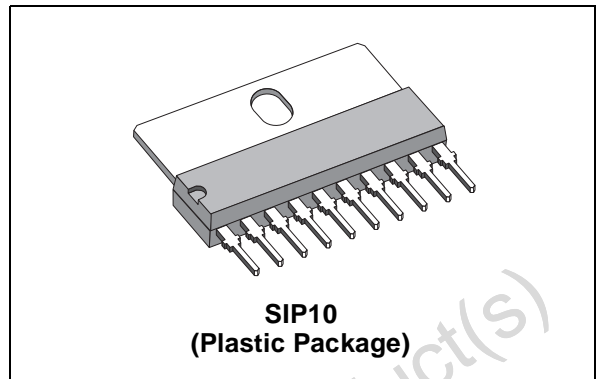


Figure 1. PIN CONNECTIONS (Top View)

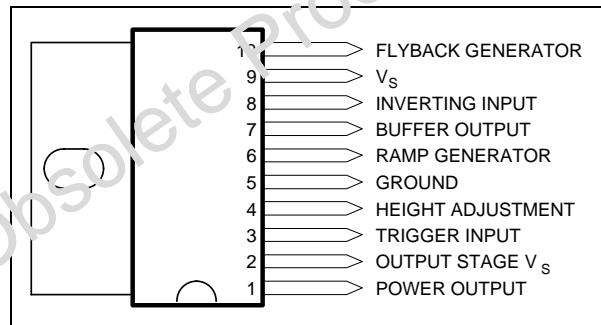
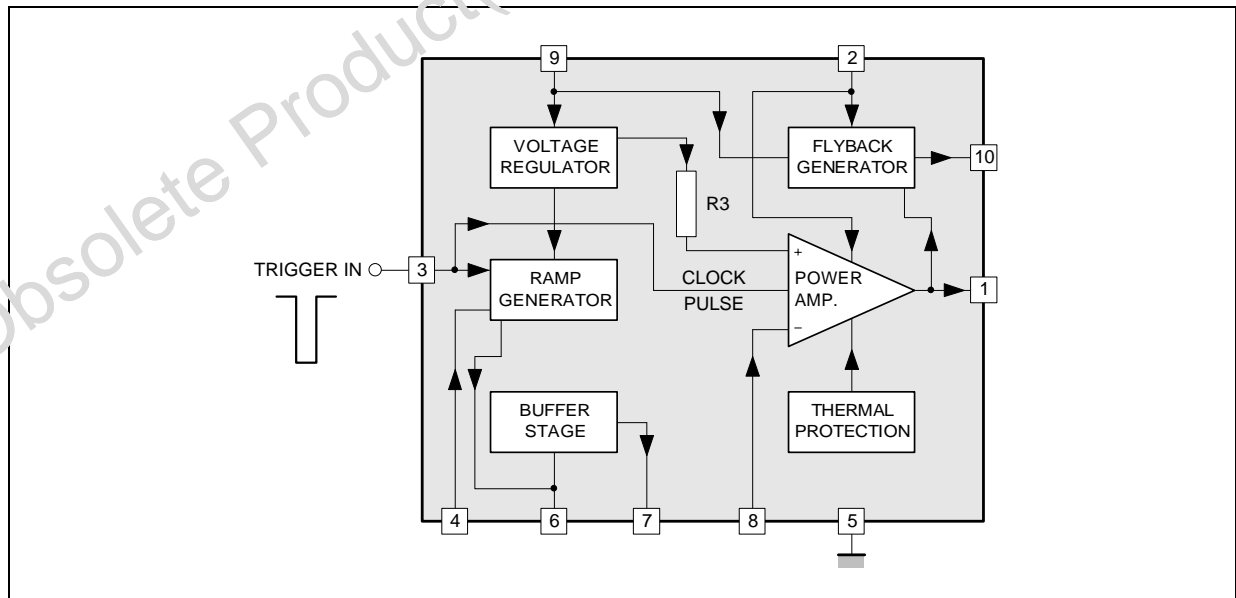


Figure 2. BLOCK DIAGRAM



TDA1771

ABSOLUTE MAXIMUM RATINGS

Symbol	Parameter	Value	Unit
V_S	Supply Voltage	30	V
V_1, V_2	Flyback Peak Voltage	65	V
V_3	Trigger Input Voltage	20	V
V_8	Amplifier Input Voltage	GNDto V_S	V
I_0	Output Peak to Peak Current (non repetitive t = 2ms)	6	A
I_0	Output Peak to Peak Current t > 10 μ s	4	A
I_{10}	Pin 10 DC Current at $V_1 < V_9$	100	mA
I_{10}	Pin 10 Peak to Peak Current @ $t_{fly} < 1.5$ ms	3	A
P_{tot}	Total Power Dissipation @ $T_{tab} = 60^\circ\text{C}$	9	W
T_S, T_J	Storage and Junction Temperature	- 40, + 150	$^\circ\text{C}$

THERMAL DATA

Symbol	Parameter+	Value	Unit
$R_{th} (j-tab)$	Thermal Resistance Junction-tab	Max. 10	$^\circ\text{C/W}$
$R_{th} (j-a)$	Thermal Resistance Junction-ambient	Max. 70	$^\circ\text{C/W}$

ELECTRICAL CHARACTERISTICS ($T_{amb} = 25^\circ\text{C}$ unless otherwise specified)

Symbol	Parameter	TestConditions	Min.	Typ.	Max.	Unit
DC($V_S=30\text{V}$)						
I_2	Pin 2 Quiescent Current	$I_1 = 0, I_{10} = 0$		16	36	mA
I_9	Pin 9 Quiescent Current	$I_1 = 0, I_{10} = 0$		15	30	mA
$-I_6$	Ramp Generator Bias Current	$V_6 = 0$			0.5	μA
$-I_6$	Ramp Generator Current	$V_6 = 0, -I_4 = 20\mu\text{A}$	18.5	20	21.5	μA
dI_6/I_6	Ramp Gener. Linearity	$V_6 = 0$ to 15V, $-I_4 = 20\mu\text{A}$		0.2	1	%
V_1	Quiescent Output Voltage	$R_a = 30\text{k}\Omega, R_b = 10\text{k}\Omega, V_S = 30\text{V}$	17.0	17.8	18.6	V
		$R_a = 6.8\text{k}\Omega, R_b = 10\text{k}\Omega, V_S = 15\text{V}$	7.2	7.5	7.8	V
V_{1L}	Out Saturation Voltage to GND	$I_1 = 0.5\text{A}$		0.5	1	V
		$I_1 = 1.2\text{A}$		1	1.4	V
V_{1H}	Out Saturation Voltage to V_S	$-I_1 = 0.5\text{A}$		1.1	1.6	V
		$-I_1 = 1.2\text{A}$		1.6	2.2	V
V_4	Reference Voltage	$-I_4 = 20\mu\text{A}$	6.3	6.6	6.9	V
dV_4/V_S	Reference Voltage Drift Versus V_S	$V_S = 10\text{V}$ to 30V		1	2	mV/V
dV_4/dI_4	Reference Voltage Drift Versus I_4	$I_4 = 10\mu\text{A}$ to 30 μA		1.5	2	mV/ μA
V_r	Internal Ref. Voltage		4.26	4.40	4.54	V
G_v	Output Stage Open Loop Gain	f = 100Hz		60		dB
V_{fs}	$V_9 - 10$ Saturation Voltage	$-I_{10} = 1.2\text{A}$		1.5	2.5	V
V_{10}	Pin 10 Scanning Voltage	$I_{10} = 20\text{mA}$		1.7	3	V
V_3	Trigger Input Threshold	(see note 1)	2.6	3.0	3.4	V
I_3	Trigger Input Bias Current	$V_{IN} = V_3 - 0.2\text{V}$			30	μA
t_3	Trigger Input Width	(see note 2)	20	60	th	μs

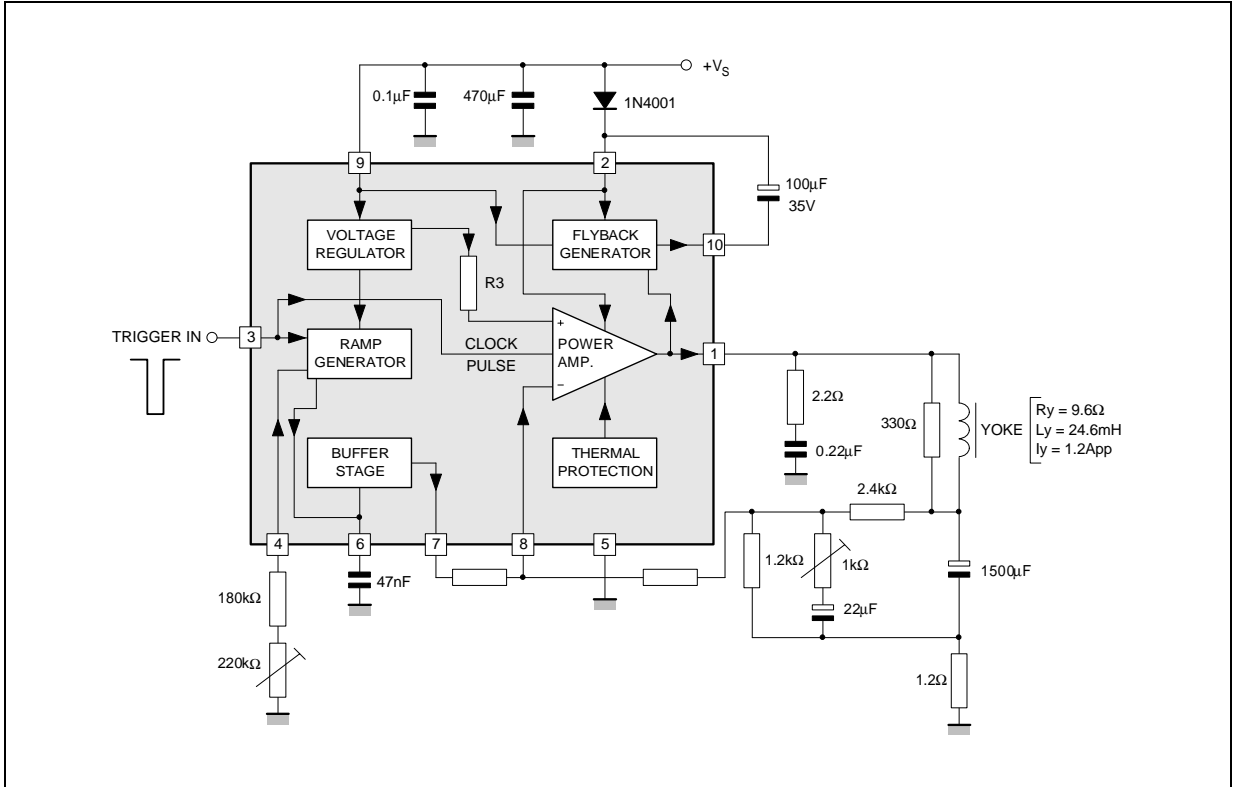
Notes:

- The trigger input circuit can accept, with a metal option, positive and negative going pulses.
- $t_h = \frac{1.2 \cdot t_S}{V_{PP}}$ where t_S is the vertical period and V_{PP} is ramp amplitude at Pin 6.

ELECTRICAL CHARACTERISTICS ($T_{amb} = 25^{\circ}\text{C}$ unless otherwise specified)

Symbol	Parameter	Test Conditions	Min.	Typ.	Max.	Unit
DC ($V_S = 24\text{V}$)						
V_S	Operating Supply Voltage Range		10		30	V
I_1	Peak-to-peak Operating Current Range		0.4		2.5	A
I_S	Supply Current	$I_Y = 2.4\text{A}_{pp}$		315		mA
V_1	Flyback Voltage	$I_Y = 2.4\text{A}_{pp}$		51		V
V_7	Sawtooth Pedestal Voltage			1.85		V
T_{JS}	Junction Temp. for Thermal Shutdown			145		$^{\circ}\text{C}$

APPLICATION CIRCUIT

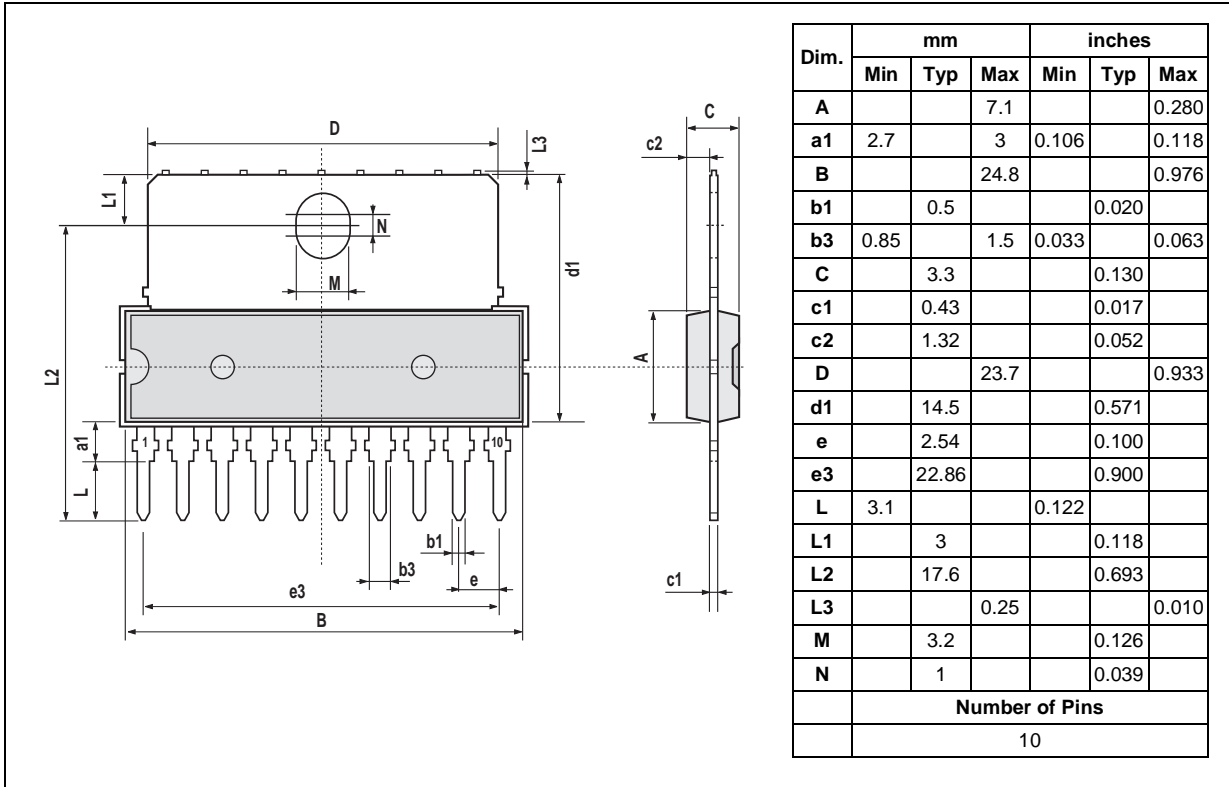


TDA1771

PACKAGE MECHANICAL DATA

10 PINS - PLASTIC SIP

Figure 3. 10-Pin Plastic Single in Line Package



Information furnished is believed to be accurate and reliable. However, STMicroelectronics assumes no responsibility for the consequences of use of such information nor for any infringement of patents or other rights of third parties which may result from its use. No license is granted by implication or otherwise under any patent or patent rights of STMicroelectronics. Specifications mentioned in this publication are subject to change without notice. This publication supersedes and replaces all information previously supplied. STMicroelectronics products are not authorized for use as critical components in life support devices or systems without the express written approval of STMicroelectronics.

The ST logo is a registered trademark of STMicroelectronics

©2003 STMicroelectronics - All Rights Reserved.



Purchase of I²C Components by STMicroelectronics conveys a license under the Philips I²C Patent. Rights to use these components in an I²C system is granted provided that the system conforms to the I²C Standard Specification as defined by Philips.

STMicroelectronics Group of Companies

Australia - Brazil - China - Finland - France - Germany - Hong Kong - India - Italy - Japan - Malaysia - Malta - Morocco - Singapore - Spain
Sweden - Switzerland - United Kingdom - U.S.A.

<http://www.st.com>

Mouser Electronics

Authorized Distributor

Click to View Pricing, Inventory, Delivery & Lifecycle Information:

[STMicroelectronics:](#)

[TDA1771](#)