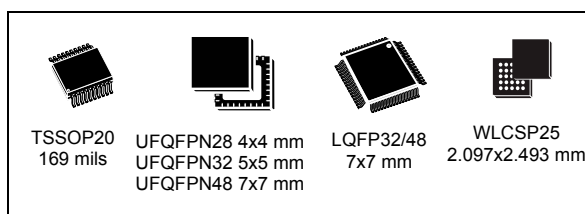


## Access line ultra-low-power 32-bit MCU Arm<sup>®</sup>-based Cortex<sup>®</sup>-M0+, up to 32KB Flash, 8KB SRAM, 1KB EEPROM, ADC

Datasheet - production data

### Features

- Ultra-low-power platform
  - 1.65 V to 3.6 V power supply
  - -40 to 125 °C temperature range
  - 0.23 µA Standby mode (2 wakeup pins)
  - 0.35 µA Stop mode (16 wakeup lines)
  - 0.6 µA Stop mode + RTC + 8 KB RAM retention
  - Down to 76 µA/MHz in Run mode
  - 5 µs wakeup time (from Flash memory)
  - 41 µA 12-bit ADC conversion at 10 ksps
- Core: Arm<sup>®</sup> 32-bit Cortex<sup>®</sup>-M0+
  - From 32 kHz up to 32 MHz max.
  - 0.95 DMIPS/MHz
- Reset and supply management
  - Ultra-safe, low-power BOR (brownout reset) with 5 selectable thresholds
  - Ultralow power POR/PDR
  - Programmable voltage detector (PVD)
- Clock sources
  - 1 to 25 MHz crystal oscillator
  - 32 kHz oscillator for RTC with calibration
  - High speed internal 16 MHz factory-trimmed RC (+/- 1%)
  - Internal low-power 37 kHz RC
  - Internal multispeed low-power 65 kHz to 4.2 MHz RC
  - PLL for CPU clock
- Pre-programmed bootloader
  - USART, SPI supported
- Development support
  - Serial wire debug supported
- Up to 38 fast I/Os (31 I/Os 5V tolerant)
- Memories
  - Up to 32-Kbyte Flash with ECC
  - 8-Kbyte RAM
  - 1-Kbyte of data EEPROM with ECC
  - 20-byte backup register
  - Sector protection against R/W operation



- Rich Analog peripherals
  - 12-bit ADC 1.14 Msps up to 10 channels (down to 1.65 V)
  - 2x ultra-low-power comparators (window mode and wake up capability, down to 1.65 V)
- 7-channel DMA controller, supporting ADC, SPI, I2C, USART, Timers
- 5x peripherals communication interface
- 1x USART (ISO 7816, IrDA), 1x UART (low power)
- Up to 2 SPI interfaces, up to 16 Mbps/s
- 1x I2C (SMBus/PMBus)
- 8x timers: 1x 16-bit with up to 4 channels, 2x 16-bit with up to 2 channels, 1x 16-bit ultra-low-power timer, 1x SysTick, 1x RTC and 2x watchdogs (independent/window)
- CRC calculation unit, 96-bit unique ID
- All packages are ECOPACK<sup>®2</sup>

Table 1. Device summary

Reference	Part number
STM32L031x4	STM32L031G4, STM32L031K4, STM32L031C4, STM32L031E4, STM32L031F4
STM32L031x6	STM32L031G6, STM32L031K6, STM32L031C6, STM32L031E6, STM32L031F6

# Contents

- 1 Introduction ..... 9**
- 2 Description ..... 10**
  - 2.1 Device overview .....11
  - 2.2 Ultra-low-power device continuum ..... 14
- 3 Functional overview ..... 15**
  - 3.1 Low-power modes ..... 15
  - 3.2 Interconnect matrix ..... 19
  - 3.3 Arm® Cortex®-M0+ core ..... 20
  - 3.4 Reset and supply management ..... 21
    - 3.4.1 Power supply schemes ..... 21
    - 3.4.2 Power supply supervisor ..... 21
    - 3.4.3 Voltage regulator ..... 22
    - 3.4.4 Boot modes ..... 22
  - 3.5 Clock management ..... 23
  - 3.6 Low-power real-time clock and backup registers ..... 25
  - 3.7 General-purpose inputs/outputs (GPIOs) ..... 25
  - 3.8 Extended interrupt/event controller (EXTI) ..... 26
  - 3.9 Memories ..... 26
  - 3.10 Direct memory access (DMA) ..... 26
  - 3.11 Analog-to-digital converter (ADC) ..... 27
  - 3.12 Temperature sensor ..... 27
    - 3.12.1 Internal voltage reference (V<sub>REFINT</sub>) ..... 28
  - 3.13 Ultra-low-power comparators and reference voltage ..... 28
  - 3.14 System configuration controller ..... 28
  - 3.15 Timers and watchdogs ..... 29
    - 3.15.1 General-purpose timers (TIM2, TIM21 and TIM22) ..... 29
    - 3.15.2 Low-power timer (LPTIM) ..... 30
    - 3.15.3 SysTick timer ..... 30
    - 3.15.4 Independent watchdog (IWDG) ..... 30
    - 3.15.5 Window watchdog (WWDG) ..... 30

3.16	Communication interfaces	31
3.16.1	I2C bus	31
3.16.2	Universal synchronous/asynchronous receiver transmitter (USART)	31
3.16.3	Low-power universal asynchronous receiver transmitter (LPUART)	32
3.16.4	Serial peripheral interface (SPI)	33
3.17	Cyclic redundancy check (CRC) calculation unit	33
3.18	Serial wire debug port (SW-DP)	33
<b>4</b>	<b>Pin descriptions</b>	<b>34</b>
<b>5</b>	<b>Memory mapping</b>	<b>47</b>
<b>6</b>	<b>Electrical characteristics</b>	<b>48</b>
6.1	Parameter conditions	48
6.1.1	Minimum and maximum values	48
6.1.2	Typical values	48
6.1.3	Typical curves	48
6.1.4	Loading capacitor	48
6.1.5	Pin input voltage	48
6.1.6	Power supply scheme	49
6.1.7	Current consumption measurement	49
6.2	Absolute maximum ratings	50
6.3	Operating conditions	52
6.3.1	General operating conditions	52
6.3.2	Embedded reset and power control block characteristics	53
6.3.3	Embedded internal reference voltage	55
6.3.4	Supply current characteristics	56
6.3.5	Wakeup time from low-power mode	66
6.3.6	External clock source characteristics	68
6.3.7	Internal clock source characteristics	72
6.3.8	PLL characteristics	75
6.3.9	Memory characteristics	75
6.3.10	EMC characteristics	77
6.3.11	Electrical sensitivity characteristics	78
6.3.12	I/O current injection characteristics	79
6.3.13	I/O port characteristics	80
6.3.14	NRST pin characteristics	84

---

6.3.15	12-bit ADC characteristics	85
6.3.16	Temperature sensor characteristics	88
6.3.17	Comparators	89
6.3.18	Timer characteristics	90
6.3.19	Communications interfaces	91
<b>7</b>	<b>Package information</b>	<b>97</b>
7.1	LQFP48 package information	97
7.2	UFQFPN48 package information	101
7.3	LQFP32 package information	104
7.4	UFQFPN32 package information	107
7.5	UFQFPN28 package information	109
7.6	WLCSP25 package information	112
7.7	TSSOP20 package information	115
7.8	Thermal characteristics	118
7.8.1	Reference document	119
<b>8</b>	<b>Ordering information</b>	<b>120</b>
<b>9</b>	<b>Revision history</b>	<b>121</b>

## List of tables

Table 1.	Device summary . . . . .	1
Table 2.	Ultra-low-power STM32L031x4/x6 device features and peripheral counts . . . . .	11
Table 3.	Functionalities depending on the operating power supply range . . . . .	17
Table 4.	CPU frequency range depending on dynamic voltage scaling . . . . .	17
Table 5.	Functionalities depending on the working mode (from Run/active down to standby) . . . . .	17
Table 6.	STM32L0xx peripherals interconnect matrix . . . . .	19
Table 7.	Temperature sensor calibration values . . . . .	27
Table 8.	Internal voltage reference measured values . . . . .	28
Table 9.	Timer feature comparison . . . . .	29
Table 10.	Comparison of I2C analog and digital filters . . . . .	31
Table 11.	STM32L031x4/6 I <sup>2</sup> C implementation . . . . .	31
Table 12.	USART implementation . . . . .	32
Table 13.	SPI implementation . . . . .	33
Table 14.	Legend/abbreviations used in the pinout table . . . . .	38
Table 15.	Pin definitions . . . . .	39
Table 16.	Alternate functions . . . . .	45
Table 17.	Voltage characteristics . . . . .	50
Table 18.	Current characteristics . . . . .	51
Table 19.	Thermal characteristics . . . . .	51
Table 20.	General operating conditions . . . . .	52
Table 21.	Embedded reset and power control block characteristics . . . . .	53
Table 22.	Embedded internal reference voltage calibration values . . . . .	55
Table 23.	Embedded internal reference voltage . . . . .	55
Table 24.	Current consumption in Run mode, code with data processing running from Flash memory . . . . .	57
Table 25.	Current consumption in Run mode vs code type, code with data processing running from Flash memory . . . . .	57
Table 26.	Current consumption in Run mode, code with data processing running from RAM . . . . .	59
Table 27.	Current consumption in Run mode vs code type, code with data processing running from RAM . . . . .	59
Table 28.	Current consumption in Sleep mode . . . . .	60
Table 29.	Current consumption in Low-power run mode . . . . .	61
Table 30.	Current consumption in Low-power sleep mode . . . . .	62
Table 31.	Typical and maximum current consumptions in Stop mode . . . . .	63
Table 32.	Typical and maximum current consumptions in Standby mode . . . . .	64
Table 33.	Average current consumption during wakeup . . . . .	64
Table 34.	Peripheral current consumption in Run or Sleep mode . . . . .	65
Table 35.	Peripheral current consumption in Stop and Standby mode . . . . .	66
Table 36.	Low-power mode wakeup timings . . . . .	67
Table 37.	High-speed external user clock characteristics . . . . .	68
Table 38.	Low-speed external user clock characteristics . . . . .	69
Table 39.	HSE oscillator characteristics . . . . .	70
Table 40.	LSE oscillator characteristics . . . . .	71
Table 41.	16 MHz HSI16 oscillator characteristics . . . . .	72
Table 42.	LSI oscillator characteristics . . . . .	73
Table 43.	MSI oscillator characteristics . . . . .	73
Table 44.	PLL characteristics . . . . .	75

Table 45.	RAM and hardware registers	75
Table 46.	Flash memory and data EEPROM characteristics	75
Table 47.	Flash memory and data EEPROM endurance and retention	76
Table 48.	EMS characteristics	77
Table 49.	EMI characteristics	78
Table 50.	ESD absolute maximum ratings	78
Table 51.	Electrical sensitivities	79
Table 52.	I/O current injection susceptibility	79
Table 53.	I/O static characteristics	80
Table 54.	Output voltage characteristics	82
Table 55.	I/O AC characteristics	83
Table 56.	NRST pin characteristics	84
Table 57.	ADC characteristics	85
Table 58.	$R_{AIN}$ max for $f_{ADC} = 16$ MHz	87
Table 59.	ADC accuracy	87
Table 60.	Temperature sensor calibration values	88
Table 61.	Temperature sensor characteristics	89
Table 62.	Comparator 1 characteristics	89
Table 63.	Comparator 2 characteristics	90
Table 64.	TIMx characteristics	90
Table 65.	I2C analog filter characteristics	91
Table 66.	SPI characteristics in voltage Range 1	92
Table 67.	SPI characteristics in voltage Range 2	93
Table 68.	SPI characteristics in voltage Range 3	94
Table 69.	LQFP48 - 48-pin low-profile quad flat package, 7 x 7 mm, package mechanical data	98
Table 70.	UFQFPN48 - 48-lead, 7x7 mm, 0.5 mm pitch, ultra thin fine pitch quad flat package mechanical data	102
Table 71.	LQFP32, 7 x 7 mm, 32-pin low-profile quad flat package mechanical data	105
Table 72.	UFQFPN32 - 32-pin, 5x5 mm, 0.5 mm pitch ultra thin fine pitch quad flat package mechanical data	107
Table 73.	UFQPN28 - 28-lead, 4 x 4 mm, 0.5 mm pitch, ultra thin fine pitch quad flat package mechanical data	109
Table 74.	WLCSP25 - 2.097 x 2.493 mm, 0.400 mm pitch wafer level chip scale mechanical data	112
Table 75.	WLCSP25 recommended PCB design rules	113
Table 76.	TSSOP20 – 20-lead thin shrink small outline, 6.5 x 4.4 mm, 0.65 mm pitch, package mechanical data	115
Table 77.	Thermal characteristics	118
Table 78.	STM32L031x4/6 ordering information scheme	120
Table 79.	Document revision history	121

## List of figures

Figure 1.	STM32L031x4/6 block diagram	13
Figure 2.	Clock tree	24
Figure 3.	STM32L031x4/6 UFQFPN48	34
Figure 4.	STM32L031x4/6 LQFP48	35
Figure 5.	STM32L031x4/6 LQFP32 pinout	35
Figure 6.	STM32L031x4/6 UFQFPN32 pinout	36
Figure 7.	STM32L031x4/6 UFQFPN28 pinout	36
Figure 8.	STM32L031 UFQFPN28 pinout	37
Figure 9.	STM32L031x4/6 TSSOP20 pinout	37
Figure 10.	STM32L031x4/6 WLCSP25 pinout	38
Figure 11.	Pin loading conditions	48
Figure 12.	Pin input voltage	48
Figure 13.	Power supply scheme	49
Figure 14.	Current consumption measurement scheme	49
Figure 15.	IDD vs VDD, at TA= 25/55/85/105 °C, Run mode, code running from Flash memory, Range 2, HSE = 16 MHz, 1WS	58
Figure 16.	IDD vs VDD, at TA= 25/55/85/105 °C, Run mode, code running from Flash memory, Range 2, HSI16, 1WS	58
Figure 17.	IDD vs VDD, at TA= 25/55/ 85/105/125 °C, Low-power run mode, code running from RAM, Range 3, MSI (Range 0) at 64 KHz, 0 WS	62
Figure 18.	IDD vs VDD, at TA= 25/55/ 85/105/125 °C, Stop mode with RTC enabled and running on LSE Low drive	63
Figure 19.	IDD vs VDD, at TA= 25/55/85/105/125 °C, Stop mode with RTC disabled, all clocks off	63
Figure 20.	High-speed external clock source AC timing diagram	68
Figure 21.	Low-speed external clock source AC timing diagram	69
Figure 22.	HSE oscillator circuit diagram	70
Figure 23.	Typical application with a 32.768 kHz crystal	71
Figure 24.	HSI16 minimum and maximum value versus temperature	73
Figure 25.	VIH/VIL versus VDD (CMOS I/Os)	81
Figure 26.	VIH/VIL versus VDD (TTL I/Os)	81
Figure 27.	I/O AC characteristics definition	84
Figure 28.	Recommended NRST pin protection	85
Figure 29.	ADC accuracy characteristics	88
Figure 30.	Typical connection diagram using the ADC	88
Figure 31.	SPI timing diagram - slave mode and CPHA = 0	95
Figure 32.	SPI timing diagram - slave mode and CPHA = 1 <sup>(1)</sup>	95
Figure 33.	SPI timing diagram - master mode <sup>(1)</sup>	96
Figure 34.	LQFP48, 7 x 7 mm, 48-pin low-profile quad flat package outline	97
Figure 35.	LQFP48 recommended footprint	99
Figure 36.	Example of LQFP48 marking (package top view)	100
Figure 37.	UFQFPN48 - 48-lead, 7x7 mm, 0.5 mm pitch, ultra thin fine pitch quad flat package outline	101
Figure 38.	UFQFPN48 - 48-lead, 7x7 mm, 0.5 mm pitch, ultra thin fine pitch quad flat package recommended footprint	102
Figure 39.	Example of UFQFPN48 marking (package top view)	103
Figure 40.	LQFP32, 7 x 7 mm, 32-pin low-profile quad flat package outline	104
Figure 41.	LQFP32 recommended footprint	105

Figure 42.	Example of LQFP32 marking (package top view)	106
Figure 43.	UFQFPN32 - 32-pin, 5x5 mm, 0.5 mm pitch ultra thin fine pitch quad flat package outline.	107
Figure 44.	UFQFPN32 - 32-pin, 5x5 mm, 0.5 mm pitch ultra thin fine pitch quad flat package recommended footprint	108
Figure 45.	Example of UFQFPN32 marking (package top view)	108
Figure 46.	UFQFN28 - 28-lead, 4 x 4 mm, 0.5 mm pitch, ultra thin fine pitch quad flat package outline.	109
Figure 47.	UFQFN28 recommended footprint.	110
Figure 48.	Example of UFQFN28 marking (package top view)	111
Figure 49.	WLCSP25 - 2.097 x 2.493 mm, 0.400 mm pitch wafer level chip scale package outline.	112
Figure 50.	WLCSP25 - 2.097 x 2.493 mm, 0.400 mm pitch wafer level chip scale recommended footprint.	113
Figure 51.	Example of WLCSP25 marking (package top view)	114
Figure 52.	TSSOP20 – 20-lead thin shrink small outline, 6.5 x 4.4 mm, 0.65 mm pitch, package outline.	115
Figure 53.	TSSOP20 – 20-lead thin shrink small outline, 6.5 x 4.4 mm, 0.65 mm pitch, package footprint	116
Figure 54.	Example of TSSOP20 marking (package top view)	117
Figure 55.	Thermal resistance	119



# 1 Introduction

The ultra-low-power STM32L031x4/6 family includes devices in 6 different packages from 20 to 48 pins. The description below gives an overview of the complete range of peripherals proposed in this family.

These features make the ultra-low-power STM32L031x4/6 microcontrollers suitable for a wide range of applications:

- Gas/water meters and industrial sensors
- Healthcare and fitness equipment
- Remote control and user interface
- PC peripherals, gaming, GPS equipment
- Alarm system, wired and wireless sensors, video intercom

This STM32L031x4/6 datasheet must be read in conjunction with the STM32L0x1 reference manual (RM0377).

For information on the Arm® Cortex®-M0+ core please refer to the Cortex®-M0+ Technical Reference Manual, available from the <http://www.arm.com> website.

*Figure 1* shows the general block diagram of the device family.

The logo for Arm, consisting of the word "arm" in a lowercase, bold, sans-serif font.

## 2 Description

The access line ultra-low-power STM32L031x4/6 family incorporates the high-performance Arm® Cortex®-M0+ 32-bit RISC core operating at a 32 MHz frequency, high-speed embedded memories (up to 32 Kbytes of Flash program memory, 1 Kbytes of data EEPROM and 8 Kbytes of RAM) plus an extensive range of enhanced I/Os and peripherals.

The STM32L031x4/6 devices provide high power efficiency for a wide range of performance. It is achieved with a large choice of internal and external clock sources, an internal voltage adaptation and several low-power modes.

The STM32L031x4/6 devices offer several analog features, one 12-bit ADC with hardware oversampling, two ultra-low-power comparators, several timers, one low-power timer (LPTIM), three general-purpose 16-bit timers, one RTC and one SysTick which can be used as timebases. They also feature two watchdogs, one watchdog with independent clock and window capability and one window watchdog based on bus clock.

Moreover, the STM32L031x4/6 devices embed standard and advanced communication interfaces: one I2C, one SPI, one USART, and a low-power UART (LPUART).

The STM32L031x4/6 also include a real-time clock and a set of backup registers that remain powered in Standby mode.

The ultra-low-power STM32L031x4/6 devices operate from a 1.8 to 3.6 V power supply (down to 1.65 V at power down) with BOR and from a 1.65 to 3.6 V power supply without BOR option. They are available in the -40 to +125 °C temperature range. A comprehensive set of power-saving modes allows the design of low-power applications.



## 2.1

## Device overview

Table 2. Ultra-low-power STM32L031x4/x6 device features and peripheral counts

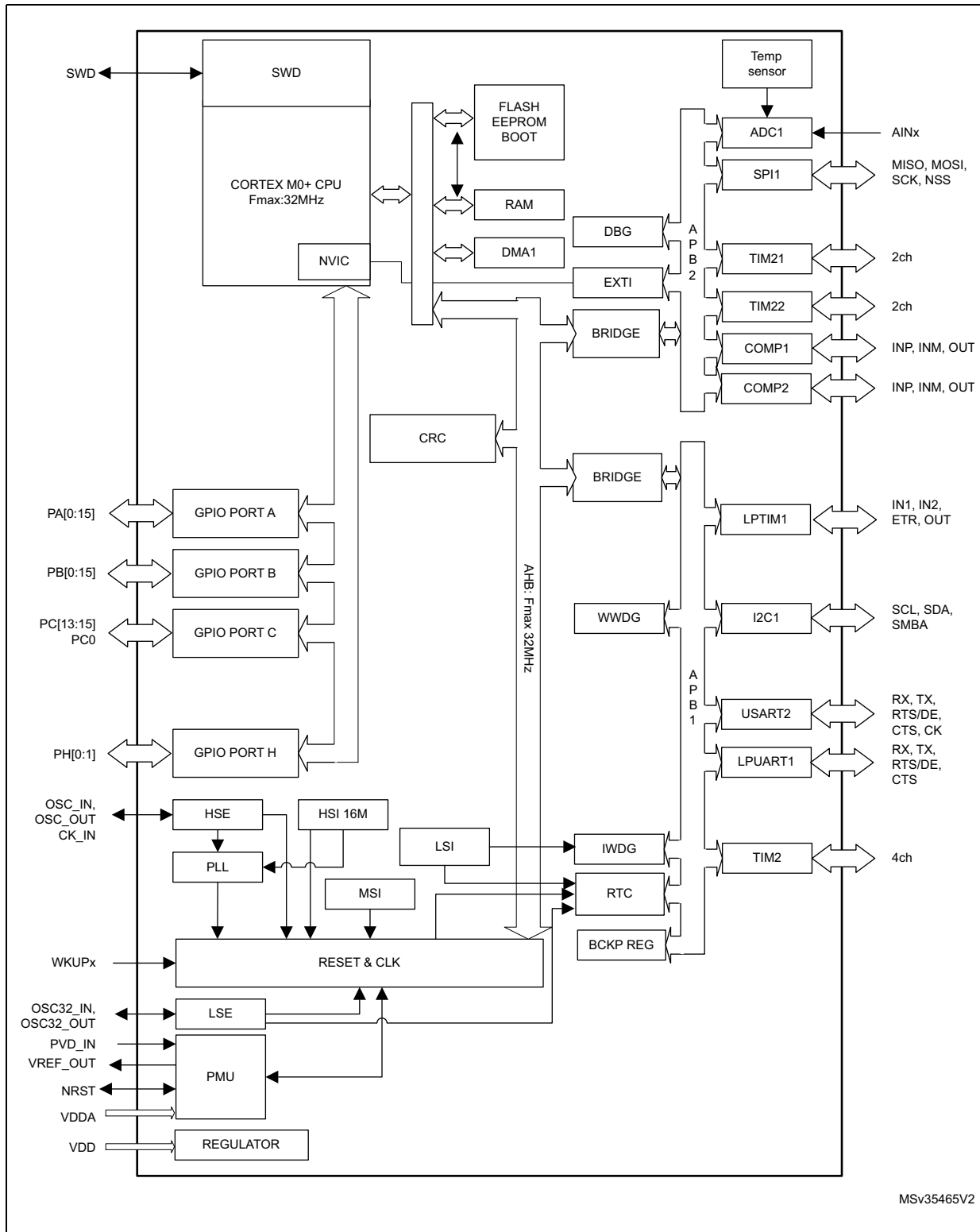
Peripheral		STM32 L031F4	STM32 L031E4	STM32 L031G4	STM32 L031K4	STM32 L031C4	STM32 L031F6	STM32 L031E6	STM32 L031G6	STM32 L031K6	STM32 L031C6
Flash (Kbytes)		16					32				
Data EEPROM (Kbytes)		1									
RAM (Kbytes)		8									
Timers	General-purpose	3									
	LPTIMER	1									
RTC/SYSTICK/IWDG/ WWDG		1/1/1/1									
Communication interfaces	SPI	2(1) <sup>(1)</sup>									
	I <sup>2</sup> C	1									
	USART	1									
	LPUART	1									
GPIOs		15	20	21(23) <sup>(3)</sup>	27 <sup>(2)</sup>	38	15	20	21(23) <sup>(3)</sup>	27 <sup>(2)</sup>	38
Clocks: HSE <sup>(4)</sup> /LSE/HSI/MSI/LSI		1/1/1/1/1									
12-bit synchronized ADC Number of channels		1 10									
Comparators		2									
Max. CPU frequency		32 MHz									
Operating voltage		1.8 V to 3.6 V (down to 1.65 V at power-down) with BOR option 1.65 V to 3.6 V without BOR option									


**Table 2. Ultra-low-power STM32L031x4/x6 device features and peripheral counts (continued)**

Peripheral	STM32 L031F4	STM32 L031E4	STM32 L031G4	STM32 L031K4	STM32 L031C4	STM32 L031F6	STM32 L031E6	STM32 L031G6	STM32 L031K6	STM32 L031C6
<b>Operating temperatures</b>	Ambient temperature: –40 to +125 °C Junction temperature: –40 to +130 °C									
<b>Packages</b>	TSSOP 20	WLCSP 25	UFQFPN 28	LQFP32, UFQFPN 32	LQFP48/ UFQFPN 48	TSSOP 20	WLCSP 25	UFQFPN 28	LQFP32, UFQFPN 32	LQFP48/ UFQFPN 48

1. 1 SPI interface is a USART operating in SPI master mode.
2. LQFP32 has two GPIOs, less than UFQFPN32 (27).
3. 23 GPIOs are available only on STM32L031GxUxS part number.
4. HSE external quartz connexion available only on LQFP48.

Figure 1. STM32L031x4/6 block diagram



MSv35465V2

## 2.2 Ultra-low-power device continuum

The ultra-low-power family offers a large choice of core and features, from 8-bit proprietary core up to Arm® Cortex®-M4, including Arm® Cortex®-M3 and Arm® Cortex®-M0+. The STM32Lx series are the best choice to answer your needs in terms of ultra-low-power features. The STM32 Ultra-low-power series are the best solution for applications such as gas/water meter, keyboard/mouse or fitness and healthcare application. Several built-in features like LCD drivers, dual-bank memory, low-power run mode, operational amplifiers, 128-bit AES, DAC, crystal-less USB and many other definitely help you building a highly cost optimized application by reducing BOM cost. STMicroelectronics, as a reliable and long-term manufacturer, ensures as much as possible pin-to-pin compatibility between all STM8Lx and STM32Lx on one hand, and between all STM32Lx and STM32Fx on the other hand. Thanks to this unprecedented scalability, your legacy application can be upgraded to respond to the latest market feature and efficiency requirements.

## 3 Functional overview

### 3.1 Low-power modes

The ultra-low-power STM32L031x4/6 supports dynamic voltage scaling to optimize its power consumption in Run mode. The voltage from the internal low-drop regulator that supplies the logic can be adjusted according to the system's maximum operating frequency and the external voltage supply.

There are three power consumption ranges:

- Range 1 ( $V_{DD}$  range limited to 1.71-3.6 V), with the CPU running at up to 32 MHz
- Range 2 (full  $V_{DD}$  range), with a maximum CPU frequency of 16 MHz
- Range 3 (full  $V_{DD}$  range), with a maximum CPU frequency limited to 4.2 MHz

Seven low-power modes are provided to achieve the best compromise between low-power consumption, short startup time and available wakeup sources:

- **Sleep mode**

In Sleep mode, only the CPU is stopped. All peripherals continue to operate and can wake up the CPU when an interrupt/event occurs. Sleep mode power consumption at 16 MHz is about 1 mA with all peripherals off.

- **Low-power run mode**

This mode is achieved with the multispeed internal (MSI) RC oscillator set to the low-speed clock (max 131 kHz), execution from SRAM or Flash memory, and internal regulator in low-power mode to minimize the regulator's operating current. In Low-power run mode, the clock frequency and the number of enabled peripherals are both limited.

- **Low-power sleep mode**

This mode is achieved by entering Sleep mode with the internal voltage regulator in low-power mode to minimize the regulator's operating current. In Low-power sleep mode, both the clock frequency and the number of enabled peripherals are limited; a typical example would be to have a timer running at 32 kHz.

When wakeup is triggered by an event or an interrupt, the system reverts to the Run mode with the regulator on.

- **Stop mode with RTC**

The Stop mode achieves the lowest power consumption while retaining the RAM and register contents and real time clock. All clocks in the  $V_{CORE}$  domain are stopped, the PLL, MSI RC, HSE and HSI RC oscillators are disabled. The LSE or LSI is still running. The voltage regulator is in the low-power mode.

Some peripherals featuring wakeup capability can enable the HSI RC during Stop mode to detect their wakeup condition.

The device can be woken up from Stop mode by any of the EXTI line, in 3.5  $\mu$ s, the processor can serve the interrupt or resume the code. The EXTI line source can be any GPIO. It can be the PVD output, the comparator 1 event or comparator 2 event

(if internal reference voltage is on), it can be the RTC alarm/tamper/timestamp/wakeup events, the USART/I2C/LPUART/LPTIMER wakeup events.

- **Stop mode without RTC**

The Stop mode achieves the lowest power consumption while retaining the RAM and register contents. All clocks are stopped, the PLL, MSI RC, HSI and LSI RC, HSE and LSE crystal oscillators are disabled.

Some peripherals featuring wakeup capability can enable the HSI RC during Stop mode to detect their wakeup condition.

The voltage regulator is in the low-power mode. The device can be woken up from Stop mode by any of the EXTI line, in 3.5  $\mu$ s, the processor can serve the interrupt or resume the code. The EXTI line source can be any GPIO. It can be the PVD output, the comparator 1 event or comparator 2 event (if internal reference voltage is on). It can also be wakened by the USART/I2C/LPUART/LPTIMER wakeup events.

- **Standby mode with RTC**

The Standby mode is used to achieve the lowest power consumption and real time clock. The internal voltage regulator is switched off so that the entire  $V_{CORE}$  domain is powered off. The PLL, MSI RC, HSE and HSI RC oscillators are also switched off. The LSE or LSI is still running. After entering Standby mode, the RAM and register contents are lost except for registers in the Standby circuitry (wakeup logic, IWDG, RTC, LSI, LSE Crystal 32 KHz oscillator, RCC\_CSR register).

The device exits Standby mode in 60  $\mu$ s when an external reset (NRST pin), an IWDG reset, a rising edge on one of the three WKUP pins, RTC alarm (Alarm A or Alarm B), RTC tamper event, RTC timestamp event or RTC Wakeup event occurs.

- **Standby mode without RTC**

The Standby mode is used to achieve the lowest power consumption. The internal voltage regulator is switched off so that the entire  $V_{CORE}$  domain is powered off. The PLL, MSI RC, HSI and LSI RC, HSE and LSE crystal oscillators are also switched off. After entering Standby mode, the RAM and register contents are lost except for registers in the Standby circuitry (wakeup logic, IWDG, RTC, LSI, LSE Crystal 32 KHz oscillator, RCC\_CSR register).

The device exits Standby mode in 60  $\mu$ s when an external reset (NRST pin) or a rising edge on one of the three WKUP pin occurs.

*Note: The RTC, the IWDG, and the corresponding clock sources are not stopped automatically by entering Stop or Standby mode.*



**Table 3. Functionalities depending on the operating power supply range**

Operating power supply range <sup>(1)</sup>	Functionalities depending on the operating power supply range	
	ADC operation	Dynamic voltage scaling range
V <sub>DD</sub> = 1.65 to 1.71 V	Conversion time up to 570 ksp/s	Range 2 or range 3
V <sub>DD</sub> = 1.71 to 2.0 V <sup>(2)</sup>	Conversion time up to 1.14 Msps	Range 1, range 2 or range 3
V <sub>DD</sub> = 2.0 to 2.4 V	Conversion time up to 1.14 Msps	Range 1, range 2 or range 3
V <sub>DD</sub> = 2.4 to 3.6 V	Conversion time up to 1.14 Msps	Range 1, range 2 or range 3

- GPIO speed depends on V<sub>DD</sub> voltage range. Refer to [Table 55: I/O AC characteristics](#) for more information about I/O speed.
- CPU frequency changes from initial to final must respect the condition:  $f_{CPU\ initial} < 4f_{CPU\ final}$ . It must also respect 5 μs delay between two changes. For example to switch from 4.2 MHz to 32 MHz, you can switch from 4.2 MHz to 16 MHz, wait 5 μs, then switch from 16 MHz to 32 MHz.

**Table 4. CPU frequency range depending on dynamic voltage scaling**

CPU frequency range	Dynamic voltage scaling range
16 MHz to 32 MHz (1ws) 32 kHz to 16 MHz (0ws)	Range 1
8 MHz to 16 MHz (1ws) 32 kHz to 8 MHz (0ws)	Range 2
32 kHz to 4.2 MHz (0ws)	Range 3

**Table 5. Functionalities depending on the working mode (from Run/active down to standby) <sup>(1)</sup>**

IPs	Run/Active	Sleep	Low-power run	Low-power sleep	Stop		Standby	
					Wakeup capability	Wakeup capability		
CPU	Y	--	Y	--	--		--	
Flash memory	O	O	O	O	--		--	
RAM	Y	Y	Y	Y	Y		--	
Backup registers	Y	Y	Y	Y	Y		Y	
EEPROM	O	O	O	O	--		--	
Brown-out reset (BOR)	O	O	O	O	O	O	O	O
DMA	O	O	O	O	--		--	

**Table 5. Functionalities depending on the working mode (from Run/active down to standby) (continued)<sup>(1)</sup>**

IPs	Run/Active	Sleep	Low-power run	Low-power sleep	Stop		Standby	
					Wakeup capability	Wakeup capability		
Programmable voltage detector (PVD)	O	O	O	O	O	O	-	
Power-on/down reset (POR/PDR)	Y	Y	Y	Y	Y	Y	Y	Y
High Speed Internal (HSI)	O	O	--	--	(2)		--	
High Speed External (HSE)	O	O	O	O	--		--	
Low Speed Internal (LSI)	O	O	O	O	O		O	
Low Speed External (LSE)	O	O	O	O	O		O	
Multi-Speed Internal (MSI)	O	O	Y	Y	--		--	
Inter-Connect Controller	Y	Y	Y	Y	Y		--	
RTC	O	O	O	O	O	O	O	
RTC Tamper	O	O	O	O	O	O	O	O
Auto WakeUp (AWU)	O	O	O	O	O	O	O	O
USART	O	O	O	O	O <sup>(3)</sup>	O	--	
LPUART	O	O	O	O	O <sup>(3)</sup>	O	--	
SPI	O	O	O	O	--		--	
I2C	O	O	--	--	O <sup>(4)</sup>	O	--	
ADC	O	O	--	--	--		--	
Temperature sensor	O	O	O	O	O		--	
Comparators	O	O	O	O	O	O	--	
16-bit timers	O	O	O	O	--		--	
LPTIMER	O	O	O	O	O	O		
IWDG	O	O	O	O	O	O	O	O
WWDG	O	O	O	O	--		--	
SysTick Timer	O	O	O	O			--	
GPIOs	O	O	O	O	O	O		2 pins

**Table 5. Functionalities depending on the working mode (from Run/active down to standby)<sup>(1)</sup>**

IPs	Run/Active	Sleep	Low-power run	Low-power sleep	Stop	Standby
					Wakeup capability	Wakeup capability
Wakeup time to Run mode	0 μs	0.36 μs	3 μs	32 μs	3.5 μs	65 μs
Consumption V <sub>DD</sub> =1.8 to 3.6 V (Typ)	Down to 115 μA/MHz (from Flash)	Down to 25 μA/MHz (from Flash)	Down to 6.5 μA	Down to 3.2 μA	0.35 μA (No RTC) V <sub>DD</sub> =1.8 V	0.23 μA (No RTC) V <sub>DD</sub> =1.8 V
					0.6 μA (with RTC) V <sub>DD</sub> =1.8 V	0.39 μA (with RTC) V <sub>DD</sub> =1.8 V
					0.38 μA (No RTC) V <sub>DD</sub> =3.0 V	0.26 μA (No RTC) V <sub>DD</sub> =3.0 V
					0.8 μA (with RTC) V <sub>DD</sub> =3.0 V	0.57 μA (with RTC) V <sub>DD</sub> =3.0 V

- Legend:  
 "Y" = Yes (enable).  
 "O" = Optional, can be enabled/disabled by software  
 "-" = Not available
- Some peripherals with wakeup from Stop capability can request HSI to be enabled. In this case, HSI is woken up by the peripheral, and only feeds the peripheral which requested it. HSI is automatically put off when the peripheral does not need it anymore.
- UART and LPUART reception is functional in Stop mode. It generates a wakeup interrupt on Start. To generate a wakeup on address match or received frame event, the LPUART can run on LSE clock while the UART has to wake up or keep running the HSI clock.
- I2C address detection is functional in Stop mode. It generates a wakeup interrupt in case of address match. It will wake up the HSI during reception.

### 3.2 Interconnect matrix

Several peripherals are directly interconnected. This allows autonomous communication between peripherals, thus saving CPU resources and power consumption. In addition, these hardware connections allow fast and predictable latency.

Depending on peripherals, these interconnections can operate in Run, Sleep, Low-power run, Low-power sleep and Stop modes.

**Table 6. STM32L0xx peripherals interconnect matrix**

Interconnect source	Interconnect destination	Interconnect action	Run	Sleep	Low-power run	Low-power sleep	Stop
COMPx	TIM2, TIM21, TIM22	Timer input channel, trigger from analog signals comparison	Y	Y	Y	Y	-
	LPTIM	Timer input channel, trigger from analog signals comparison	Y	Y	Y	Y	Y
TIMx	TIMx	Timer triggered by other timer	Y	Y	Y	Y	-

**Table 6. STM32L0xx peripherals interconnect matrix (continued)**

Interconnect source	Interconnect destination	Interconnect action	Run	Sleep	Low-power run	Low-power sleep	Stop
RTC	TIM21	Timer triggered by Auto wake-up	Y	Y	Y	Y	-
	LPTIM	Timer triggered by RTC event	Y	Y	Y	Y	Y
All clock source	TIMx	Clock source used as input channel for RC measurement and trimming	Y	Y	Y	Y	-
GPIO	TIMx	Timer input channel and trigger	Y	Y	Y	Y	-
	LPTIM	Timer input channel and trigger	Y	Y	Y	Y	Y
	ADC	Conversion trigger	Y	Y	Y	Y	-

### 3.3 Arm® Cortex®-M0+ core

The Cortex-M0+ processor is an entry-level 32-bit Arm Cortex processor designed for a broad range of embedded applications. It offers significant benefits to developers, including:

- a simple architecture that is easy to learn and program
- ultra-low power, energy-efficient operation
- excellent code density
- deterministic, high-performance interrupt handling
- upward compatibility with Cortex-M processor family
- platform security robustness.

The Cortex-M0+ processor is built on a highly area and power optimized 32-bit processor core, with a 2-stage pipeline von Neumann architecture. The processor delivers exceptional energy efficiency through a small but powerful instruction set and extensively optimized design, providing high-end processing hardware including a single-cycle multiplier.

The Cortex-M0+ processor provides the exceptional performance expected of a modern 32-bit architecture, with a higher code density than other 8-bit and 16-bit microcontrollers.

Owing to its embedded Arm core, the STM32L031x4/6 are compatible with all Arm tools and software.

### Nested vectored interrupt controller (NVIC)

The ultra-low-power STM32L031x4/6 embed a nested vectored interrupt controller able to handle up to 32 maskable interrupt channels and 4 priority levels.

The Cortex-M0+ processor closely integrates a configurable Nested Vectored Interrupt Controller (NVIC), to deliver industry-leading interrupt performance. The NVIC:

- includes a Non-Maskable Interrupt (NMI)
- provides zero jitter interrupt option
- provides four interrupt priority levels

The tight integration of the processor core and NVIC provides fast execution of Interrupt Service Routines (ISRs), dramatically reducing the interrupt latency. This is achieved through the hardware stacking of registers, and the ability to abandon and restart load-multiple and store-multiple operations. Interrupt handlers do not require any assembler wrapper code, removing any code overhead from the ISRs. Tail-chaining optimization also significantly reduces the overhead when switching from one ISR to another.

To optimize low-power designs, the NVIC integrates with the sleep modes, that include a deep sleep function that enables the entire device to enter rapidly stop or standby mode.

This hardware block provides flexible interrupt management features with minimal interrupt latency.

## 3.4 Reset and supply management

### 3.4.1 Power supply schemes

- $V_{DD} = 1.65$  to  $3.6$  V: external power supply for I/Os and the internal regulator. Provided externally through  $V_{DD}$  pins.
- $V_{SSA}$ ,  $V_{DDA} = 1.65$  to  $3.6$  V: external analog power supplies for ADC, reset blocks, RCs and PLL.  $V_{DDA}$  and  $V_{SSA}$  must be connected to  $V_{DD}$  and  $V_{SS}$ , respectively.

### 3.4.2 Power supply supervisor

The devices feature an integrated ZEROPOWER power-on reset (POR)/power-down reset (PDR) that can be coupled with a brownout reset (BOR) circuitry.

Two versions are available:

- The version with BOR activated at power-on operates between  $1.8$  V and  $3.6$  V.
- The other version without BOR operates between  $1.65$  V and  $3.6$  V.

After the  $V_{DD}$  threshold is reached ( $1.65$  V or  $1.8$  V depending on the BOR which is active or not at power-on), the option byte loading process starts, either to confirm or modify default thresholds, or to disable the BOR permanently: in this case, the  $V_{DD}$  min value becomes  $1.65$  V (whatever the version, BOR active or not, at power-on).

When BOR is active at power-on, it ensures proper operation starting from  $1.8$  V whatever the power ramp-up phase before it reaches  $1.8$  V. When BOR is not active at power-up, the power ramp-up must guarantee that  $1.65$  V is reached on  $V_{DD}$  at least  $1$  ms after it exits the POR area.

Five BOR thresholds are available through option bytes, starting from  $1.8$  V to  $3$  V. To reduce the power consumption in Stop mode, it is possible to automatically switch off the

internal reference voltage ( $V_{REFINT}$ ) in Stop mode. The device remains in reset mode when  $V_{DD}$  is below a specified threshold,  $V_{POR/PDR}$  or  $V_{BOR}$ , without the need for any external reset circuit.

*Note:* The start-up time at power-on is typically 3.3 ms when BOR is active at power-up, the start-up time at power-on can be decreased down to 1 ms typically for devices with BOR inactive at power-up.

The devices feature an embedded programmable voltage detector (PVD) that monitors the  $V_{DD/VDDA}$  power supply and compares it to the  $V_{PVD}$  threshold. This PVD offers 7 different levels between 1.85 V and 3.05 V, chosen by software, with a step around 200 mV. An interrupt can be generated when  $V_{DD/VDDA}$  drops below the  $V_{PVD}$  threshold and/or when  $V_{DD/VDDA}$  is higher than the  $V_{PVD}$  threshold. The interrupt service routine can then generate a warning message and/or put the MCU into a safe state. The PVD is enabled by software.

### 3.4.3 Voltage regulator

The regulator has three operation modes: main (MR), low power (LPR) and power down.

- MR is used in Run mode (nominal regulation)
- LPR is used in the Low-power run, Low-power sleep and Stop modes
- Power down is used in Standby mode. The regulator output is high impedance, the kernel circuitry is powered down, inducing zero consumption but the contents of the registers and RAM are lost except for the standby circuitry (wake-up logic, IWDG, RTC, LSI, LSE crystal 32 KHz oscillator, RCC\_CSR).

### 3.4.4 Boot modes

At startup, BOOT0 pin and nBOOT1 option bit are used to select one of three boot options:

- Boot from Flash memory
- Boot from System memory
- Boot from embedded RAM

The boot loader is located in System memory. It is used to reprogram the Flash memory by using SPI1 (PA4, PA5, PA6, PA7), USART2 (PA2, PA3) or USART2 (PA9, PA10). See STM32™ microcontroller system memory boot mode AN2606 for details.

## 3.5 Clock management

The clock controller distributes the clocks coming from different oscillators to the core and the peripherals. It also manages clock gating for low-power modes and ensures clock robustness. It features:

- **Clock prescaler**

To get the best trade-off between speed and current consumption, the clock frequency to the CPU and peripherals can be adjusted by a programmable prescaler.
- **Safe clock switching**

Clock sources can be changed safely on the fly in Run mode through a configuration register.
- **Clock management**

To reduce power consumption, the clock controller can stop the clock to the core, individual peripherals or memory.
- **System clock source**

Three different clock sources can be used to drive the master clock SYSCLK:

  - 1-25 MHz high-speed external (HSE), that can supply a PLL
  - 16 MHz high-speed internal RC oscillator (HSI), trimmable by software, that can supply a PLL
  - Multispeed internal RC oscillator (MSI), trimmable by software, able to generate 7 frequencies (65 kHz, 131 kHz, 262 kHz, 524 kHz, 1.05 MHz, 2.1 MHz, 4.2 MHz). When a 32.768 kHz clock source is available in the system (LSE), the MSI frequency can be trimmed by software down to a  $\pm 0.5\%$  accuracy.
- **Auxiliary clock source**

Two ultra-low-power clock sources that can be used to drive the real-time clock:

  - 32.768 kHz low-speed external crystal (LSE)
  - 37 kHz low-speed internal RC (LSI), also used to drive the independent watchdog. The LSI clock can be measured using the high-speed internal RC oscillator for greater precision.
- **RTC clock sources**

The LSI, LSE or HSE sources can be chosen to clock the RTC, whatever the system clock.
- **Startup clock**

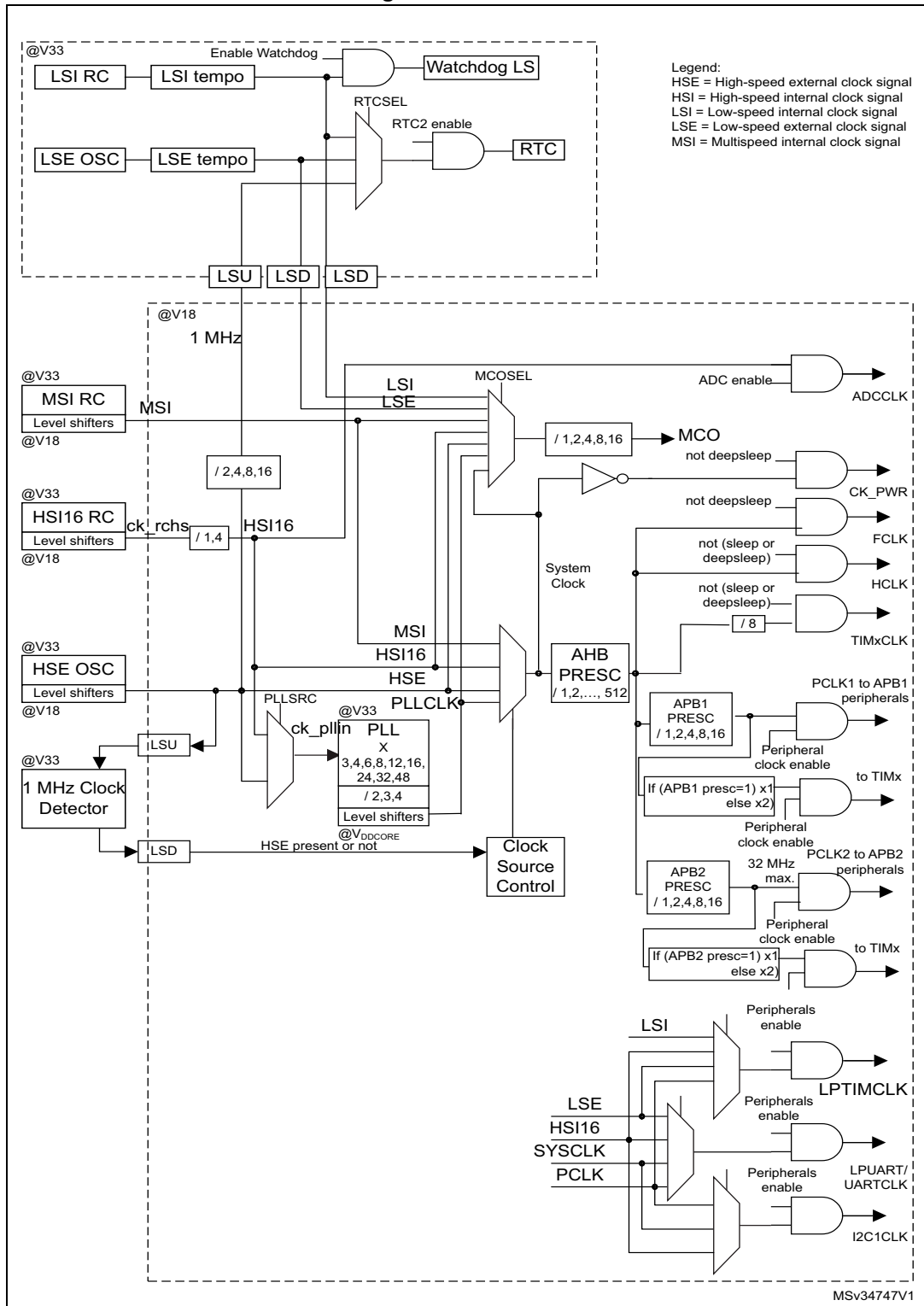
After reset, the microcontroller restarts by default with an internal 2 MHz clock (MSI). The prescaler ratio and clock source can be changed by the application program as soon as the code execution starts.
- **Clock security system (CSS)**

This feature can be enabled by software. If an HSE clock failure occurs, the master clock is automatically switched to HSI and a software interrupt is generated if enabled. Another clock security system can be enabled, in case of failure of the LSE it provides an interrupt or wakeup event which is generated if enabled.
- **Clock-out capability (MCO: microcontroller clock output)**

It outputs one of the internal clocks for external use by the application.

Several prescalers allow the configuration of the AHB frequency, each APB (APB1 and APB2) domains. The maximum frequency of the AHB and the APB domains is 32 MHz. See [Figure 2](#) for details on the clock tree.

Figure 2. Clock tree





### 3.6 Low-power real-time clock and backup registers

The real time clock (RTC) and the 5 backup registers are supplied in all modes including standby mode. The backup registers are five 32-bit registers used to store 20 bytes of user application data. They are not reset by a system reset, or when the device wakes up from Standby mode.

The RTC is an independent BCD timer/counter. Its main features are the following:

- Calendar with subsecond, seconds, minutes, hours (12 or 24 format), week day, date, month, year, in BCD (binary-coded decimal) format
- Automatically correction for 28, 29 (leap year), 30, and 31 day of the month
- Two programmable alarms with wake up from Stop and Standby mode capability
- Periodic wakeup from Stop and Standby with programmable resolution and period
- On-the-fly correction from 1 to 32767 RTC clock pulses. This can be used to synchronize it with a master clock.
- Reference clock detection: a more precise second source clock (50 or 60 Hz) can be used to enhance the calendar precision.
- Digital calibration circuit with 1 ppm resolution, to compensate for quartz crystal inaccuracy
- 2 anti-tamper detection pins with programmable filter. The MCU can be woken up from Stop and Standby modes on tamper event detection.
- Timestamp feature which can be used to save the calendar content. This function can be triggered by an event on the timestamp pin, or by a tamper event. The MCU can be woken up from Stop and Standby modes on timestamp event detection.

The RTC clock sources can be:

- A 32.768 kHz external crystal
- A resonator or oscillator
- The internal low-power RC oscillator (typical frequency of 37 kHz)
- The high-speed external clock

### 3.7 General-purpose inputs/outputs (GPIOs)

Each of the GPIO pins can be configured by software as output (push-pull or open-drain), as input (with or without pull-up or pull-down) or as peripheral alternate function. Most of the GPIO pins are shared with digital or analog alternate functions, and can be individually remapped using dedicated alternate function registers. All GPIOs are high current capable. Each GPIO output, speed can be slowed (40 MHz, 10 MHz, 2 MHz, 400 kHz). The alternate function configuration of I/Os can be locked if needed following a specific sequence in order to avoid spurious writing to the I/O registers. The I/O controller is connected to a dedicated IO bus with a toggling speed of up to 32 MHz.

### 3.8 Extended interrupt/event controller (EXTI)

The extended interrupt/event controller consists of 26 edge detector lines used to generate interrupt/event requests. Each line can be individually configured to select the trigger event (rising edge, falling edge, both) and can be masked independently. A pending register maintains the status of the interrupt requests. The EXTI can detect an external line with a pulse width shorter than the Internal APB2 clock period. Up to 38 GPIOs can be connected to the 16 configurable interrupt/event lines. The 10 other lines are connected to PVD, RTC, USART, I2C, LPUART, LPTIMER or comparator events.

### 3.9 Memories

The STM32L031x4/6 devices have the following features:

- 8 Kbytes of embedded SRAM accessed (read/write) at CPU clock speed with 0 wait states. With the enhanced bus matrix, operating the RAM does not lead to any performance penalty during accesses to the system bus (AHB and APB buses).
- The non-volatile memory is divided into three arrays:
  - 16 or 32 Kbytes of embedded Flash program memory
  - 1 Kbytes of data EEPROM
  - Information block containing 32 user and factory options bytes plus 4 Kbytes of system memory

The user options bytes are used to write-protect or read-out protect the memory (with 4-Kbyte granularity) and/or readout-protect the whole memory with the following options:

- **Level 0:** no protection
- **Level 1:** memory readout protected.  
The Flash memory cannot be read from or written to if either debug features are connected or boot in RAM is selected
- **Level 2:** chip readout protected, debug features (Cortex-M0+ serial wire) and boot in RAM selection disabled (debugline fuse)

The whole non-volatile memory embeds the error correction code (ECC) feature.

### 3.10 Direct memory access (DMA)

The flexible 7-channel, general-purpose DMA is able to manage memory-to-memory, peripheral-to-memory and memory-to-peripheral transfers. The DMA controller supports circular buffer management, avoiding the generation of interrupts when the controller reaches the end of the buffer.

Each channel is connected to dedicated hardware DMA requests, with software trigger support for each channel. Configuration is done by software and transfer sizes between source and destination are independent.

The DMA can be used with the main peripherals: SPI, I<sup>2</sup>C, USART, LPUART, general-purpose timers, and ADC.

### 3.11 Analog-to-digital converter (ADC)

A native 12-bit, extended to 16-bit through hardware oversampling, analog-to-digital converter is embedded into STM32L031x4/6 devices. It has up to 10 external channels and 3 internal channels (temperature sensor, voltage reference). Three channels are fast channels, PA0, PA4 and PA5, while the others are standard channels.

It performs conversions in single-shot or scan mode. In scan mode, automatic conversion is performed on a selected group of analog inputs.

The ADC frequency is independent from the CPU frequency, allowing maximum sampling rate of 1.14 Msps even with a low CPU speed. The ADC consumption is low at all frequencies (~25  $\mu$ A at 10 kSPS, ~200  $\mu$ A at 1 Msps). An auto-shutdown function guarantees that the ADC is powered off except during the active conversion phase.

The ADC can be served by the DMA controller. It can operate from a supply voltage down to 1.65 V.

The ADC features a hardware oversampler up to 256 samples, this improves the resolution to 16 bits (see AN2668).

An analog watchdog feature allows very precise monitoring of the converted voltage of one, some or all scanned channels. An interrupt is generated when the converted voltage is outside the programmed thresholds.

The events generated by the general-purpose timers (TIMx) can be internally connected to the ADC start triggers, to allow the application to synchronize A/D conversions and timers.

### 3.12 Temperature sensor

The temperature sensor ( $T_{SENSE}$ ) generates a voltage  $V_{SENSE}$  that varies linearly with temperature.

The temperature sensor is internally connected to the ADC\_IN18 input channel which is used to convert the sensor output voltage into a digital value.

The sensor provides good linearity but it has to be calibrated to obtain good overall accuracy of the temperature measurement. As the offset of the temperature sensor varies from chip to chip due to process variation, the uncalibrated internal temperature sensor is suitable for applications that detect temperature changes only.

To improve the accuracy of the temperature sensor measurement, each device is individually factory-calibrated by ST. The temperature sensor factory calibration data are stored by ST in the system memory area, accessible in read-only mode.

**Table 7. Temperature sensor calibration values**

Calibration value name	Description	Memory address
TSENSE_CAL1	TS ADC raw data acquired at temperature of 30 °C, $V_{DDA} = 3$ V	0x1FF8 007A - 0x1FF8 007B
TSENSE_CAL2	TS ADC raw data acquired at temperature of 130 °C, $V_{DDA} = 3$ V	0x1FF8 007E - 0x1FF8 007F

### 3.12.1 Internal voltage reference ( $V_{REFINT}$ )

The internal voltage reference ( $V_{REFINT}$ ) provides a stable (bandgap) voltage output for the ADC and Comparators.  $V_{REFINT}$  is internally connected to the ADC\_IN17 input channel. It enables accurate monitoring of the  $V_{DD}$  value (since no external voltage,  $V_{REF+}$ , is available for ADC). The precise voltage of  $V_{REFINT}$  is individually measured for each part by ST during production test and stored in the system memory area. It is accessible in read-only mode.

**Table 8. Internal voltage reference measured values**

Calibration value name	Description	Memory address
VREFINT_CAL	Raw data acquired at temperature of 25 °C $V_{DDA} = 3\text{ V}$	0x1FF8 0078 - 0x1FF8 0079

### 3.13 Ultra-low-power comparators and reference voltage

The STM32L031x4/6 embed two comparators sharing the same current bias and reference voltage. The reference voltage can be internal or external (coming from an I/O).

- One comparator with ultra low consumption
- One comparator with rail-to-rail inputs, fast or slow mode.
- The threshold can be one of the following:
  - External I/O pins
  - Internal reference voltage ( $V_{REFINT}$ )
  - submultiple of Internal reference voltage(1/4, 1/2, 3/4) for the rail to rail comparator.

Both comparators can wake up the devices from Stop mode, and be combined into a window comparator.

The internal reference voltage is available externally via a low-power / low-current output buffer (driving current capability of 1  $\mu\text{A}$  typical).

### 3.14 System configuration controller

The system configuration controller provides the capability to remap some alternate functions on different I/O ports.

The highly flexible routing interface allows the application firmware to control the routing of different I/Os to the TIM2, TIM21, TIM22 and LPTIM timer input captures. It also controls the routing of internal analog signals to the ADC, COMP1 and COMP2 and the internal reference voltage  $V_{REFINT}$ .

## 3.15 Timers and watchdogs

The ultra-low-power STM32L031x4/6 devices include three general-purpose timers, one low-power timer (LPTM), two watchdog timers and the SysTick timer.

[Table 9](#) compares the features of the general-purpose and basic timers.

**Table 9. Timer feature comparison**

Timer	Counter resolution	Counter type	Prescaler factor	DMA request generation	Capture/compare channels	Complementary outputs
TIM2	16-bit	Up, down, up/down	Any integer between 1 and 65536	Yes	4	No
TIM21, TIM22	16-bit	Up, down, up/down	Any integer between 1 and 65536	No	2	No

### 3.15.1 General-purpose timers (TIM2, TIM21 and TIM22)

There are three synchronizable general-purpose timers embedded in the STM32L031x4/6 devices (see [Table 9](#) for differences).

#### TIM2

TIM2 is based on 16-bit auto-reload up/down counter. It includes a 16-bit prescaler. It features four independent channels each for input capture/output compare, PWM or one-pulse mode output.

The TIM2 general-purpose timers can work together or with the TIM21 and TIM22 general-purpose timers via the Timer Link feature for synchronization or event chaining. Their counter can be frozen in debug mode. Any of the general-purpose timers can be used to generate PWM outputs.

TIM2 has independent DMA request generation.

This timer is capable of handling quadrature (incremental) encoder signals and the digital outputs from 1 to 3 hall-effect sensors.

#### TIM21 and TIM22

TIM21 and TIM22 are based on a 16-bit auto-reload up/down counter. They include a 16-bit prescaler. They have two independent channels for input capture/output compare, PWM or one-pulse mode output. They can work together and be synchronized with the TIM2, full-featured general-purpose timers.

They can also be used as simple time bases and be clocked by the LSE clock source (32.768 kHz) to provide time bases independent from the main CPU clock.

### 3.15.2 Low-power timer (LPTIM)

The low-power timer has an independent clock and is running also in Stop mode if it is clocked by LSE, LSI or an external clock. It is able to wakeup the devices from Stop mode.

This low-power timer supports the following features:

- 16-bit up counter with 16-bit autoreload register
- 16-bit compare register
- Configurable output: pulse, PWM
- Continuous / one shot mode
- Selectable software / hardware input trigger
- Selectable clock source
  - Internal clock source: LSE, LSI, HSI or APB clock
  - External clock source over LPTIM input (working even with no internal clock source running, used by the Pulse Counter Application)
- Programmable digital glitch filter
- Encoder mode

### 3.15.3 SysTick timer

This timer is dedicated to the OS, but could also be used as a standard downcounter. It is based on a 24-bit downcounter with autoreload capability and a programmable clock source. It features a maskable system interrupt generation when the counter reaches '0'.

### 3.15.4 Independent watchdog (IWDG)

The independent watchdog is based on a 12-bit downcounter and 8-bit prescaler. It is clocked from an independent 37 kHz internal RC and, as it operates independently of the main clock, it can operate in Stop and Standby modes. It can be used either as a watchdog to reset the device when a problem occurs, or as a free-running timer for application timeout management. It is hardware- or software-configurable through the option bytes. The counter can be frozen in debug mode.

### 3.15.5 Window watchdog (WWDG)

The window watchdog is based on a 7-bit downcounter that can be set as free-running. It can be used as a watchdog to reset the device when a problem occurs. It is clocked from the main clock. It has an early warning interrupt capability and the counter can be frozen in debug mode.

## 3.16 Communication interfaces

### 3.16.1 I<sup>2</sup>C bus

One I<sup>2</sup>C interface (I2C1) can operate in multimaster or slave modes. The I<sup>2</sup>C interface can support Standard mode (Sm, up to 100 kbit/s), Fast mode (Fm, up to 400 kbit/s) and Fast Mode Plus (Fm+, up to 1 Mbit/s) with 20 mA output drive on some I/Os.

The I<sup>2</sup>C interface supports 7-bit and 10-bit addressing modes, multiple 7-bit slave addresses (2 addresses, 1 with configurable mask). They also include programmable analog and digital noise filters.

**Table 10. Comparison of I2C analog and digital filters**

	Analog filter	Digital filter
Pulse width of suppressed spikes	≥ 50 ns	Programmable length from 1 to 15 I2C peripheral clocks
Benefits	Available in Stop mode	1. Extra filtering capability vs. standard requirements. 2. Stable length
Drawbacks	Variations depending on temperature, voltage, process	Wakeup from Stop on address match is not available when digital filter is enabled.

In addition, I2C1 provides hardware support for SMBus 2.0 and PMBus 1.1: ARP capability, Host notify protocol, hardware CRC (PEC) generation/verification, timeouts verifications and ALERT protocol management. I2C1 also has a clock domain independent from the CPU clock, allowing the I2C1 to wake up the MCU from Stop mode on address match.

The I2C interface can be served by the DMA controller.

Refer to [Table 11](#) for the supported modes and features of I2C interface.

**Table 11. STM32L031x4/6 I<sup>2</sup>C implementation**

I2C features <sup>(1)</sup>	I2C1
7-bit addressing mode	X
10-bit addressing mode	X
Standard mode (up to 100 kbit/s)	X
Fast mode (up to 400 kbit/s)	X
Fast Mode Plus with 20 mA output drive I/Os (up to 1 Mbit/s)	X <sup>(2)</sup>
Independent clock	X
SMBus	X
Wakeup from STOP	X

1. X = supported.

2. See [Table 15: Pin definitions on page 39](#) for the list of I/Os that feature Fast Mode Plus capability

### 3.16.2 Universal synchronous/asynchronous receiver transmitter (USART)

The USART interface (USART2) is able to communicate at speeds of up to 4 Mbit/s.

it provides hardware management of the CTS, RTS and RS485 driver enable (DE) signals, multiprocessor communication mode, master synchronous communication and single-wire half-duplex communication mode. USART2 also supports Smartcard communication (ISO 7816), IrDA SIR ENDEC, LIN Master/Slave capability, auto baud rate feature and has a clock domain independent from the CPU clock that allows to wake up the MCU from Stop mode using baudrates up to 42 Kbaud.

USART2 interface can be served by the DMA controller.

[Table 12](#) for the supported modes and features of USART interface.

**Table 12. USART implementation**

USART modes/features <sup>(1)</sup>	USART2
Hardware flow control for modem	X
Continuous communication using DMA	X
Multiprocessor communication	X
Synchronous mode <sup>(2)</sup>	X
Smartcard mode	X
Single-wire half-duplex communication	X
IrDA SIR ENDEC block	X
LIN mode	X
Dual clock domain and wakeup from Stop mode	X
Receiver timeout interrupt	X
Modbus communication	X
Auto baud rate detection (4 modes)	X
Driver Enable	X

1. X = supported.

2. This mode allows using the USART as an SPI master.

### 3.16.3 Low-power universal asynchronous receiver transmitter (LPUART)

The devices embed one Low-power UART. The LPUART supports asynchronous serial communication with minimum power consumption. It supports half duplex single wire communication and modem operations (CTS/RTS). It allows multiprocessor communication.

The LPUART has a clock domain independent from the CPU clock, and can wake up the system from Stop mode using baudrates up to 46 Kbaud. The Wakeup events from Stop mode are programmable and can be:

- Start bit detection
- Or any received data frame
- Or a specific programmed data frame

Only a 32.768 kHz clock (LSE) is needed to allow LPUART communication up to 9600 baud. Therefore, even in Stop mode, the LPUART can wait for an incoming frame while



having an extremely low energy consumption. Higher speed clock can be used to reach higher baudrates.

LPUART interface can be served by the DMA controller.

### 3.16.4 Serial peripheral interface (SPI)

The SPI is able to communicate at up to 16 Mbits/s in slave and master modes in full-duplex and half-duplex communication modes. The 3-bit prescaler gives 8 master mode frequencies and the frame is configurable to 8 bits or 16 bits. The hardware CRC generation/verification supports basic SD Card/MMC modes.

The USARTs with synchronous capability can also be used as SPI master.

The SPI can be served by the DMA controller.

Refer to [Table 13](#) for the supported modes and features of SPI interface.

**Table 13. SPI implementation**

SPI features <sup>(1)</sup>	SPI1
Hardware CRC calculation	X
I2S mode	-
TI mode	X

1. X = supported.

### 3.17 Cyclic redundancy check (CRC) calculation unit

The CRC (cyclic redundancy check) calculation unit is used to get a CRC code using a configurable generator polynomial value and size.

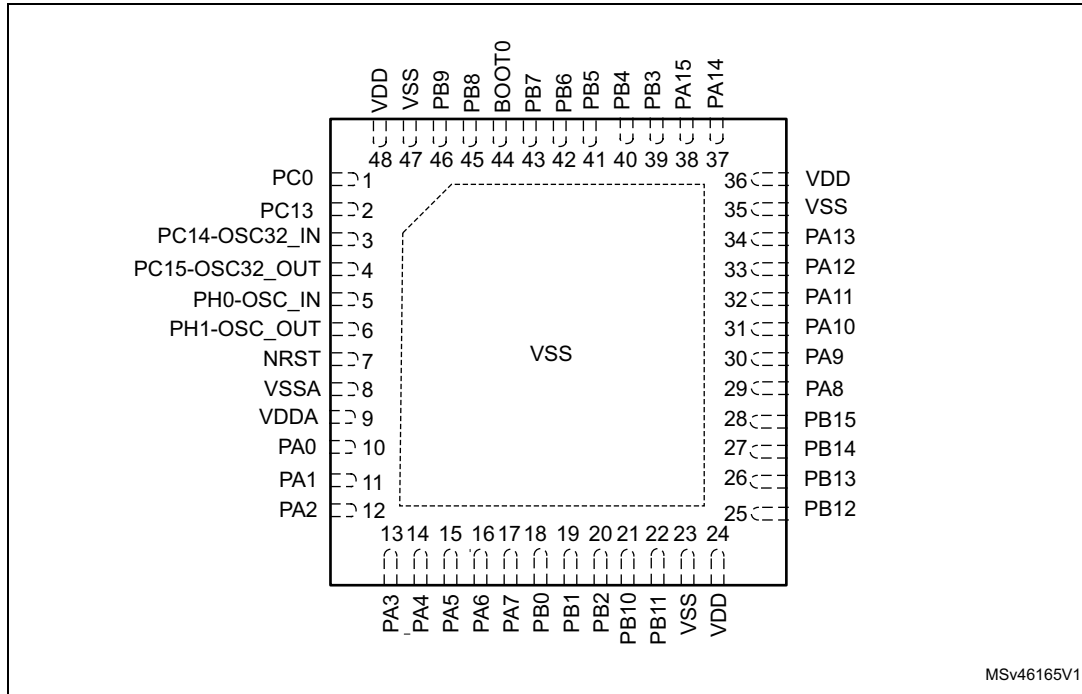
Among other applications, CRC-based techniques are used to verify data transmission or storage integrity. In the scope of the EN/IEC 60335-1 standard, they offer a means of verifying the Flash memory integrity. The CRC calculation unit helps compute a signature of the software during runtime, to be compared with a reference signature generated at linktime and stored at a given memory location.

### 3.18 Serial wire debug port (SW-DP)

An Arm SW-DP interface is provided to allow a serial wire debugging tool to be connected to the MCU.

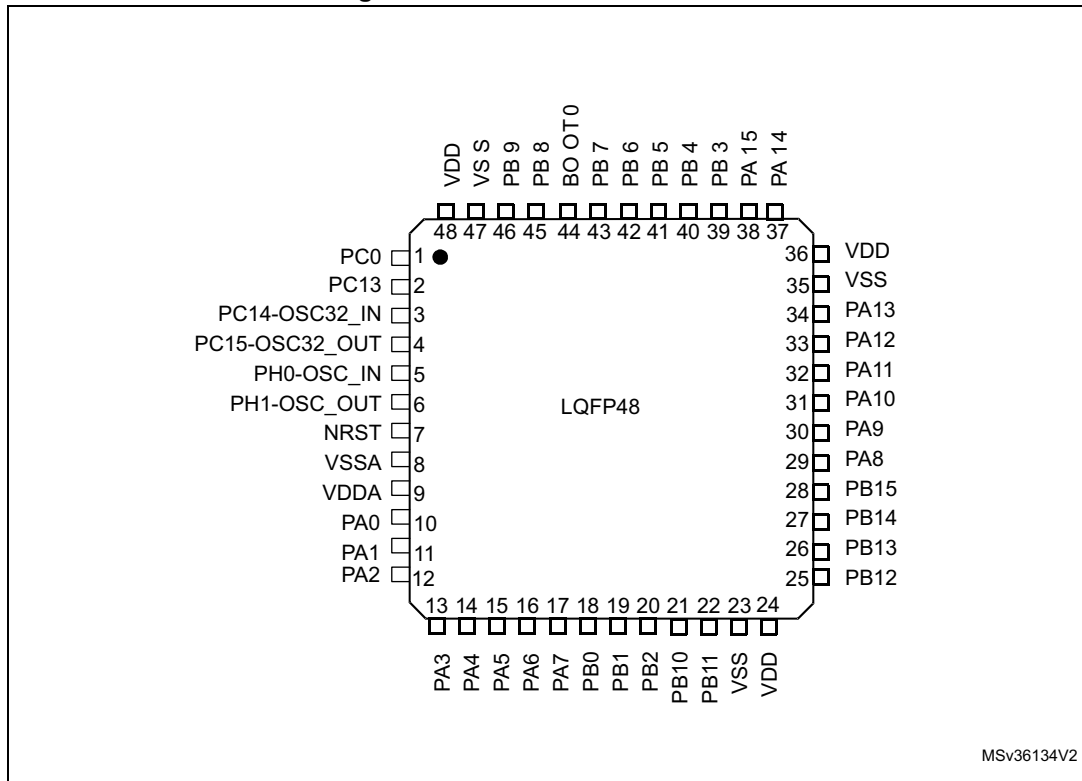
# 4 Pin descriptions

Figure 3. STM32L031x4/6 UFQFPN48



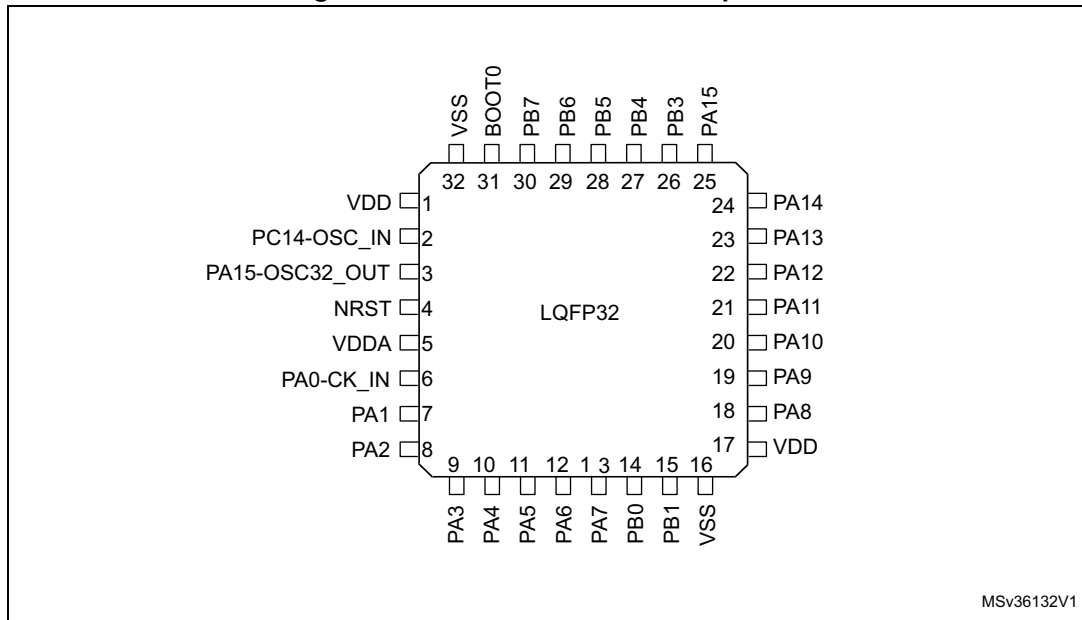
1. The above figure shows the package top view.

Figure 4. STM32L031x4/6 LQFP48



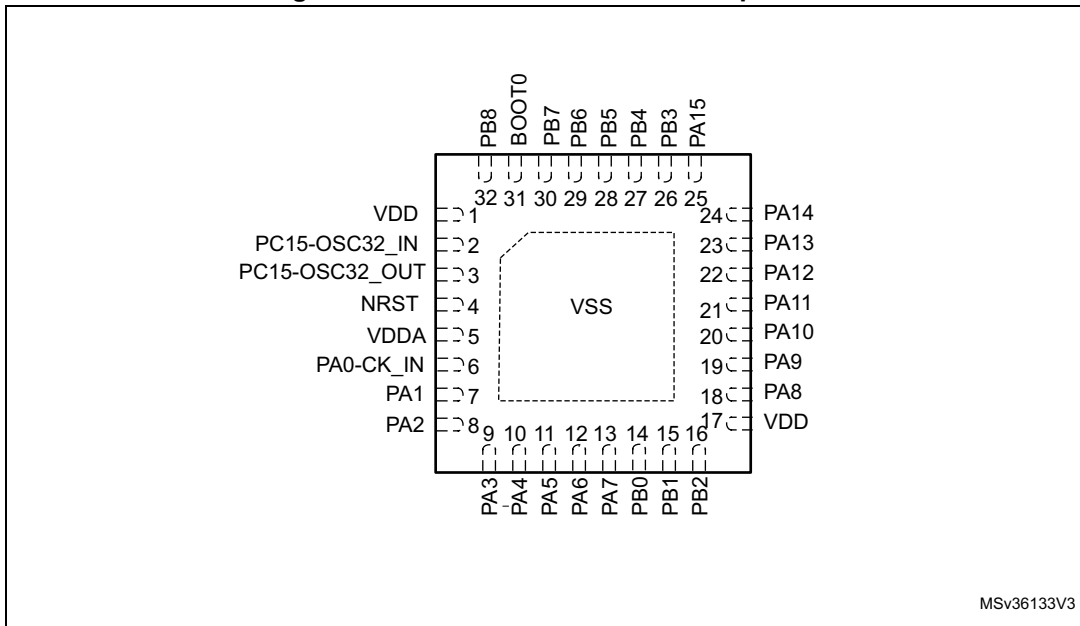
1. The above figure shows the package bump view.

Figure 5. STM32L031x4/6 LQFP32 pinout



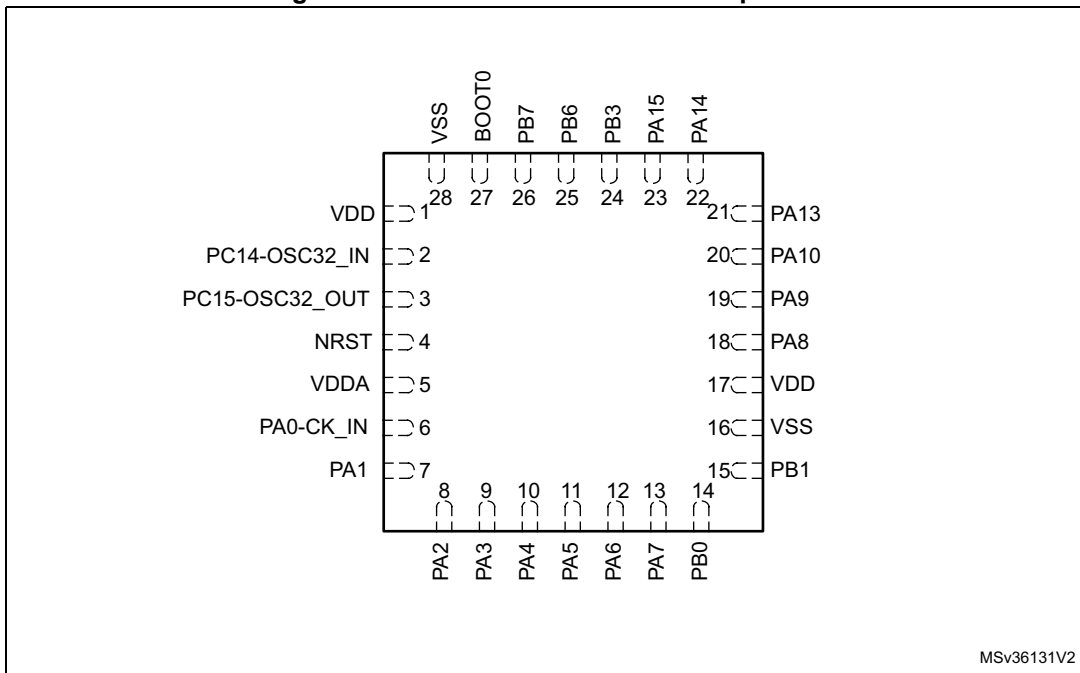
1. The above figure shows the package top view.

Figure 6. STM32L031x4/6 UFQFPN32 pinout



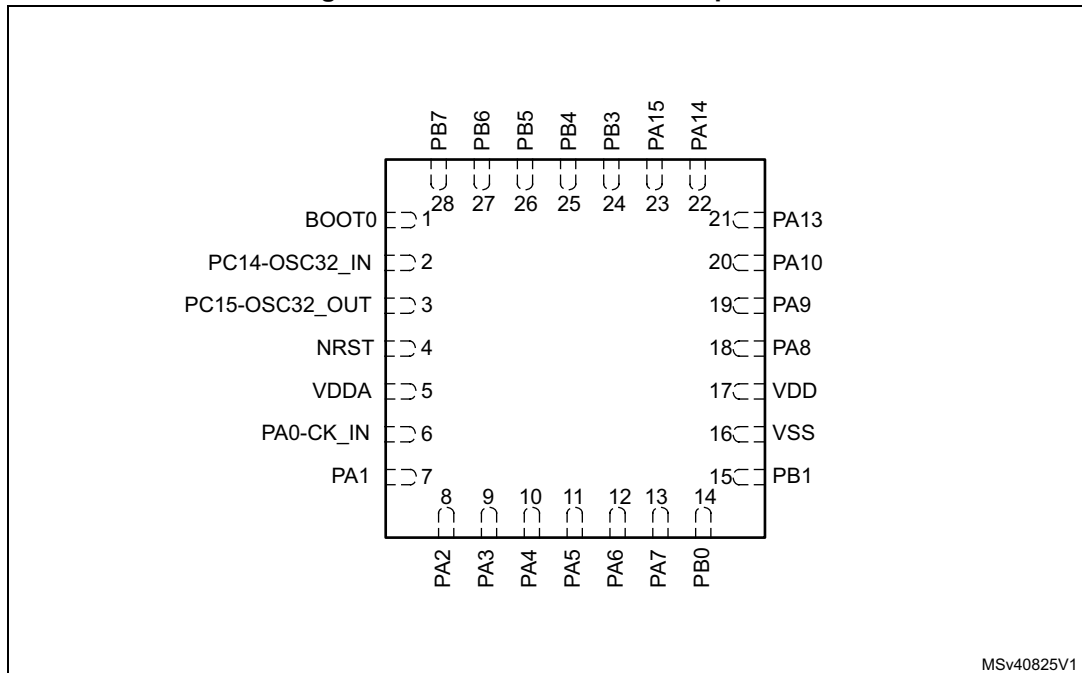
1. The above figure shows the package top view.

Figure 7. STM32L031x4/6 UFQFPN28 pinout



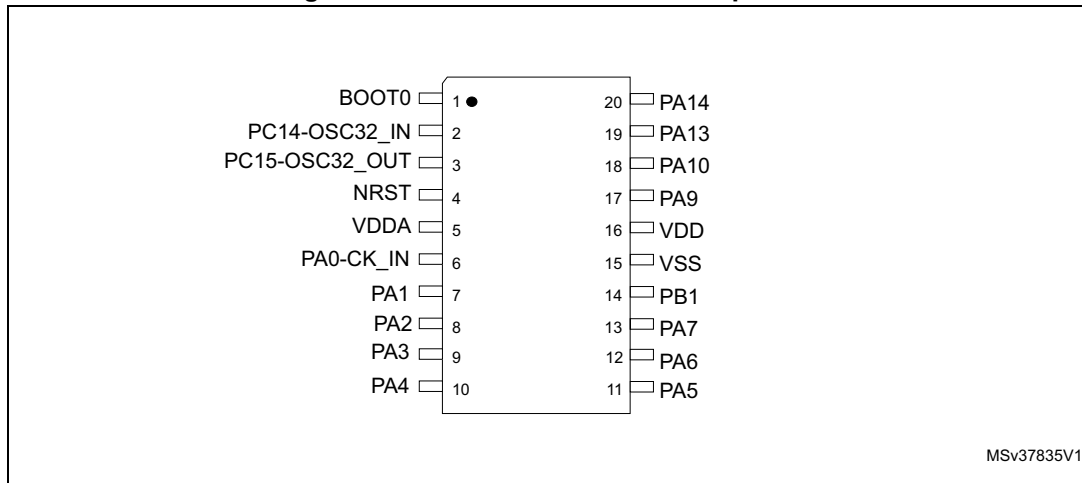
1. The above figure shows the package top view.
2. This pinout applies to all part numbers except for STM32L031GxUxS .

Figure 8. STM32L031 UFQFPN28 pinout



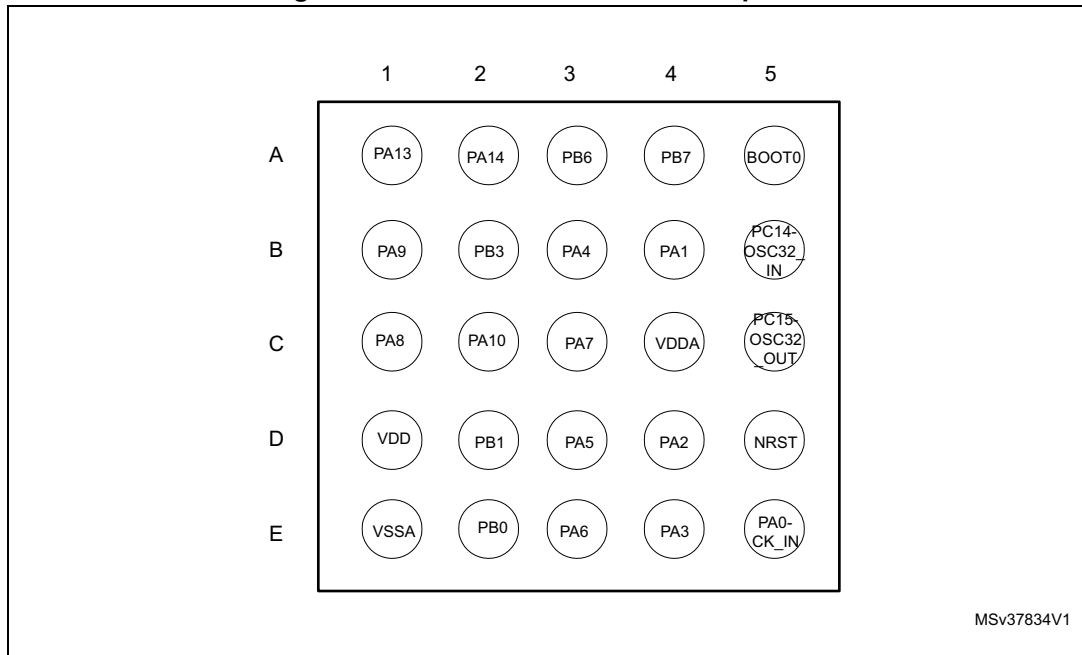
1. The above figure shows the package top view.
2. This pinout applies only to STM32L031GxUxS part number.

Figure 9. STM32L031x4/6 TSSOP20 pinout



1. The above figure shows the package top view.

Figure 10. STM32L031x4/6 WLCSP25 pinout



1. The above figure shows the package top view.

Table 14. Legend/abbreviations used in the pinout table

Name	Abbreviation	Definition
Pin name	Unless otherwise specified in brackets below the pin name, the pin function during and after reset is the same as the actual pin name	
Pin type	S	Supply pin
	I	Input only pin
	I/O	Input / output pin
I/O structure	FT	5 V tolerant I/O
	FTf	5 V tolerant I/O, FM+ capable
	TC	Standard 3.3V I/O
	B	Dedicated BOOT0 pin
	RST	Bidirectional reset pin with embedded weak pull-up resistor
Notes	Unless otherwise specified by a note, all I/Os are set as floating inputs during and after reset.	
Pin functions	Alternate functions	Functions selected through GPIOx_AFR registers
	Additional functions	Functions directly selected/enabled through peripheral registers

Table 15. Pin definitions

Pin Number								Pin name (function after reset)	Pin type	I/O structure	Note	Alternate functions	Additional functions
TSSOP20	WLCSP25	UFQFPN28	UFQFPN28 (STM32L031GxUxS only)	LQFP32	UFQFPN32 <sup>(1)</sup>	LQFP48	UFQFPN48						
-	-	-	-	-	-	2	2	PC13- ANTI_TAMP	I/O	FT	-	-	TAMP1/WKUP2
2	B5	2	2	2	2	3	3	PC14- OSC32_IN	I/O	TC	-	-	OSC32_IN
3	C5	3	3	3	3	4	4	PC15- OSC32_OUT	I/O	TC	-	-	OSC32_OUT
-	-	-	-	-	-	5	5	PH0- OSC_IN	I/O	TC	-	-	-
-	-	-	-	-	-	6	6	PH1- OSC_OUT	I/O	TC	-	-	-
4	D5	4	4	4	4	7	7	NRST	I/O	-	-	-	-
-	-	-	-	-	-	1	1	PC0	I/O	FT	-	LPTIM1_IN1, EVENTOUT, LPUART1_RX	-
-	E1	-	-	-	"0"	8	8	VSSA	S	-	-	-	-
5	C4	5	5	5	5	9	9	VDDA	S	-	-	-	-
6	E5	6	6	6	6	-	-	PA0-CK_IN	I/O	TC	-	LPTIM1_IN1, TIM2_CH1, USART2_CTS, TIM2_ETR, COMP1_OUT	COMP1_INM6, ADC_IN0, RTC_TAMP2/WKUP1
-	-	-	-	-	-	10	10	PA0	I/O	TC	-	LPTIM1_IN1, TIM2_CH1, USART2_CTS, TIM2_ETR, COMP1_OUT	COMP1_INM6, ADC_IN0, RTC_TAMP2/WKUP1

Table 15. Pin definitions (continued)

Pin Number								Pin name (function after reset)	Pin type	I/O structure	Note	Alternate functions	Additional functions
TSSOP20	WLCSP25	UFQFPN28	UFQFPN28 (STM32L031GxUxS only)	LQFP32	UFQFPN32 <sup>(1)</sup>	LQFP48	UFQFPN48						
7	B4	7	7	7	7	11	11	PA1	I/O	FT	-	EVENTOUT, LPTIM1_IN2, TIM2_CH2, I2C1_SMBA, USART2_RTS/ USART2_DE, TIM21_ETR	COMP1_INP, ADC_IN1
8	D4	8	8	8	8	12	12	PA2	I/O	TC	-	TIM21_CH1, TIM2_CH3, USART2_TX, LPUART1_TX, COMP2_OUT	COMP2_INM6, ADC_IN2, RTC_TAMP3/RTC_TS /RTC_OUT/WKUP3
9	E4	9	9	9	9	13	13	PA3	I/O	FT	-	TIM21_CH2, TIM2_CH4, USART2_RX, LPUART1_RX	COMP2_INP, ADC_IN3
10	B3	10	10	10	10	14	14	PA4	I/O	TC	-	SPI1_NSS, LPTIM1_IN1, USART2_CK, TIM22_ETR	COMP1_INM4, COMP2_INM4, ADC_IN4
11	D3	11	11	11	11	15	15	PA5	I/O	TC	-	SPI1_SCK, LPTIM1_IN2, TIM2_ETR, TIM2_CH1	COMP1_INM5, COMP2_INM5, ADC_IN5
12	E3	12	12	12	12	16	16	PA6	I/O	FT	-	SPI1_MISO, LPTIM1_ETR, LPUART1_CTS, TIM22_CH1, EVENTOUT, COMP1_OUT	ADC_IN6



Table 15. Pin definitions (continued)

Pin Number								Pin name (function after reset)	Pin type	I/O structure	Note	Alternate functions	Additional functions
TSSOP20	WLCSP25	UFQFPN28	UFQFPN28 (STM32L031GxUxS only)	LQFP32	UFQFPN32 <sup>(1)</sup>	LQFP48	UFQFPN48						
13	C3	13	13	13	13	17	17	PA7	I/O	FT	-	SPI1_MOSI, LPTIM1_OUT, USART2_CTS, TIM22_CH2, EVENTOUT, COMP2_OUT	ADC_IN7
-	E2	14	14	14	14	18	18	PB0	I/O	FT	-	EVENTOUT, SPI1_MISO, USART2_RTS/ USART2_DE, TIM2_CH3	ADC_IN8, VREF_OUT
14	D2	15	15	15	15	19	19	PB1	I/O	FT	-	USART2_CK, SPI1_MOSI, LPUART1_RTS/ LPUART1_DE, TIM2_CH4	ADC_IN9, VREF_OUT
-	-	-	-	-	-	16	20	PB2	I/O	FT	-	LPTIM1_OUT	-
-	-	-	-	-	-	-	21	PB10	I/O	FT	-	TIM2_CH3, LPUART1_TX	-
-	-	-	-	-	-	-	22	PB11	I/O	FT	-	EVENTOUT, TIM2_CH4, LPUART1_RX	-
15	-	16	16	16	-	23	23	VSS	S	-	-	-	-
16	-	17	17	17	17	24	24	VDD	S	-	-	-	-
-	-	-	-	-	-	-	25	PB12	I/O	FT	-	SPI1_NSS, EVENTOUT	-

Table 15. Pin definitions (continued)

Pin Number								Pin name (function after reset)	Pin type	I/O structure	Note	Alternate functions	Additional functions
TSSOP20	WLCSP25	UFQFPN28	UFQFPN28 (STM32L031GxUxS only)	LQFP32	UFQFPN32 <sup>(1)</sup>	LQFP48	UFQFPN48						
-	-	-	-	-	-	26	26	PB13	I/O	FT	-	SPI1_SCK, MCO, TIM21_CH1, LPUART1_CTS	-
-	-	-	-	-	-	27	27	PB14	I/O	FT	-	SPI1_MISO, RTC_OUT, TIM21_CH2, LPUART1_RTS/ LPUART1_DE	-
-	-	-	-	-	-	28	28	PB15	I/O	FT	-	SPI1_MOSI, RTC_REFIN	-
-	C1	18	18	18	18	29	29	PA8	I/O	FT	-	MCO, LPTIM1_IN1, EVENTOUT, USART2_CK, TIM2_CH1	-
17	B1	19	19	19	19	30	30	PA9	I/O	FTf	-	MCO, I2C1_SCL, USART2_TX, TIM22_CH1	-
18	C2	20	20	20	20	31	31	PA10	I/O	FTf	-	I2C1_SDA, USART2_RX, TIM22_CH2	-
-	-	-	-	21	21	32	32	PA11	I/O	FT	-	SPI1_MISO, EVENTOUT, USART2_CTS, TIM21_CH2, COMP1_OUT	-

Table 15. Pin definitions (continued)

Pin Number								Pin name (function after reset)	Pin type	I/O structure	Note	Alternate functions	Additional functions
TSSOP20	WLCSP25	UFQFPN28	UFQFPN28 (STM32L031GxUxS only)	LQFP32	UFQFPN32 <sup>(1)</sup>	LQFP48	UFQFPN48						
-	-	-	-	22	22	33	33	PA12	I/O	FT	-	SPI1_MOSI, EVENTOUT, USART2_RTS/ USART2_DE, COMP2_OUT	-
19	A1	21	21	23	23	34	34	PA13	I/O	FT	-	SWDIO, LPTIM1_ETR, LPUART1_RX	-
-	-	-	-	-	-	35	35	VSS	S	-	-	-	-
-	D1	-	-	-	-	36	36	VDD	S	-	-	-	-
20	A2	22	22	24	24	37	37	PA14	I/O	FT	-	SWCLK, LPTIM1_OUT, I2C1_SMBA, USART2_TX, LPUART1_TX	-
-	-	23	23	25	25	38	38	PA15	I/O	FT	-	SPI1_NSS, TIM2_ETR, EVENTOUT, USART2_RX, TIM2_CH1	--
-	B2	24	24	26	26	39	39	PB3	I/O	FT	-	SPI1_SCK, TIM2_CH2, EVENTOUT	COMP2_INN
-	-	-	25	27	27	40	40	PB4	I/O	FT	-	SPI1_MISO, EVENTOUT, TIM22_CH1	COMP2_INP

Table 15. Pin definitions (continued)

Pin Number								Pin name (function after reset)	Pin type	I/O structure	Note	Alternate functions	Additional functions
TSSOP20	WLCSP25	UFQFPN28	UFQFPN28 (STM32L031GxUxS only)	LQFP32	UFQFPN32 <sup>(1)</sup>	LQFP48	UFQFPN48						
-	-	-	26	28	28	41	41	PB5	I/O	FT	-	SPI1_MOSI, LPTIM1_IN1, I2C1_SMBA, TIM22_CH2	COMP2_INP
-	A3	25	27	29	29	42	42	PB6	I/O	FTf	-	USART2_TX, I2C1_SCL, LPTIM1_ETR, TIM21_CH1	COMP2_INP
-	A4	26	28	30	30	43	43	PB7	I/O	FTf	-	USART2_RX, I2C1_SDA, LPTIM1_IN2	COMP2_INP, VREF_PVD_IN
1	A5	27	1	31	31	44	44	BOOT0	I	-	-	-	-
-	-	-	-	-	32	45	45	PB8	I/O	FTf	-	I2C1_SCL	-
-	-	-	-	-	-	46	46	PB9	I/O	FTf	-	EVENTOUT, I2C1_SDA	-
-	-	28	-	32	-	47	47	VSS	S	-	-	-	-
-	-	1	-	1	1	48	48	VDD	S	-	-	-	-

1. VSS pins are connected to the exposed pad (see [Figure 43: UFQFPN32 - 32-pin, 5x5 mm, 0.5 mm pitch ultra thin fine pitch quad flat package outline](#)).

**Table 16. Alternate functions**

Ports		AF0	AF1	AF2	AF3	AF4	AF5	AF6	AF7
		SPI1/USART2 /LPTIM/TIM21 /EVENTOUT/ SYS_AF	SPI1/I2C1/ LPTIM	LPTIM/TIM2/ EVENTOUT/ SYS_AF	I2C1/ EVENTOUT	I2C1/USART2/ LPUART1/ TIM22/ EVENTOUT	TIM2/21/22	LPUART1/ EVENTOUT	COMP1/2
Port A	PA0	-	LPTIM1_IN1	TIM2_CH1	-	USART2_CTS	TIM2_ETR	-	COMP1_OUT
	PA1	EVENTOUT	LPTIM1_IN2	TIM2_CH2	I2C1_SMBA	USART2_RTS/ USART2_DE	TIM21_ETR	-	-
	PA2	TIM21_CH1	-	TIM2_CH3	-	USART2_TX	-	LPUART1_TX	COMP2_OUT
	PA3	TIM21_CH2	-	TIM2_CH4	-	USART2_RX	-	LPUART1_RX	
	PA4	SPI1_NSS	LPTIM1_IN1	-	-	USART2_CK	TIM22_ETR	-	-
	PA5	SPI1_SCK	LPTIM1_IN2	TIM2_ETR	-	-	TIM2_CH1	-	-
	PA6	SPI1_MISO	LPTIM1_ETR	-	-	LPUART1_CTS	TIM22_CH1	EVENTOUT	COMP1_OUT
	PA7	SPI1_MOSI	LPTIM1_OUT	-	-	USART2_CTS	TIM22_CH2	EVENTOUT	COMP2_OUT
	PA8	MCO	-	LPTIM1_IN1	EVENTOUT	USART2_CK	TIM2_CH1	-	-
	PA9	MCO	I2C1_SCL	-	-	USART2_TX	TIM22_CH1	-	-
	PA10	-	I2C1_SDA	-	-	USART2_RX	TIM22_CH2	-	-
	PA11	SPI1_MISO	-	EVENTOUT	-	USART2_CTS	TIM21_CH2	-	COMP1_OUT
	PA12	SPI1_MOSI	-	EVENTOUT	-	USART2_RTS/ USART2_DE	-	-	COMP2_OUT
	PA13	SWDIO	LPTIM1_ETR	-	-	-	-	LPUART1_RX	-
	PA14	SWCLK	LPTIM1_OUT	-	I2C1_SMBA	USART2_TX	-	LPUART1_TX	-
PA15	SPI1_NSS	-	TIM2_ETR	EVENTOUT	USART2_RX	TIM2_CH1	-	-	



Table 16. Alternate functions (continued)

Ports		AF0	AF1	AF2	AF3	AF4	AF5	AF6	AF7
		SPI1/USART2 /LPTIM/TIM21 /EVENTOUT/ SYS_AF	SPI1/I2C1/ LPTIM	LPTIM/TIM2/ EVENTOUT/ SYS_AF	I2C1/ EVENTOUT	I2C1/USART2/ LPUART1/ TIM22/ EVENTOUT	TIM2/21/22	LPUART1/ EVENTOUT	COMP1/2
Port B	PB0	EVENTOUT	SPI1_MISO	-	-	USART2_RTS/ USART2_DE	TIM2_CH3	-	-
	PB1	USART2_CK	SPI1_MOSI	-	-	LPUART1_RTS /LPUART1_DE	TIM2_CH4	-	-
	PB2	-	-	LPTIM1_OUT	-	-	-	-	-
	PB3	SPI1_SCK	-	TIM2_CH2	-	EVENTOUT	-	-	-
	PB4	SPI1_MISO	-	EVENTOUT	-	TIM22_CH1	-	-	-
	PB5	SPI1_MOSI	-	LPTIM1_IN1	I2C1_SMBA	TIM22_CH2	-	-	-
	PB6	USART2_TX	I2C1_SCL	LPTIM1_ETR	-	-	TIM21_CH1	-	-
	PB7	USART2_RX	I2C1_SDA	LPTIM1_IN2	-	-	-	-	-
	PB8	-	-	-	-	I2C1_SCL	-	-	-
	PB9	-	-	EVENTOUT	-	I2C1_SDA	-	-	-
	PB10	-	-	TIM2_CH3	-	-	-	LPUART1_TX	-
	PB11	EVENTOUT	-	TIM2_CH4	-	-	-	LPUART1_RX	-
	PB12	SPI1_NSS	-	-	-	-	-	EVENTOUT	-
	PB13	SPI1_SCK	-	MCO	-	-	TIM21_CH1	LPUART1_CTS	-
	PB14	SPI1_MISO	-	RTC_OUT	-	-	TIM21_CH2	LPUART1_RTS /LPUART1_DE	-
PB15	SPI1_MOSI	-	RTC_REFIN	-	-	-	-	-	
Port C	PC0	LPTIM1_IN1	-	EVENTOUT	-	-	-	LPUART1_RX	-
Port H	PH0	-	-	-	-	-	-	-	-
	PH1	-	-	-	-	-	-	-	-

## 5 Memory mapping

Refer to the product line reference manual for details on the memory mapping as well as the boundary addresses for all peripherals.

## 6 Electrical characteristics

### 6.1 Parameter conditions

Unless otherwise specified, all voltages are referenced to  $V_{SS}$ .

#### 6.1.1 Minimum and maximum values

Unless otherwise specified the minimum and maximum values are guaranteed in the worst conditions of ambient temperature, supply voltage and frequencies by tests in production on 100% of the devices with an ambient temperature at  $T_A = 25\text{ °C}$  and  $T_A = T_{Amax}$  (given by the selected temperature range).

Data based on characterization results, design simulation and/or technology characteristics are indicated in the table footnotes and are not tested in production. Based on characterization, the minimum and maximum values refer to sample tests and represent the mean value plus or minus three times the standard deviation ( $\text{mean} \pm 3\sigma$ ).

#### 6.1.2 Typical values

Unless otherwise specified, typical data are based on  $T_A = 25\text{ °C}$ ,  $V_{DD} = 3.6\text{ V}$  (for the  $1.65\text{ V} \leq V_{DD} \leq 3.6\text{ V}$  voltage range). They are given only as design guidelines and are not tested.

Typical ADC accuracy values are determined by characterization of a batch of samples from a standard diffusion lot over the full temperature range, where 95% of the devices have an error less than or equal to the value indicated ( $\text{mean} \pm 2\sigma$ ).

#### 6.1.3 Typical curves

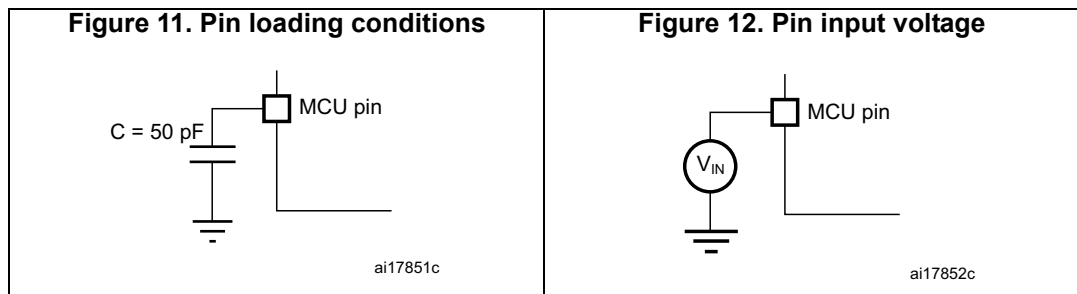
Unless otherwise specified, all typical curves are given only as design guidelines and are not tested.

#### 6.1.4 Loading capacitor

The loading conditions used for pin parameter measurement are shown in [Figure 11](#).

#### 6.1.5 Pin input voltage

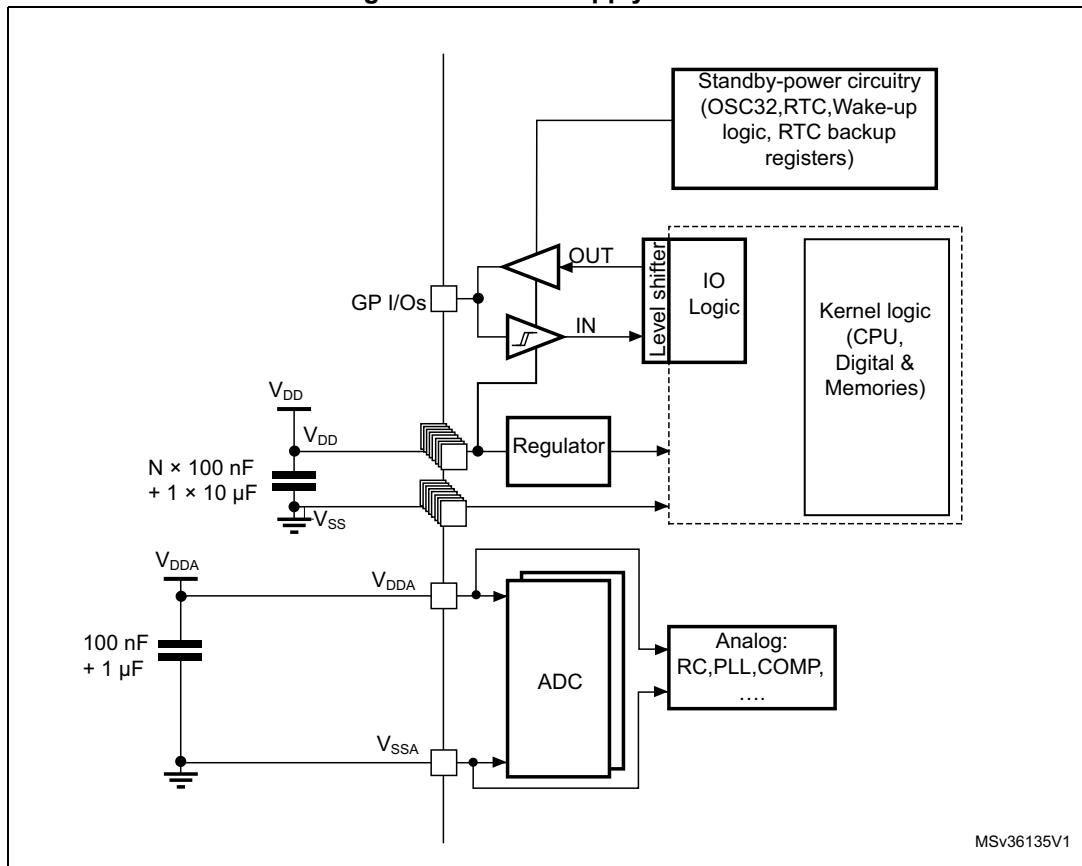
The input voltage measurement on a pin of the device is described in [Figure 12](#).





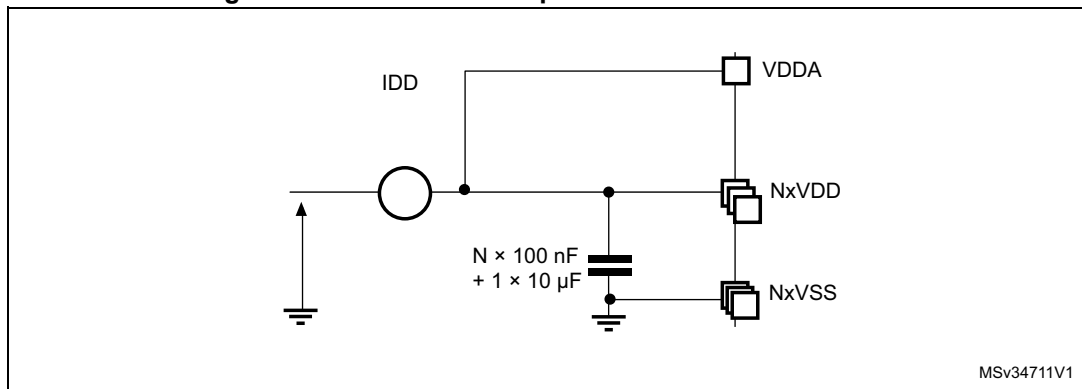
6.1.6 Power supply scheme

Figure 13. Power supply scheme



6.1.7 Current consumption measurement

Figure 14. Current consumption measurement scheme



## 6.2 Absolute maximum ratings

Stresses above the absolute maximum ratings listed in [Table 17: Voltage characteristics](#), [Table 18: Current characteristics](#), and [Table 19: Thermal characteristics](#) may cause permanent damage to the device. These are stress ratings only and functional operation of the device at these conditions is not implied. Exposure to maximum rating conditions for extended periods may affect device reliability. Device mission profile (application conditions) is compliant with JEDEC JESD47 Qualification Standard. Extended mission profiles are available on demand.

**Table 17. Voltage characteristics**

Symbol	Ratings	Min	Max	Unit
$V_{DD}-V_{SS}$	External main supply voltage (including $V_{DDA}$ , $V_{DD}$ ) <sup>(1)</sup>	-0.3	4.0	V
$V_{IN}^{(2)}$	Input voltage on FT and FTf pins	$V_{SS}-0.3$	$V_{DD}+4.0$	
	Input voltage on TC pins	$V_{SS}-0.3$	4.0	
	Input voltage on BOOT0	$V_{SS}$	$V_{DD}+4.0$	
	Input voltage on any other pin	$V_{SS}-0.3$	4.0	
$ \Delta V_{DD} $	Variations between different $V_{DDx}$ power pins	-	50	mV
$ V_{DDA}-V_{DDx} $	Variations between any $V_{DDx}$ and $V_{DDA}$ power pins <sup>(3)</sup>	-	300	
$ \Delta V_{SS} $	Variations between all different ground pins	-	50	
$V_{ESD(HBM)}$	Electrostatic discharge voltage (human body model)	see <a href="#">Section 6.3.11</a>		

1. All main power ( $V_{DD}$ ,  $V_{DDA}$ ) and ground ( $V_{SS}$ ,  $V_{SSA}$ ) pins must always be connected to the external power supply, in the permitted range.
2.  $V_{IN}$  maximum must always be respected. Refer to [Table 18](#) for maximum allowed injected current values.
3. It is recommended to power  $V_{DD}$  and  $V_{DDA}$  from the same source. A maximum difference of 300 mV between  $V_{DD}$  and  $V_{DDA}$  can be tolerated during power-up and device operation.

Table 18. Current characteristics

Symbol	Ratings	Max.	Unit
$\Sigma I_{VDD}^{(2)}$	Total current into sum of all $V_{DD}$ power lines (source) <sup>(1)</sup>	105	mA
$\Sigma I_{VSS}^{(2)}$	Total current out of sum of all $V_{SS}$ ground lines (sink) <sup>(1)</sup>	105	
$I_{VDD(PIN)}$	Maximum current into each $V_{DD}$ power pin (source) <sup>(1)</sup>	100	
$I_{VSS(PIN)}$	Maximum current out of each $V_{SS}$ ground pin (sink) <sup>(1)</sup>	100	
$I_{IO}$	Output current sunk by any I/O and control pin except FTf pins	16	
	Output current sunk by FTf pins	22	
	Output current sourced by any I/O and control pin	-16	
$\Sigma I_{IO(PIN)}^{(3)}$	Total output current sunk by sum of all IOs and control pins <sup>(4)</sup>	45	
	Total output current sourced by sum of all IOs and control pins <sup>(4)</sup>	-45	
$\Sigma I_{IO(PIN)}^{(5)}$	Total output current sunk by sum of all IOs and control pins <sup>(2)</sup>	90	
	Total output current sourced by sum of all IOs and control pins <sup>(2)</sup>	-90	
$I_{INJ(PIN)}$	Injected current on FT, FFf, RST and B pins	-5/+0 <sup>(6)</sup>	
	Injected current on TC pin	$\pm 5$ <sup>(7)</sup>	
$\Sigma I_{INJ(PIN)}$	Total injected current (sum of all I/O and control pins) <sup>(8)</sup>	$\pm 25$	

- All main power ( $V_{DD}$ ,  $V_{DDA}$ ) and ground ( $V_{SS}$ ,  $V_{SSA}$ ) pins must always be connected to the external power supply, in the permitted range.
- This current consumption must be correctly distributed over all I/Os and control pins. The total output current must not be sunk/sourced between two consecutive power supply pins referring to high pin count LQFP packages.
- These values apply only to STM32L031GxUxS part number.
- This current consumption must be correctly distributed over all I/Os and control pins. In particular, it must be located the closest possible to the couple of supply and ground, and distributed on both sides.
- These values apply to all part numbers except for STM32L031GxUxS.
- Positive current injection is not possible on these I/Os. A negative injection is induced by  $V_{IN} < V_{SS}$ .  $I_{INJ(PIN)}$  must never be exceeded. Refer to [Table 17](#) for maximum allowed input voltage values.
- A positive injection is induced by  $V_{IN} > V_{DD}$  while a negative injection is induced by  $V_{IN} < V_{SS}$ .  $I_{INJ(PIN)}$  must never be exceeded. Refer to [Table 17: Voltage characteristics](#) for the maximum allowed input voltage values.
- When several inputs are submitted to a current injection, the maximum  $\Sigma I_{INJ(PIN)}$  is the absolute sum of the positive and negative injected currents (instantaneous values).

Table 19. Thermal characteristics

Symbol	Ratings	Value	Unit
$T_{STG}$	Storage temperature range	-65 to +150	°C
$T_J$	Maximum junction temperature	150	°C

## 6.3 Operating conditions

### 6.3.1 General operating conditions

Table 20. General operating conditions

Symbol	Parameter	Conditions	Min	Max	Unit
$f_{HCLK}$	Internal AHB clock frequency	-	0	32	MHz
$f_{PCLK1}$	Internal APB1 clock frequency	-	0	32	
$f_{PCLK2}$	Internal APB2 clock frequency	-	0	32	
$V_{DD}$	Standard operating voltage	BOR detector disabled	1.65	3.6	V
		BOR detector enabled, at power on	1.8	3.6	
		BOR detector disabled, after power on	1.65	3.6	
$V_{DDA}$	Analog operating voltage (all features)	Must be the same voltage as $V_{DD}$ <sup>(1)</sup>	1.65	3.6	V
$V_{IN}$	Input voltage on FT, FTf and RST pins <sup>(2)</sup>	$2.0\text{ V} \leq V_{DD} \leq 3.6\text{ V}$	-0.3	5.5	V
		$1.65\text{ V} \leq V_{DD} \leq 2.0\text{ V}$	-0.3	5.2	
	Input voltage on BOOT0 pin	-	0	5.5	
	Input voltage on TC pin	-	-0.3	$V_{DD}+0.3$	
$P_D$	Power dissipation at $T_A = 85\text{ °C}$ (range 6) or $T_A = 105\text{ °C}$ (range 7) <sup>(3)</sup>	LQFP48 package	-	351	mW
		UFQFPN48 package	-	625	
		LQFP32 package	-	333	
		UFQFPN32 package	-	513	
		UFQFPN28 package	-	167	
		WLCSP25 package	-	286	
		TSSOP20 package	-	333	
	Power dissipation at $T_A = 125\text{ °C}$ (range 3) <sup>(3)</sup>	LQFP48 package	-	88	
		UFQFPN48 package	-	156	
		LQFP32 package	-	83	
		UFQFPN32 package	-	128	
		UFQFPN28 package	-	42	
		WLCSP25 package	-	71	
		TSSOP20 package	-	83	

**Table 20. General operating conditions (continued)**

Symbol	Parameter	Conditions	Min	Max	Unit
T <sub>A</sub>	Temperature range	Maximum power dissipation (range 6)	-40	85	°C
		Maximum power dissipation (range 7)	-40	105	
		Maximum power dissipation (range 3)	-40	125	
T <sub>J</sub>	Junction temperature range (range 6)	-40 °C ≤ T <sub>A</sub> ≤ 85 °C	-40	105	
	Junction temperature range (range 7)	-40 °C ≤ T <sub>A</sub> ≤ 105 °C	-40	125	
	Junction temperature range (range 3)	-40 °C ≤ T <sub>A</sub> ≤ 125 °C	-40	130	

1. It is recommended to power V<sub>DD</sub> and V<sub>DDA</sub> from the same source. A maximum difference of 300 mV between V<sub>DD</sub> and V<sub>DDA</sub> can be tolerated during power-up and normal operation.
2. To sustain a voltage higher than V<sub>DD</sub>+0.3V, the internal pull-up/pull-down resistors must be disabled.
3. If T<sub>A</sub> is lower, higher P<sub>D</sub> values are allowed as long as T<sub>J</sub> does not exceed T<sub>J</sub> max (see [Table 19: Thermal characteristics on page 51](#)).

### 6.3.2 Embedded reset and power control block characteristics

The parameters given in the following table are derived from the tests performed under the ambient temperature condition summarized in [Table 20](#).

**Table 21. Embedded reset and power control block characteristics**

Symbol	Parameter	Conditions	Min	Typ	Max	Unit
t <sub>VDD</sub> <sup>(1)</sup>	V <sub>DD</sub> rise time rate	BOR detector enabled	0	-	∞	µs/V
		BOR detector disabled	0	-	1000	
	V <sub>DD</sub> fall time rate	BOR detector enabled	20	-	∞	
		BOR detector disabled	0	-	1000	
T <sub>RSTTEMPO</sub> <sup>(1)</sup>	Reset temporization	V <sub>DD</sub> rising, BOR enabled	-	2	3.3	ms
		V <sub>DD</sub> rising, BOR disabled <sup>(2)</sup>	0.4	0.7	1.6	
V <sub>POR/PDR</sub>	Power on/power down reset threshold	Falling edge	1	1.5	1.65	V
		Rising edge	1.3	1.5	1.65	
V <sub>BOR0</sub>	Brown-out reset threshold 0	Falling edge	1.67	1.7	1.74	
		Rising edge	1.69	1.76	1.8	
V <sub>BOR1</sub>	Brown-out reset threshold 1	Falling edge	1.87	1.93	1.97	
		Rising edge	1.96	2.03	2.07	
V <sub>BOR2</sub>	Brown-out reset threshold 2	Falling edge	2.22	2.30	2.35	
		Rising edge	2.31	2.41	2.44	

**Table 21. Embedded reset and power control block characteristics (continued)**

Symbol	Parameter	Conditions	Min	Typ	Max	Unit
V <sub>BOR3</sub>	Brown-out reset threshold 3	Falling edge	2.45	2.55	2.6	V
		Rising edge	2.54	2.66	2.7	
V <sub>BOR4</sub>	Brown-out reset threshold 4	Falling edge	2.68	2.8	2.85	
		Rising edge	2.78	2.9	2.95	
V <sub>PVD0</sub>	Programmable voltage detector threshold 0	Falling edge	1.8	1.85	1.88	
		Rising edge	1.88	1.94	1.99	
V <sub>PVD1</sub>	PVD threshold 1	Falling edge	1.98	2.04	2.09	
		Rising edge	2.08	2.14	2.18	
V <sub>PVD2</sub>	PVD threshold 2	Falling edge	2.20	2.24	2.28	
		Rising edge	2.28	2.34	2.38	
V <sub>PVD3</sub>	PVD threshold 3	Falling edge	2.39	2.44	2.48	
		Rising edge	2.47	2.54	2.58	
V <sub>PVD4</sub>	PVD threshold 4	Falling edge	2.57	2.64	2.69	
		Rising edge	2.68	2.74	2.79	
V <sub>PVD5</sub>	PVD threshold 5	Falling edge	2.77	2.83	2.88	
		Rising edge	2.87	2.94	2.99	
V <sub>PVD6</sub>	PVD threshold 6	Falling edge	2.97	3.05	3.09	
		Rising edge	3.08	3.15	3.20	
V <sub>hyst</sub>	Hysteresis voltage	BOR0 threshold	-	40	-	mV
		All BOR and PVD thresholds excepting BOR0	-	100	-	

1. Guaranteed by characterization results.
2. Valid for device version without BOR at power up. Please see option "D" in Ordering information scheme for more details.

### 6.3.3 Embedded internal reference voltage

The parameters given in [Table 23](#) are based on characterization results, unless otherwise specified.

**Table 22. Embedded internal reference voltage calibration values**

Calibration value name	Description	Memory address
VREFINT_CAL	Raw data acquired at temperature of 25 °C, V <sub>DDA</sub> = 3 V	0x1FF8 0078 - 0x1FF8 0079

**Table 23. Embedded internal reference voltage<sup>(1)</sup>**

Symbol	Parameter	Conditions	Min	Typ	Max	Unit
V <sub>REFINT_out</sub> <sup>(2)</sup>	Internal reference voltage	-40 °C < T <sub>J</sub> < +125 °C	1.202	1.224	1.242	V
T <sub>VREFINT</sub>	Internal reference startup time	-	-	2	3	ms
V <sub>VREF_MEAS</sub>	V <sub>DDA</sub> voltage during V <sub>REFINT</sub> factory measure	-	2.99	3	3.01	V
A <sub>VREF_MEAS</sub>	Accuracy of factory-measured V <sub>REFINT</sub> value <sup>(3)</sup>	Including uncertainties due to ADC and V <sub>DDA</sub> values	-	-	±5	mV
T <sub>Coef</sub> <sup>(4)</sup>	Temperature coefficient	-40 °C < T <sub>J</sub> < +125 °C	-	25	100	ppm/°C
A <sub>Coef</sub> <sup>(4)</sup>	Long-term stability	1000 hours, T = 25 °C	-	-	1000	ppm
V <sub>DDCoef</sub> <sup>(4)</sup>	Voltage coefficient	3.0 V < V <sub>DDA</sub> < 3.6 V	-	-	2000	ppm/V
T <sub>S_vrefint</sub> <sup>(4)(5)</sup>	ADC sampling time when reading the internal reference voltage	-	5	10	-	µs
T <sub>ADC_BUF</sub> <sup>(4)</sup>	Startup time of reference voltage buffer for ADC	-	-	-	10	µs
I <sub>BUF_ADC</sub> <sup>(4)</sup>	Consumption of reference voltage buffer for ADC	-	-	13.5	25	µA
I <sub>VREF_OUT</sub> <sup>(4)</sup>	VREF_OUT output current <sup>(6)</sup>	-	-	-	1	µA
C <sub>VREF_OUT</sub> <sup>(4)</sup>	VREF_OUT output load	-	-	-	50	pF
I <sub>LPBUF</sub> <sup>(4)</sup>	Consumption of reference voltage buffer for VREF_OUT and COMP	-	-	730	1200	nA
V <sub>REFINT_DIV1</sub> <sup>(4)</sup>	1/4 reference voltage	-	24	25	26	% V <sub>REFINT</sub>
V <sub>REFINT_DIV2</sub> <sup>(4)</sup>	1/2 reference voltage	-	49	50	51	
V <sub>REFINT_DIV3</sub> <sup>(4)</sup>	3/4 reference voltage	-	74	75	76	

1. Refer to [Table 35: Peripheral current consumption in Stop and Standby mode](#) for the value of the internal reference current consumption (I<sub>REFINT</sub>).
2. Guaranteed by test in production.
3. The internal V<sub>REF</sub> value is individually measured in production and stored in dedicated EEPROM bytes.
4. Guaranteed by design.
5. Shortest sampling time can be determined in the application by multiple iterations.
6. To guarantee less than 1% VREF\_OUT deviation.

### 6.3.4 Supply current characteristics

The current consumption is a function of several parameters and factors such as the operating voltage, temperature, I/O pin loading, device software configuration, operating frequencies, I/O pin switching rate, program location in memory and executed binary code. The current consumption is measured as described in [Figure 14: Current consumption measurement scheme](#).

All Run-mode current consumption measurements given in this section are performed with a reduced code that gives a consumption equivalent to Dhrystone 2.1 code if not specified otherwise.

The current consumption values are derived from the tests performed under ambient temperature and  $V_{DD}$  supply voltage conditions summarized in [Table 20: General operating conditions](#) unless otherwise specified.

The MCU is placed under the following conditions:

- All I/O pins are configured in analog input mode
- All peripherals are disabled except when explicitly mentioned
- The Flash memory access time and prefetch is adjusted depending on fHCLK frequency and voltage range to provide the best CPU performance unless otherwise specified.
- When the peripherals are enabled  $f_{APB1} = f_{APB2} = f_{APB}$
- When PLL is on, the PLL inputs are equal to HSI = 16 MHz (if internal clock is used) or HSE = 16 MHz (if HSE bypass mode is used)
- The HSE user clock is applied to OSCI\_IN input (LQFP48 package) and to CK\_IN (other packages). It follows the characteristic specified in [Table 37: High-speed external user clock characteristics](#)
- For maximum current consumption  $V_{DD} = V_{DDA} = 3.6$  V is applied to all supply pins
- For typical current consumption  $V_{DD} = V_{DDA} = 3.0$  V is applied to all supply pins if not specified otherwise

The parameters given in [Table 44](#), [Table 20](#) and [Table 21](#) are derived from tests performed under ambient temperature and  $V_{DD}$  supply voltage conditions summarized in [Table 20](#).



**Table 24. Current consumption in Run mode, code with data processing running from Flash memory**

Symbol	Parameter	Conditions		f <sub>HCLK</sub>	Typ	Max <sup>(1)</sup>	Unit
I <sub>DD</sub> (Run from Flash)	Supply current in Run mode, code executed from Flash	f <sub>HSE</sub> = f <sub>HCLK</sub> up to 16 MHz included, f <sub>HSE</sub> = f <sub>HCLK</sub> /2 above 16 MHz (PLL on) <sup>(2)</sup>	Range 3, V <sub>CORE</sub> = 1.2 V, VOS[1:0] = 11	1 MHz	140	200	μA
				2 MHz	245	310	
				4 MHz	460	540	
			Range 2, V <sub>CORE</sub> = 1.5 V, VOS[1:0] = 10,	4 MHz	0.56	0.63	mA
				8 MHz	1.1	1.2	
				16 MHz	2.1	2.3	
		Range 1, V <sub>CORE</sub> = 1.8 V, VOS[1:0] = 01	8 MHz	1.25	1.4		
			16 MHz	2.5	2.7		
			32 MHz	5	5.6		
		HSI clock	Range 2, V <sub>CORE</sub> = 1.5 V, VOS[1:0] = 10,	16 MHz	2.1	2.4	
				Range 1, V <sub>CORE</sub> = 1.8 V, VOS[1:0] = 01	32 MHz	5.1	5.7
		MSI clock	Range 3, V <sub>CORE</sub> = 1.2 V, VOS[1:0] = 11	65 kHz	34.5	110	μA
524 kHz	86			150			
4.2 MHz	505			570			

1. Guaranteed by characterization results at 125 °C, unless otherwise specified.
2. Oscillator bypassed (HSEBYP = 1 in RCC\_CR register).

**Table 25. Current consumption in Run mode vs code type, code with data processing running from Flash memory**

Symbol	Parameter	Conditions		f <sub>HCLK</sub>	Typ	Unit	
I <sub>DD</sub> (Run from Flash)	Supply current in Run mode, code executed from Flash memory	f <sub>HSE</sub> = f <sub>HCLK</sub> up to 16 MHz included, f <sub>HSE</sub> = f <sub>HCLK</sub> /2 above 16 MHz (PLL ON) <sup>(1)</sup>	Range 3, V <sub>CORE</sub> =1.2 V, VOS[1:0] = 11	Dhrystone	4 MHz	460	μA
				CoreMark		455	
				Fibonacci		330	
				while(1)		305	
				while(1), prefetch OFF		320	
		Range 1, VOS[1:0] = 01, V <sub>CORE</sub> = 1.8 V	Dhrystone	32 MHz	5	mA	
			CoreMark		5.15		
			Fibonacci		5		
			while(1)		4.35		
			while(1), prefetch OFF		3.85		

1. Oscillator bypassed (HSEBYP = 1 in RCC\_CR register).

Figure 15.  $I_{DD}$  vs  $V_{DD}$ , at  $T_A = 25/55/85/105^\circ\text{C}$ , Run mode, code running from Flash memory, Range 2, HSE = 16 MHz, 1WS

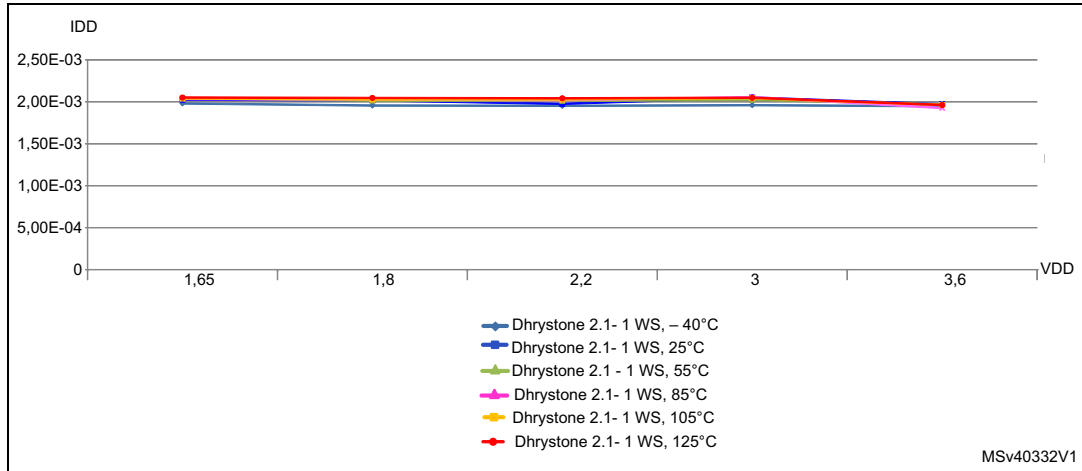
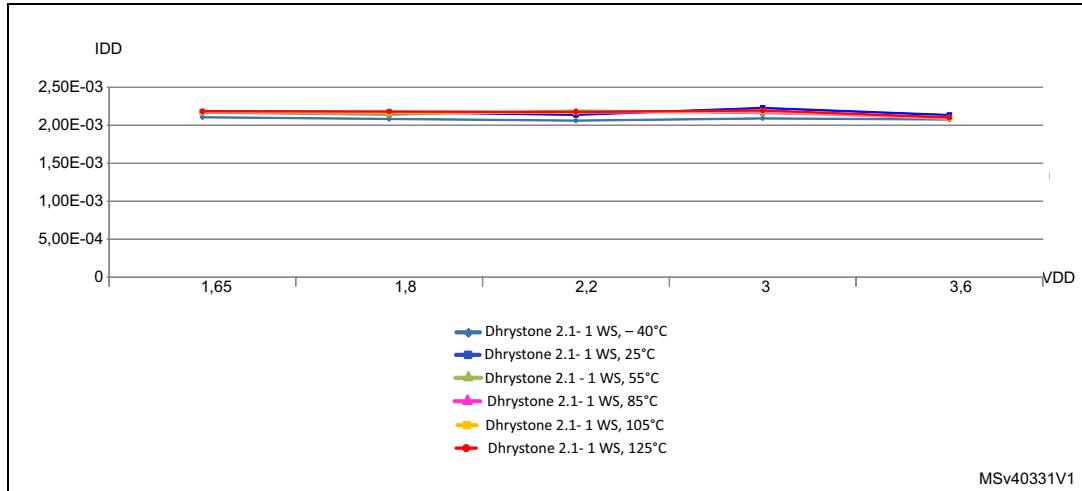


Figure 16.  $I_{DD}$  vs  $V_{DD}$ , at  $T_A = 25/55/85/105^\circ\text{C}$ , Run mode, code running from Flash memory, Range 2, HSI16, 1WS



**Table 26. Current consumption in Run mode, code with data processing running from RAM**

Symbol	Parameter	Conditions		f <sub>HCLK</sub>	Typ	Max <sup>(1)</sup>	Unit
I <sub>DD</sub> (Run from RAM)	Supply current in Run mode, code executed from RAM, Flash switched OFF	f <sub>HSE</sub> = f <sub>HCLK</sub> up to 16 MHz, included f <sub>HSE</sub> = f <sub>HCLK</sub> /2 above 16 MHz (PLL ON) <sup>(2)</sup>	Range 3, V <sub>CORE</sub> = 1.2 V, VOS[1:0] = 11	1 MHz	115	170	μA
				2 MHz	210	250	
				4 MHz	385	420	
			Range 2, V <sub>CORE</sub> = 1.5 V, VOS[1:0] = 10	4 MHz	0.48	0.6	mA
				8 MHz	0.935	1.1	
				16 MHz	1.8	2	
		Range 1, V <sub>CORE</sub> = 1.8 V, VOS[1:0] = 01	8 MHz	1.1	1.3	mA	
			16 MHz	2.1	2.3		
			32 MHz	4.5	4.7		
		MSI clock	Range 3, V <sub>CORE</sub> = 1.2 V, VOS[1:0] = 11	65 kHz	22	52	μA
				524 kHz	70.5	91	
				4.2 MHz	420	450	
HSI16 clock source (16 MHz)	Range 2, V <sub>CORE</sub> = 1.5 V, VOS[1:0] = 10	16 MHz	1.95	2.2	mA		
		Range 1, V <sub>CORE</sub> = 1.8 V, VOS[1:0] = 01	32 MHz	4.7		5.1	

1. Guaranteed by characterization results at 125 °C, unless otherwise specified.
2. Oscillator bypassed (HSEBYP = 1 in RCC\_CR register).

**Table 27. Current consumption in Run mode vs code type, code with data processing running from RAM<sup>(1)</sup>**

Symbol	Parameter	Conditions		f <sub>HCLK</sub>	Typ	Unit	
I <sub>DD</sub> (Run from RAM)	Supply current in Run mode, code executed from RAM, Flash switched OFF	f <sub>HSE</sub> = f <sub>HCLK</sub> up to 16 MHz, included, f <sub>HSE</sub> = f <sub>HCLK</sub> /2 above 16 MHz (PLL ON) <sup>(2)</sup>	Range 3, V <sub>CORE</sub> = 1.2 V, VOS[1:0] = 11	Dhrystone	4 MHz	385	μA
				CoreMark		395	
				Fibonacci		360	
				while(1)		265	
		Range 1, V <sub>CORE</sub> = 1.8 V, VOS[1:0] = 01	Dhrystone	32 MHz	4.5	mA	
			CoreMark		4.65		
			Fibonacci		4.2		
			while(1)		3.05		

1. Guaranteed by characterization results, unless otherwise specified.
2. Oscillator bypassed (HSEBYP = 1 in RCC\_CR register).

Table 28. Current consumption in Sleep mode

Symbol	Parameter	Conditions	f <sub>HCLK</sub>	Typ	Max <sup>(1)</sup>	Unit	
I <sub>DD</sub> (Sleep)	Supply current in Sleep mode, Flash memory OFF	f <sub>HSE</sub> = f <sub>HCLK</sub> up to 16 MHz included, f <sub>HSE</sub> = f <sub>HCLK</sub> /2 above 16 MHz (PLL ON) <sup>(2)</sup>	Range 3, V <sub>CORE</sub> = 1.2 V, VOS[1:0] = 11	1 MHz	36.5	87	μA
				2 MHz	58	100	
				4 MHz	100	170	
			Range 2, V <sub>CORE</sub> = 1.5 V, VOS[1:0] = 10	4 MHz	125	190	
				8 MHz	230	310	
				16 MHz	450	540	
		Range 1, V <sub>CORE</sub> = 1.8 V, VOS[1:0] = 01	8 MHz	275	360		
			16 MHz	555	650		
			32 MHz	1350	1600		
		HSI16 clock source (16 MHz)	Range 2, V <sub>CORE</sub> = 1.5 V, VOS[1:0] = 10	16 MHz	585	690	
			Range 1, V <sub>CORE</sub> = 1.8 V, VOS[1:0] = 01	32 MHz	1500	1700	
		MSI clock	Range 3, V <sub>CORE</sub> = 1.2 V, VOS[1:0] = 11	65 kHz	17	43	
	524 kHz			28	55		
	4.2 MHz			115	190		
	Supply current in Sleep mode, Flash memory ON	f <sub>HSE</sub> = f <sub>HCLK</sub> up to 16 MHz included, f <sub>HSE</sub> = f <sub>HCLK</sub> /2 above 16 MHz (PLL ON) <sup>(2)</sup>	Range 3, V <sub>CORE</sub> = 1.2 V, VOS[1:0] = 11	1 MHz	49	160	
				2 MHz	69	190	
				4 MHz	115	230	
			Range 2, V <sub>CORE</sub> = 1.5 V, VOS[1:0] = 10	4 MHz	135	200	
				8 MHz	240	320	
				16 MHz	460	550	
		Range 1, V <sub>CORE</sub> = 1.8 V, VOS[1:0]=01	8 MHz	290	370		
			16 MHz	565	670		
			32 MHz	1350	1600		
		HSI16 clock source (16 MHz)	Range 2, V <sub>CORE</sub> = 1.5 V, VOS[1:0]=10	16 MHz	600	700	
Range 1, V <sub>CORE</sub> = 1.8 V, VOS[1:0] = 01			32 MHz	1500	1700		
MSI clock		Range 3, V <sub>CORE</sub> = 1.2 V, VOS[1:0] = 11	65 kHz	28	55		
	524 kHz		39.5	67			
	4.2 MHz		125	200			

1. Guaranteed by characterization results at 125 °C, unless otherwise specified.  
 2. Oscillator bypassed (HSEBYP = 1 in RCC\_CR register).

Table 29. Current consumption in Low-power run mode

Symbol	Parameter	Conditions		Typ	Max <sup>(1)</sup>	Unit	
I <sub>DD</sub> (LP Run)	Supply current in Low-power run mode	All peripherals off, code executed from RAM, Flash memory OFF, V <sub>DD</sub> from 1.65 V to 3.6 V	MSI clock, 65 kHz f <sub>HCLK</sub> = 32 kHz	T <sub>A</sub> = -40 °C to 25 °C	6.3	8.4	μA
				T <sub>A</sub> = 85 °C	9.15	13	
				T <sub>A</sub> = 105 °C	12.5	19	
				T <sub>A</sub> = 125 °C	20.5	36	
			MSI clock, 65 kHz f <sub>HCLK</sub> = 65 kHz	T <sub>A</sub> = -40 °C to 25 °C	9.45	12	
				T <sub>A</sub> = 85 °C	12.5	15	
				T <sub>A</sub> = 105 °C	16	22	
				T <sub>A</sub> = 125 °C	24	38	
			MSI clock, 131 kHz f <sub>HCLK</sub> = 131 kHz	T <sub>A</sub> = -40 °C to 25 °C	17	20	
				T <sub>A</sub> = 55 °C	19	21	
				T <sub>A</sub> = 85 °C	20.5	24	
				T <sub>A</sub> = 105 °C	23.5	28	
		All peripherals off, code executed from Flash memory, V <sub>DD</sub> from 1.65 V to 3.6 V	MSI clock, 65 kHz f <sub>HCLK</sub> = 32 kHz	T <sub>A</sub> = -40 °C to 25 °C	18.5	23	
				T <sub>A</sub> = 85 °C	23	27	
				T <sub>A</sub> = 105 °C	27	33	
				T <sub>A</sub> = 125 °C	36	52	
			MSI clock, 65 kHz f <sub>HCLK</sub> = 65 kHz	T <sub>A</sub> = -40 °C to 25 °C	22.5	26	
				T <sub>A</sub> = 85 °C	27.5	31	
				T <sub>A</sub> = 105 °C	31	38	
				T <sub>A</sub> = 125 °C	40.5	56	
			MSI clock, 131 kHz f <sub>HCLK</sub> = 131 kHz	T <sub>A</sub> = -40 °C to 25 °C	32	36	
				T <sub>A</sub> = 55 °C	35	37	
				T <sub>A</sub> = 85 °C	37.5	42	
				T <sub>A</sub> = 105 °C	41	47	
		T <sub>A</sub> = 125 °C	50	65			

1. Guaranteed by characterization results at 125 °C, unless otherwise specified.

Figure 17.  $I_{DD}$  vs  $V_{DD}$ , at  $T_A = 25/55/ 85/105/125$  °C, Low-power run mode, code running from RAM, Range 3, MSI (Range 0) at 64 KHz, 0 WS

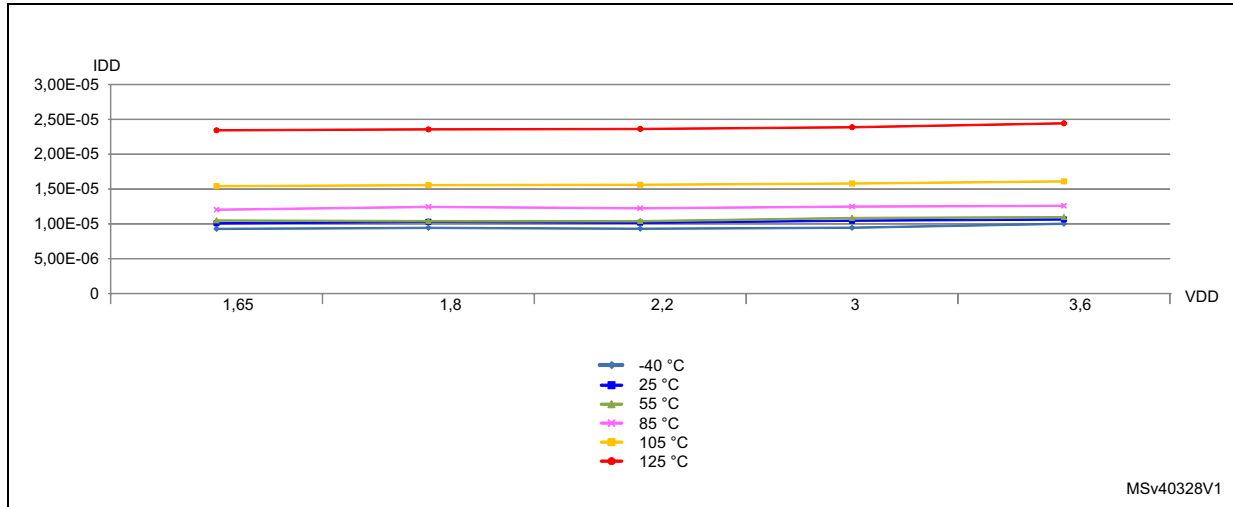


Table 30. Current consumption in Low-power sleep mode

Symbol	Parameter	Conditions	Typ	Max <sup>(1)</sup>	Unit		
$I_{DD}$ (LP Sleep)	Supply current in Low-power sleep mode	All peripherals off, $V_{DD}$ from 1.65 V to 3.6 V	MSI clock, 65 kHz $f_{HCLK} = 32$ kHz Flash memory OFF	$T_A = -40$ °C to $25$ °C	3.2 <sup>(2)</sup>	-	$\mu A$
			MSI clock, 65 kHz $f_{HCLK} = 32$ kHz Flash memory ON	$T_A = -40$ °C to $25$ °C	13	19	
				$T_A = 85$ °C	16	21	
				$T_A = 105$ °C	18.5	24	
				$T_A = 125$ °C	23.5	32	
			MSI clock, 65 kHz $f_{HCLK} = 65$ kHz, Flash memory ON	$T_A = -40$ °C to $25$ °C	13.5	19	
				$T_A = 85$ °C	16.5	21	
				$T_A = 105$ °C	18.5	24	
			MSI clock, 131 kHz $f_{HCLK} = 131$ kHz, Flash memory ON	$T_A = 125$ °C	24	33	
				$T_A = -40$ °C to $25$ °C	15.5	21	
				$T_A = 55$ °C	17.5	22	
				$T_A = 85$ °C	18.5	23	
				$T_A = 105$ °C	21	26	
				$T_A = 125$ °C	26	35	

1. Guaranteed by characterization results at 125 °C, unless otherwise specified.
2. As the CPU is in Sleep mode, the difference between the current consumption with Flash memory ON and OFF (nearly 12  $\mu A$ ) is the same whatever the clock frequency.

Table 31. Typical and maximum current consumptions in Stop mode

Symbol	Parameter	Conditions	Typ	Max <sup>(1)</sup>	Unit
I <sub>DD</sub> (Stop)	Supply current in Stop mode	T <sub>A</sub> = -40°C to 25°C	0.38	0.99	μA
		T <sub>A</sub> = 55°C	0.54	1.9	
		T <sub>A</sub> = 85°C	1.35	4.2	
		T <sub>A</sub> = 105°C	3.1	9	
		T <sub>A</sub> = 125°C	7.55	19	

1. Guaranteed by characterization results at 125 °C, unless otherwise specified.

Figure 18. I<sub>DD</sub> vs V<sub>DD</sub>, at T<sub>A</sub>= 25/55/ 85/105/125 °C, Stop mode with RTC enabled and running on LSE Low drive

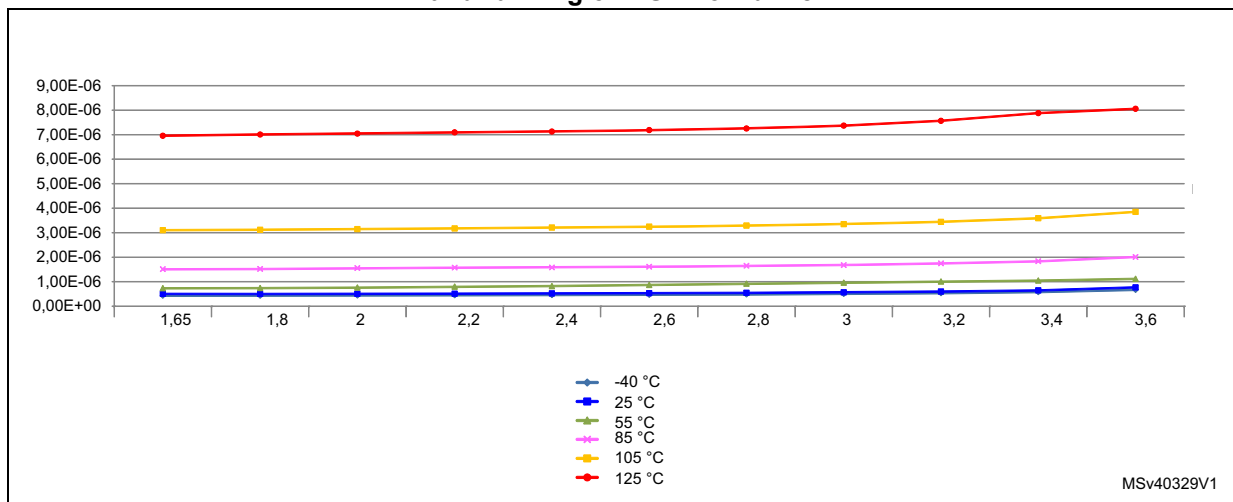
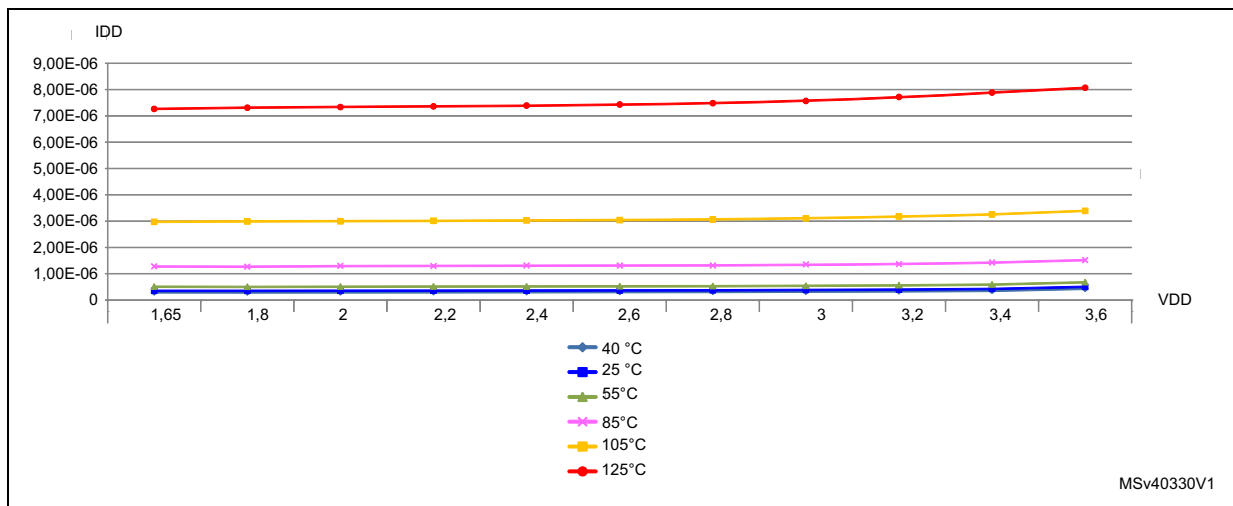


Figure 19. I<sub>DD</sub> vs V<sub>DD</sub>, at T<sub>A</sub>= 25/55/85/105/125 °C, Stop mode with RTC disabled, all clocks off



**Table 32. Typical and maximum current consumptions in Standby mode**

Symbol	Parameter	Conditions		Typ	Max <sup>(1)</sup>	Unit
I <sub>DD</sub> (Standby)	Supply current in Standby mode	Independent watchdog and LSI enabled	T <sub>A</sub> = -40 °C to 25 °C	0.8	1.6	μA
			T <sub>A</sub> = 55 °C	0.9	1.8	
			T <sub>A</sub> = 85 °C	1	2	
			T <sub>A</sub> = 105 °C	1.3	3	
			T <sub>A</sub> = 125 °C	2.15	7	
		Independent watchdog and LSI off	T <sub>A</sub> = -40 °C to 25 °C	0.255	0.6	
			T <sub>A</sub> = 55 °C	0.28	0.7	
			T <sub>A</sub> = 85 °C	0.405	1	
			T <sub>A</sub> = 105 °C	0.7	1.7	
			T <sub>A</sub> = 125 °C	1.55	5	

1. Guaranteed by characterization results at 125 °C, unless otherwise specified

**Table 33. Average current consumption during wakeup**

Symbol	parameter	System frequency	Current consumption during wakeup	Unit
I <sub>DD</sub> (WU from Stop)	Supply current during wakeup from Stop mode	HSI	1	mA
		HSI/4	0.7	
		MSI 4,2 MHz	0.7	
		MSI 1,05 MHz	0.4	
		MSI 65 KHz	0.1	
I <sub>DD</sub> (Reset)	Reset pin pulled down	-	0.21	
I <sub>DD</sub> (Power Up)	BOR on	-	0.23	
I <sub>DD</sub> (WU from StandBy)	With Fast wakeup set	MSI 2,1 MHz	0.5	
	With Fast wakeup disabled	MSI 2,1 MHz	0.12	



**On-chip peripheral current consumption**

The current consumption of the on-chip peripherals is given in the following tables. The MCU is placed under the following conditions:

- all I/O pins are in input mode with a static value at V<sub>DD</sub> or V<sub>SS</sub> (no load)
- all peripherals are disabled unless otherwise mentioned
- the given value is calculated by measuring the current consumption
  - with all peripherals clocked off
  - with only one peripheral clocked on

**Table 34. Peripheral current consumption in Run or Sleep mode<sup>(1)</sup>**

Peripheral		Typical consumption, V <sub>DD</sub> = 3.0 V, T <sub>A</sub> = 25 °C				Unit
		Range 1, V <sub>CORE</sub> =1.8 V VOS[1:0] = 01	Range 2, V <sub>CORE</sub> =1.5 V VOS[1:0] = 10	Range 3, V <sub>CORE</sub> =1.2 V VOS[1:0] = 11	Low-power sleep and run	
APB1	WWDG	3	2	2	2	µA/MHz (f <sub>HCLK</sub> )
	LPUART1	8	6.5	5.5	6	
	I2C1	11	9.5	7.5	9	
	LPTIM1	10	8.5	6.5	8	
	TIM2	10.5	8.5	7	9	
	USART2	14.5	12	9.5	11	
APB2	ADC1 <sup>(2)</sup>	5.5	5	3.5	4	µA/MHz (f <sub>HCLK</sub> )
	SPI1	4	3	3	2.5	
	TIM21	7.5	6	5	5.5	
	TIM22	7	6	5	6	
	DBGMCU	1.5	1	1	0.5	
	SYSCFG	2.5	2	2	1.5	
Cortex-M0+ core I/O port	GPIOA	3.5	3	2.5	2.5	µA/MHz (f <sub>HCLK</sub> )
	GPIOB	3.5	2.5	2	2.5	
	GPIOC	8.5	6.5	5.5	7	
	GPIOH	1.5	1	1	0.5	
AHB	CRC	1.5	1	1	1	µA/MHz (f <sub>HCLK</sub> )
	FLASH	0 <sup>(3)</sup>	0 <sup>(3)</sup>	0 <sup>(3)</sup>	0 <sup>(3)</sup>	
	DMA1	10	8	6.5	8.5	
All enabled		101	83	66	85	
PWR		2.5	2	2	1	µA/MHz (f <sub>HCLK</sub> )

1. Data based on differential I<sub>DD</sub> measurement between all peripherals off and one peripheral with clock enabled, in the following conditions: f<sub>HCLK</sub> = 32 MHz (range 1), f<sub>HCLK</sub> = 16 MHz (range 2), f<sub>HCLK</sub> = 4 MHz (range 3), f<sub>HCLK</sub> = 64kHz (Low-power run/sleep), f<sub>APB1</sub> = f<sub>HCLK</sub>, f<sub>APB2</sub> = f<sub>HCLK</sub>, default prescaler value for each peripheral. The CPU is in Sleep mode in both cases. No I/O pins toggling. Not tested in production.

2. HSI oscillator is off for this measure.

3. Current consumption is negligible and close to 0 µA.



**Table 35. Peripheral current consumption in Stop and Standby mode<sup>(1)</sup>**

Symbol	Peripheral	Typical consumption, T <sub>A</sub> = 25 °C		Unit
		V <sub>DD</sub> =1.8 V	V <sub>DD</sub> =3.0 V	
I <sub>DD(PVD / BOR)</sub>	-	0.7	1.2	μA
I <sub>REFINT</sub>	-	1.3	1.4	
-	LSE Low drive <sup>(2)</sup>	0.1	0.1	
-	LSI	0.27	0.31	
-	IWDG	0.2	0.3	
-	LPTIM1, Input 100 Hz	0.01	0.01	
-	LPTIM1, Input 1 MHz	6	6	
-	LPUART1	0.2	0.2	
-	RTC (LSE in Bypass mode)	0.2	0.2	

1. LPTIM, LPUART peripherals can operate in Stop mode but not in Standby mode
2. LSE Low drive consumption is the difference between an external clock on OSC32\_IN and a quartz between OSC32\_IN and OSC32\_OUT.

### 6.3.5 Wakeup time from low-power mode

The wakeup times given in the following table are measured with the MSI or HSI16 RC oscillator. The clock source used to wake up the device depends on the current operating mode:

- Sleep mode: the clock source is the clock that was set before entering Sleep mode
- Stop mode: the clock source is either the MSI oscillator in the range configured before entering Stop mode, the HSI16 or HSI16/4.
- Standby mode: the clock source is the MSI oscillator running at 2.1 MHz

All timings are derived from tests performed under ambient temperature and V<sub>DD</sub> supply voltage conditions summarized in [Table 20](#).

Table 36. Low-power mode wakeup timings

Symbol	Parameter	Conditions	Typ	Max	Unit
$t_{WUSLEEP}$	Wakeup from Sleep mode	$f_{HCLK} = 32 \text{ MHz}$	7	8	Number of clock cycles
$t_{WUSLEEP\_LP}$	Wakeup from Low-power sleep mode, $f_{HCLK} = 262 \text{ kHz}$	$f_{HCLK} = 262 \text{ kHz}$ Flash memory enabled	7	8	
		$f_{HCLK} = 262 \text{ kHz}$ Flash memory switched OFF	9	10	
$t_{WUSTOP}$	Wakeup from Stop mode, regulator in Run mode	$f_{HCLK} = f_{MSI} = 4.2 \text{ MHz}$	5.0	8	$\mu\text{s}$
		$f_{HCLK} = f_{HSI} = 16 \text{ MHz}$	4.9	7	
		$f_{HCLK} = f_{HSI}/4 = 4 \text{ MHz}$	8.0	11	
	Wakeup from Stop mode, regulator in low-power mode	$f_{HCLK} = f_{MSI} = 4.2 \text{ MHz}$ Voltage range 1	5.0	8	
		$f_{HCLK} = f_{MSI} = 4.2 \text{ MHz}$ Voltage range 2	5.0	8	
		$f_{HCLK} = f_{MSI} = 4.2 \text{ MHz}$ Voltage range 3	5.0	8	
		$f_{HCLK} = f_{MSI} = 2.1 \text{ MHz}$	7.3	13	
		$f_{HCLK} = f_{MSI} = 1.05 \text{ MHz}$	13	23	
		$f_{HCLK} = f_{MSI} = 524 \text{ kHz}$	28	38	
		$f_{HCLK} = f_{MSI} = 262 \text{ kHz}$	51	65	
		$f_{HCLK} = f_{MSI} = 131 \text{ kHz}$	100	120	
		$f_{HCLK} = \text{MSI} = 65 \text{ kHz}$	200	260	
		$f_{HCLK} = f_{HSI} = 16 \text{ MHz}$	4.9	7	
		$f_{HCLK} = f_{HSI}/4 = 4 \text{ MHz}$	8.0	11	
		Wakeup from Stop mode, regulator in low-power mode, code running from RAM	$f_{HCLK} = f_{HSI} = 16 \text{ MHz}$	4.9	
$f_{HCLK} = f_{HSI}/4 = 4 \text{ MHz}$	7.9		10		
$f_{HCLK} = f_{MSI} = 4.2 \text{ MHz}$	4.7		8		
$t_{WUSTDBY}$	Wakeup from Standby mode FWU bit = 1	$f_{HCLK} = \text{MSI} = 2.1 \text{ MHz}$	65	130	ms
	Wakeup from Standby mode FWU bit = 0	$f_{HCLK} = \text{MSI} = 2.1 \text{ MHz}$	2.2	3	

### 6.3.6 External clock source characteristics

#### High-speed external user clock generated from an external source

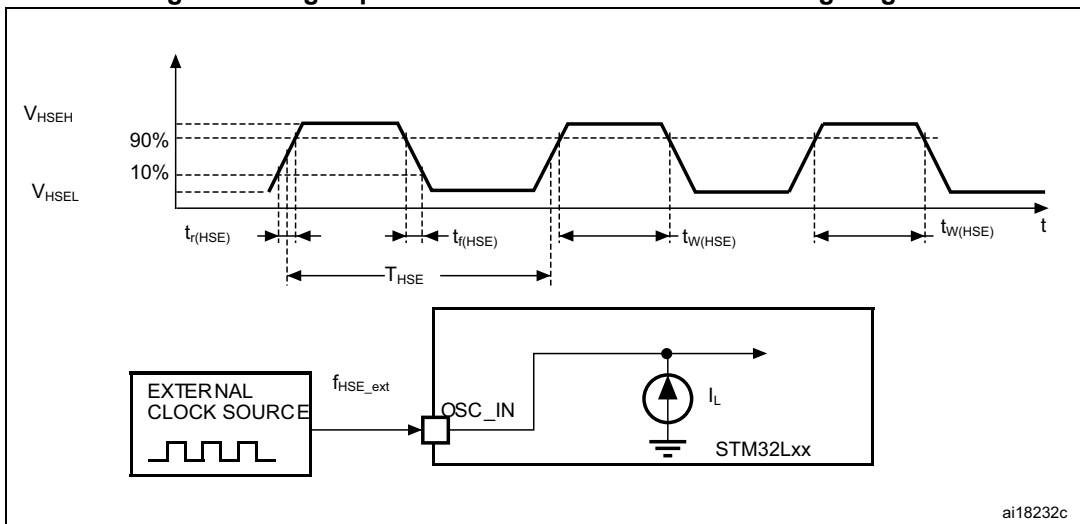
In bypass mode the HSE oscillator is switched off and the input pin is a standard GPIO. The external clock signal has to respect the I/O characteristics in [Section 6.3.12](#). However, the recommended clock input waveform is shown in [Figure 20](#).

**Table 37. High-speed external user clock characteristics<sup>(1)</sup>**

Symbol	Parameter	Conditions	Min	Typ	Max	Unit	
$f_{HSE\_ext}$	User external clock source frequency	CSS is on or PLL is used	1	8	32	MHz	
		CSS is off, PLL not used	0	8	32	MHz	
$V_{HSEH}$	OSC_IN/CK_IN <sup>(2)</sup> input pin high level voltage	-	$0.7V_{DD}$	-	$V_{DD}$	V	
$V_{HSEL}$	OSC_IN/CK_IN <sup>(2)</sup> input pin low level voltage		$V_{SS}$	-	$0.3V_{DD}$		
$t_{w(HSE)}$ $t_{w(HSE)}$	OSC_IN/CK_IN <sup>(2)</sup> high or low time		12	-	-	ns	
$t_{r(HSE)}$ $t_{f(HSE)}$	OSC_IN/CK_IN <sup>(2)</sup> rise or fall time		-	-	20		
$C_{in(HSE)}$	OSC_IN/CK_IN <sup>(2)</sup> input capacitance		-	2.6	-		pF
$DuCy_{(HSE)}$	Duty cycle			45	-	55	%
$I_L$	OSC_IN/CK_IN <sup>(2)</sup> Input leakage current		$V_{SS} \leq V_{IN} \leq V_{DD}$	-	-	$\pm 1$	$\mu A$

1. Guaranteed by design.
2. HSE external user clock is applied to OSC\_IN on LQFP48 package and to CK\_IN on other packages.

**Figure 20. High-speed external clock source AC timing diagram**



**Low-speed external user clock generated from an external source**

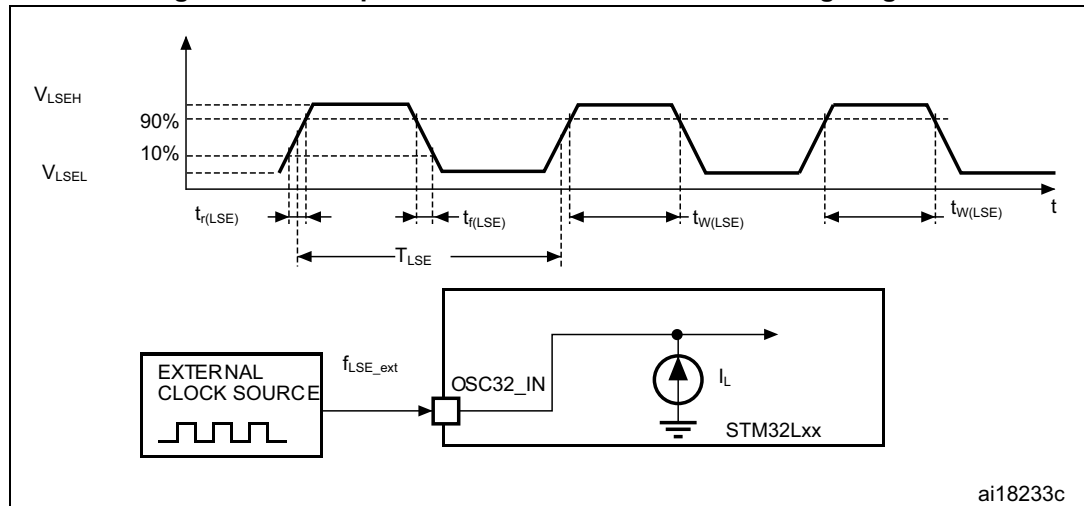
The characteristics given in the following table result from tests performed using a low-speed external clock source, and under ambient temperature and supply voltage conditions summarized in [Table 20](#).

**Table 38. Low-speed external user clock characteristics<sup>(1)</sup>**

Symbol	Parameter	Conditions	Min	Typ	Max	Unit
$f_{LSE\_ext}$	User external clock source frequency	-	1	32.768	1000	kHz
$V_{LSEH}$	OSC32_IN input pin high level voltage		$0.7V_{DD}$	-	$V_{DD}$	V
$V_{LSEL}$	OSC32_IN input pin low level voltage		$V_{SS}$	-	$0.3V_{DD}$	
$t_{w(LSE)}$ $t_{w(LSE)}$	OSC32_IN high or low time		465	-	-	ns
$t_{r(LSE)}$ $t_{f(LSE)}$	OSC32_IN rise or fall time		-	-	10	
$C_{IN(LSE)}$	OSC32_IN input capacitance	-	-	0.6	-	pF
$DuCy_{(LSE)}$	Duty cycle	-	45	-	55	%
$I_L$	OSC32_IN Input leakage current	$V_{SS} \leq V_{IN} \leq V_{DD}$	-	-	$\pm 1$	$\mu A$

1. Guaranteed by design.

**Figure 21. Low-speed external clock source AC timing diagram**



### High-speed external clock generated from a crystal/ceramic resonator

The high-speed external (HSE) clock can be supplied with a 1 to 25 MHz crystal/ceramic resonator oscillator (LQFP48 package only). All the information given in this paragraph are based on characterization results obtained with typical external components specified in [Table 39](#). In the application, the resonator and the load capacitors have to be placed as close as possible to the oscillator pins in order to minimize output distortion and startup stabilization time. Refer to the crystal resonator manufacturer for more details on the resonator characteristics (frequency, package, accuracy).

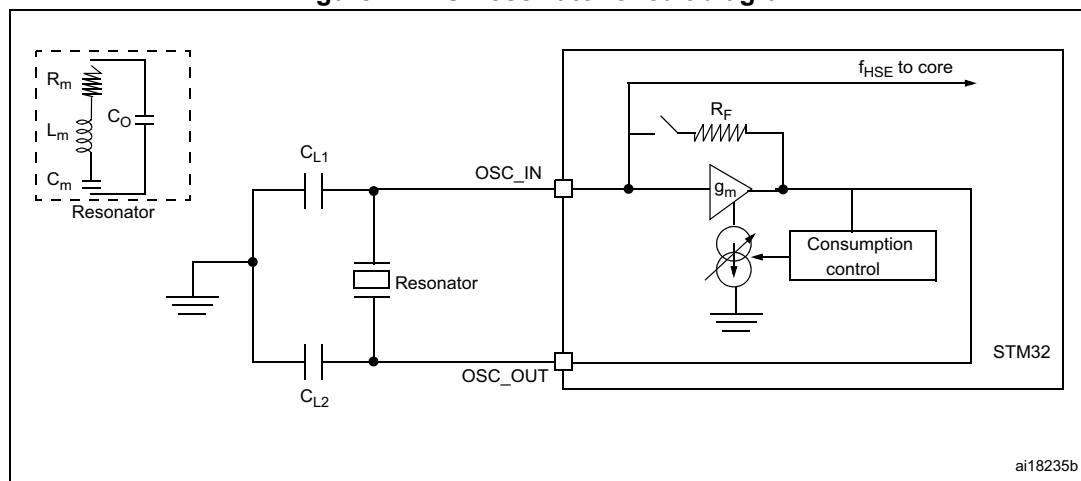
**Table 39. HSE oscillator characteristics<sup>(1)</sup>**

Symbol	Parameter	Conditions	Min	Typ	Max	Unit
$f_{OSC\_IN}$	Oscillator frequency	-	1		25	MHz
$R_F$	Feedback resistor	-	-	200	-	k $\Omega$
$G_m$	Maximum critical crystal transconductance	Startup	-	-	700	$\mu A/V$
$t_{SU(HSE)}^{(2)}$	Startup time	$V_{DD}$ is stabilized	-	2	-	ms

1. Guaranteed by design.
2. Guaranteed by characterization results.  $t_{SU(HSE)}$  is the startup time measured from the moment it is enabled (by software) to a stabilized 8 MHz oscillation is reached. This value is measured for a standard crystal resonator and it can vary significantly with the crystal manufacturer.

For  $C_{L1}$  and  $C_{L2}$ , it is recommended to use high-quality external ceramic capacitors in the 5 pF to 25 pF range (typ.), designed for high-frequency applications, and selected to match the requirements of the crystal or resonator (see [Figure 22](#)).  $C_{L1}$  and  $C_{L2}$  are usually the same size. The crystal manufacturer typically specifies a load capacitance which is the series combination of  $C_{L1}$  and  $C_{L2}$ . PCB and MCU pin capacitance must be included (10 pF can be used as a rough estimate of the combined pin and board capacitance) when sizing  $C_{L1}$  and  $C_{L2}$ . Refer to the application note AN2867 "Oscillator design guide for ST microcontrollers" available from the ST website [www.st.com](http://www.st.com).

**Figure 22. HSE oscillator circuit diagram**



**Low-speed external clock generated from a crystal/ceramic resonator**

The low-speed external (LSE) clock can be supplied with a 32.768 kHz crystal/ceramic resonator oscillator. All the information given in this paragraph are based on characterization results obtained with typical external components specified in [Table 40](#). In the application, the resonator and the load capacitors have to be placed as close as possible to the oscillator pins in order to minimize output distortion and startup stabilization time. Refer to the crystal resonator manufacturer for more details on the resonator characteristics (frequency, package, accuracy).

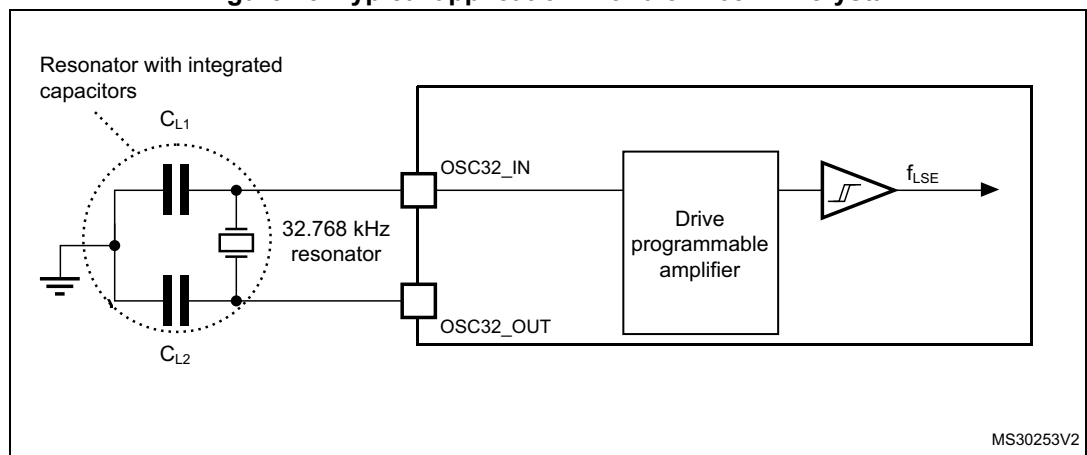
**Table 40. LSE oscillator characteristics<sup>(1)</sup>**

Symbol	Parameter	Conditions <sup>(2)</sup>	Min <sup>(2)</sup>	Typ	Max	Unit
$f_{LSE}$	LSE oscillator frequency		-	32.768	-	kHz
$G_m$	Maximum critical crystal transconductance	LSEDRV[1:0]=00 lower driving capability	-	-	0.5	$\mu A/V$
		LSEDRV[1:0]= 01 medium low driving capability	-	-	0.75	
		LSEDRV[1:0] = 10 medium high driving capability	-	-	1.7	
		LSEDRV[1:0]=11 higher driving capability	-	-	2.7	
$t_{SU(LSE)}$ <sup>(3)</sup>	Startup time	$V_{DD}$ is stabilized	-	2	-	s

1. Guaranteed by design.
2. Refer to the note and caution paragraphs below the table, and to the application note AN2867 "Oscillator design guide for ST microcontrollers".
3. Guaranteed by characterization results.  $t_{SU(LSE)}$  is the startup time measured from the moment it is enabled (by software) to a stabilized 32.768 kHz oscillation is reached. This value is measured for a standard crystal resonator and it can vary significantly with the crystal manufacturer. To increase speed, address a lower-drive quartz with a high- driver mode.

**Note:** For information on selecting the crystal, refer to the application note AN2867 "Oscillator design guide for ST microcontrollers" available from the ST website [www.st.com](http://www.st.com).

**Figure 23. Typical application with a 32.768 kHz crystal**



**Note:** An external resistor is not required between  $OSC32\_IN$  and  $OSC32\_OUT$  and it is forbidden to add one.

### 6.3.7 Internal clock source characteristics

The parameters given in [Table 41](#) are derived from tests performed under ambient temperature and  $V_{DD}$  supply voltage conditions summarized in [Table 20](#).

#### High-speed internal 16 MHz (HSI16) RC oscillator

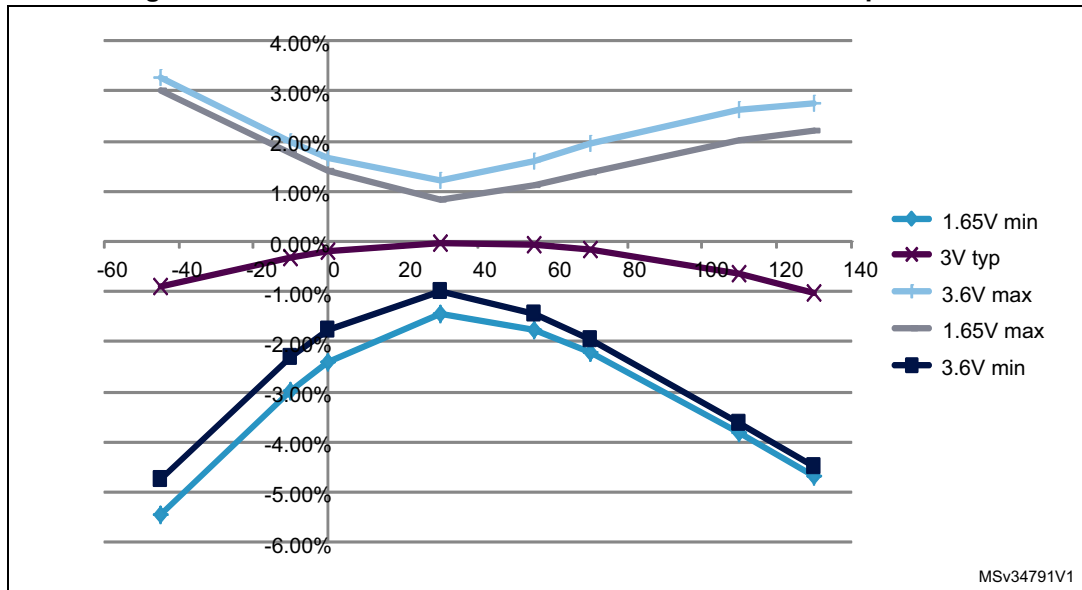
**Table 41. 16 MHz HSI16 oscillator characteristics**

Symbol	Parameter	Conditions	Min	Typ	Max	Unit
$f_{HSI16}$	Frequency	$V_{DD} = 3.0\text{ V}$	-	16	-	MHz
$TRIM^{(1)(2)}$	HSI16 user-trimmed resolution	Trimming code is not a multiple of 16	-	$\pm 0.4$	0.7	%
		Trimming code is a multiple of 16	-	-	$\pm 1.5$	%
$ACC_{HSI16}^{(2)}$	Accuracy of the factory-calibrated HSI16 oscillator	$V_{DDA} = 3.0\text{ V}, T_A = 25\text{ }^\circ\text{C}$	$-1^{(3)}$	-	$1^{(3)}$	%
		$V_{DDA} = 3.0\text{ V}, T_A = 0\text{ to }55\text{ }^\circ\text{C}$	-1.5	-	1.5	%
		$V_{DDA} = 3.0\text{ V}, T_A = -10\text{ to }70\text{ }^\circ\text{C}$	-2	-	2	%
		$V_{DDA} = 3.0\text{ V}, T_A = -10\text{ to }85\text{ }^\circ\text{C}$	-2.5	-	2	%
		$V_{DDA} = 3.0\text{ V}, T_A = -10\text{ to }105\text{ }^\circ\text{C}$	-4	-	2	%
		$V_{DDA} = 1.65\text{ V to }3.6\text{ V}$ $T_A = -40\text{ to }125\text{ }^\circ\text{C}$	-5.45	-	3.25	%
$t_{SU(HSI16)}^{(2)}$	HSI16 oscillator startup time	-	-	3.7	6	$\mu\text{s}$
$I_{DD(HSI16)}^{(2)}$	HSI16 oscillator power consumption	-	-	100	140	$\mu\text{A}$

1. The trimming step differs depending on the trimming code. It is usually negative on the codes which are multiples of 16 (0x00, 0x10, 0x20, 0x30...0xE0).
2. Guaranteed by characterization results.
3. Guaranteed by test in production.



Figure 24. HSI16 minimum and maximum value versus temperature



Low-speed internal (LSI) RC oscillator

Table 42. LSI oscillator characteristics

Symbol	Parameter	Min	Typ	Max	Unit
$f_{LSI}^{(1)}$	LSI frequency	26	38	56	kHz
$D_{LSI}^{(2)}$	LSI oscillator frequency drift $0^{\circ}C \leq T_A \leq 85^{\circ}C$	-10	-	4	%
$t_{su(LSI)}^{(3)}$	LSI oscillator startup time	-	-	200	$\mu s$
$I_{DD(LSI)}^{(3)}$	LSI oscillator power consumption	-	400	510	nA

1. Guaranteed by test in production.
2. This is a deviation for an individual part, once the initial frequency has been measured.
3. Guaranteed by design.

Multi-speed internal (MSI) RC oscillator

Table 43. MSI oscillator characteristics

Symbol	Parameter	Condition	Typ	Max	Unit
$f_{MSI}$	Frequency after factory calibration, done at $V_{DD} = 3.3 V$ and $T_A = 25^{\circ}C$	MSI range 0	65.5	-	kHz
		MSI range 1	131	-	
		MSI range 2	262	-	
		MSI range 3	524	-	MHz
		MSI range 4	1.05	-	
		MSI range 5	2.1	-	
		MSI range 6	4.2	-	
$ACC_{MSI}$	Frequency error after factory calibration	-	$\pm 0.5$	-	%

**Table 43. MSI oscillator characteristics (continued)**

Symbol	Parameter	Condition	Typ	Max	Unit
$D_{TEMP(MSI)}^{(1)}$	MSI oscillator frequency drift $0\text{ }^{\circ}\text{C} \leq T_A \leq 85\text{ }^{\circ}\text{C}$	-	$\pm 3$	-	%
$D_{VOLT(MSI)}^{(1)}$	MSI oscillator frequency drift $1.65\text{ V} \leq V_{DD} \leq 3.6\text{ V}, T_A = 25\text{ }^{\circ}\text{C}$	-	-	2.5	%/V
$I_{DD(MSI)}^{(2)}$	MSI oscillator power consumption	MSI range 0	0.75	-	$\mu\text{A}$
		MSI range 1	1	-	
		MSI range 2	1.5	-	
		MSI range 3	2.5	-	
		MSI range 4	4.5	-	
		MSI range 5	8	-	
		MSI range 6	15	-	
$t_{SU(MSI)}$	MSI oscillator startup time	MSI range 0	30	-	$\mu\text{s}$
		MSI range 1	20	-	
		MSI range 2	15	-	
		MSI range 3	10	-	
		MSI range 4	6	-	
		MSI range 5	5	-	
		MSI range 6, Voltage range 1 and 2	3.5	-	
$t_{STAB(MSI)}^{(2)}$	MSI oscillator stabilization time	MSI range 0	-	40	$\mu\text{s}$
		MSI range 1	-	20	
		MSI range 2	-	10	
		MSI range 3	-	4	
		MSI range 4	-	2.5	
		MSI range 5	-	2	
		MSI range 6, Voltage range 1 and 2	-	2	
		MSI range 3, Voltage range 3	-	3	
$f_{OVER(MSI)}$	MSI oscillator frequency overshoot	Any range to range 5	-	4	MHz
		Any range to range 6	-	6	

1. This is a deviation for an individual part, once the initial frequency has been measured.
2. Guaranteed by characterization results.

### 6.3.8 PLL characteristics

The parameters given in [Table 44](#) are derived from tests performed under ambient temperature and  $V_{DD}$  supply voltage conditions summarized in [Table 20](#).

**Table 44. PLL characteristics**

Symbol	Parameter	Value			Unit
		Min	Typ	Max <sup>(1)</sup>	
f <sub>PLL_IN</sub>	PLL input clock <sup>(2)</sup>	2	-	24	MHz
	PLL input clock duty cycle	45	-	55	%
f <sub>PLL_OUT</sub>	PLL output clock	2	-	32	MHz
t <sub>LOCK</sub>	PLL input = 16 MHz PLL VCO = 96 MHz	-	115	160	μs
Jitter	Cycle-to-cycle jitter	-		± 600	ps
I <sub>DDA</sub> (PLL)	Current consumption on V <sub>DDA</sub>	-	220	450	μA
I <sub>DD</sub> (PLL)	Current consumption on V <sub>DD</sub>	-	120	150	

1. Guaranteed by characterization results.
2. Take care of using the appropriate multiplier factors so as to have PLL input clock values compatible with the range defined by f<sub>PLL\_OUT</sub>.

### 6.3.9 Memory characteristics

#### RAM memory

**Table 45. RAM and hardware registers**

Symbol	Parameter	Conditions	Min	Typ	Max	Unit
VRM	Data retention mode <sup>(1)</sup>	STOP mode (or RESET)	1.65	-	-	V

1. Minimum supply voltage without losing data stored in RAM (in Stop mode or under Reset) or in hardware registers (only in Stop mode).

#### Flash memory and data EEPROM

**Table 46. Flash memory and data EEPROM characteristics**

Symbol	Parameter	Conditions	Min	Typ	Max <sup>(1)</sup>	Unit
V <sub>DD</sub>	Operating voltage Read / Write / Erase	-	1.65	-	3.6	V
t <sub>prog</sub>	Programming time for word or half-page	Erasing	-	3.28	3.94	ms
		Programming	-	3.28	3.94	

**Table 46. Flash memory and data EEPROM characteristics**

Symbol	Parameter	Conditions	Min	Typ	Max <sup>(1)</sup>	Unit
I <sub>DD</sub>	Average current during the whole programming / erase operation	T <sub>A</sub> = 25 °C, V <sub>DD</sub> = 3.6 V	-	500	700	μA
	Maximum current (peak) during the whole programming / erase operation		-	1.5	2.5	mA

1. Guaranteed by design.

**Table 47. Flash memory and data EEPROM endurance and retention**

Symbol	Parameter	Conditions	Value	Unit
			Min <sup>(1)</sup>	
N <sub>CYC</sub> <sup>(2)</sup>	Cycling (erase / write) Program memory	T <sub>A</sub> = -40°C to 105 °C	10	kcycles
	Cycling (erase / write) EEPROM data memory		100	
	Cycling (erase / write) Program memory	T <sub>A</sub> = -40°C to 125 °C	0.2	
	Cycling (erase / write) EEPROM data memory		2	
t <sub>RET</sub> <sup>(2)</sup>	Data retention (program memory) after 10 kcycles at T <sub>A</sub> = 85 °C	T <sub>RET</sub> = +85 °C	30	years
	Data retention (EEPROM data memory) after 100 kcycles at T <sub>A</sub> = 85 °C		30	
	Data retention (program memory) after 10 kcycles at T <sub>A</sub> = 105 °C	T <sub>RET</sub> = +105 °C	10	
	Data retention (EEPROM data memory) after 100 kcycles at T <sub>A</sub> = 105 °C			
	Data retention (program memory) after 200 cycles at T <sub>A</sub> = 125 °C	T <sub>RET</sub> = +125 °C	10	
	Data retention (EEPROM data memory) after 2 kcycles at T <sub>A</sub> = 125 °C			

1. Guaranteed by characterization results.

2. Characterization is done according to JEDEC JESD22-A117.

### 6.3.10 EMC characteristics

Susceptibility tests are performed on a sample basis during device characterization.

#### Functional EMS (electromagnetic susceptibility)

While a simple application is executed on the device (toggling 2 LEDs through I/O ports), the device is stressed by two electromagnetic events until a failure occurs. The failure is indicated by the LEDs:

- **Electrostatic discharge (ESD)** (positive and negative) is applied to all device pins until a functional disturbance occurs. This test is compliant with the IEC 61000-4-2 standard.
- **FTB: A Burst of Fast Transient voltage** (positive and negative) is applied to  $V_{DD}$  and  $V_{SS}$  through a 100 pF capacitor, until a functional disturbance occurs. This test is compliant with the IEC 61000-4-4 standard.

A device reset allows normal operations to be resumed.

The test results are given in [Table 48](#). They are based on the EMS levels and classes defined in application note AN1709.

**Table 48. EMS characteristics**

Symbol	Parameter	Conditions	Level/Class
$V_{FESD}$	Voltage limits to be applied on any I/O pin to induce a functional disturbance	$V_{DD} = 3.3\text{ V}$ , LQFP48, $T_A = +25\text{ °C}$ , $f_{HCLK} = 32\text{ MHz}$ conforms to IEC 61000-4-2	3B
$V_{EFTB}$	Fast transient voltage burst limits to be applied through 100 pF on $V_{DD}$ and $V_{SS}$ pins to induce a functional disturbance	$V_{DD} = 3.3\text{ V}$ , LQFP48, $T_A = +25\text{ °C}$ , $f_{HCLK} = 32\text{ MHz}$ conforms to IEC 61000-4-4	4A

#### Designing hardened software to avoid noise problems

EMC characterization and optimization are performed at component level with a typical application environment and simplified MCU software. Please note that good EMC performance is highly dependent on the user application and the software in particular.

Therefore it is recommended that the user applies EMC software optimization and prequalification tests in relation with the EMC level requested for his application.

Software recommendations

The software flowchart must include the management of runaway conditions such as:

- Corrupted program counter
- Unexpected reset
- Critical data corruption (control registers...)

Prequalification trials

Most of the common failures (unexpected reset and program counter corruption) can be reproduced by manually forcing a low state on the NRST pin or the oscillator pins for 1 second.

To complete these trials, ESD stress can be applied directly on the device, over the range of specification values. When unexpected behavior is detected, the software can be hardened to prevent unrecoverable errors occurring (see application note AN1015).

**Electromagnetic Interference (EMI)**

The electromagnetic field emitted by the device are monitored while a simple application is executed (toggling 2 LEDs through the I/O ports). This emission test is compliant with IEC 61967-2 standard which specifies the test board and the pin loading.

**Table 49. EMI characteristics**

Symbol	Parameter	Conditions	Monitored frequency band	Max vs. $f_{osc}/f_{CPU}$	Unit
				8 MHz/32 MHz	
S <sub>EMI</sub>	Peak level	V <sub>DD</sub> = 3.6 V, T <sub>A</sub> = 25 °C, LQFP48 package conforming to IEC61967-2	0.1 to 30 MHz	-10	dBµV
			30 to 130 MHz	5	
			130 MHz to 1GHz	-5	
			EMI Level	1.5	-

**6.3.11 Electrical sensitivity characteristics**

Based on three different tests (ESD, LU) using specific measurement methods, the device is stressed in order to determine its performance in terms of electrical sensitivity.

**Electrostatic discharge (ESD)**

Electrostatic discharges (a positive then a negative pulse separated by 1 second) are applied to the pins of each sample according to each pin combination. The sample size depends on the number of supply pins in the device (3 parts × (n+1) supply pins). This test conforms to the ANSI/JEDEC standard.

**Table 50. ESD absolute maximum ratings**

Symbol	Ratings	Conditions	Class	Maximum value <sup>(1)</sup>	Unit
V <sub>ESD(HBM)</sub>	Electrostatic discharge voltage (human body model)	T <sub>A</sub> = +25 °C, conforming to ANSI/JEDEC JS-001	2	2000	V
V <sub>ESD(CDM)</sub>	Electrostatic discharge voltage (charge device model)	T <sub>A</sub> = +25 °C, conforming to ANSI/ESD STM5.3.1.	C4	500	

1. Guaranteed by characterization results.

**Static latch-up**

Two complementary static tests are required on six parts to assess the latch-up performance:

- A supply overvoltage is applied to each power supply pin
- A current injection is applied to each input, output and configurable I/O pin

These tests are compliant with EIA/JESD 78A IC latch-up standard.

**Table 51. Electrical sensitivities**

Symbol	Parameter	Conditions	Class
LU	Static latch-up class	T <sub>A</sub> = +125 °C conforming to JESD78A	II level A

**6.3.12 I/O current injection characteristics**

As a general rule, current injection to the I/O pins, due to external voltage below V<sub>SS</sub> or above V<sub>DD</sub> (for standard pins) must be avoided during normal product operation. However, in order to give an indication of the robustness of the microcontroller in cases when abnormal injection accidentally happens, susceptibility tests are performed on a sample basis during device characterization.

**Functional susceptibility to I/O current injection**

While a simple application is executed on the device, the device is stressed by injecting current into the I/O pins programmed in floating input mode. While current is injected into the I/O pin, one at a time, the device is checked for functional failures.

The failure is indicated by an out of range parameter: ADC error above a certain limit (higher than 5 LSB TUE), out of conventional limits of induced leakage current on adjacent pins (out of -5 µA/+0 µA range), or other functional failure (for example reset occurrence oscillator frequency deviation).

The test results are given in the [Table 52](#).

**Table 52. I/O current injection susceptibility**

Symbol	Description	Functional susceptibility		Unit
		Negative injection	Positive injection	
I <sub>INJ</sub>	Injected current on BOOT0	-0	NA <sup>(1)</sup>	mA
	Injected current on PA0, PA2, PA4, PA5, PC15, PH0 and PH1	-5	0	
	Injected current on any other FT and FTf pin	-5 <sup>(2)</sup>	NA <sup>(1)</sup>	
	Injected current on any other pin	-5 <sup>(2)</sup>	+5	

1. Current injection is not possible.
2. It is recommended to add a Schottky diode (pin to ground) to analog pins which may potentially inject negative currents.

### 6.3.13 I/O port characteristics

#### General input/output characteristics

Unless otherwise specified, the parameters given in [Table 53](#) are derived from tests performed under the conditions summarized in [Table 20](#). All I/Os are CMOS and TTL compliant.

**Table 53. I/O static characteristics**

Symbol	Parameter	Conditions	Min	Typ	Max	Unit
V <sub>IL</sub>	Input low level voltage	TC, FT, FTf, RST I/Os	-	-	0.3V <sub>DD</sub>	V
		BOOT0 pin	-	-	0.14V <sub>DD</sub> <sup>(1)</sup>	
V <sub>IH</sub>	Input high level voltage	All I/Os	0.7 V <sub>DD</sub>	-	-	
V <sub>hys</sub>	I/O Schmitt trigger voltage hysteresis <sup>(2)</sup>	Standard I/Os	-	10% V <sub>DD</sub> <sup>(3)</sup>	-	nA
		BOOT0 pin	-	0.01	-	
I <sub>lkg</sub>	Input leakage current <sup>(4)</sup>	V <sub>SS</sub> ≤ V <sub>IN</sub> ≤ V <sub>DD</sub> All I/Os except PA11, PA12, BOOT0 and FTf I/Os	-	-	±50	nA
		V <sub>SS</sub> ≤ V <sub>IN</sub> ≤ V <sub>DD</sub> PA11 and P12 I/Os	-	-	-50/+250	
		V <sub>SS</sub> ≤ V <sub>IN</sub> ≤ V <sub>DD</sub> FTf I/Os	-	-	±100	
		V <sub>DD</sub> ≤ V <sub>IN</sub> ≤ 5 V All I/Os except for PA11, PA12, BOOT0 and FTf I/Os	-	-	200	
		V <sub>DD</sub> ≤ V <sub>IN</sub> ≤ 5 V FTf I/Os	-	-	500	
		V <sub>DD</sub> ≤ V <sub>IN</sub> ≤ 5 V PA11, PA12 and BOOT0	-	-	10	μA
R <sub>PU</sub>	Weak pull-up equivalent resistor <sup>(5)</sup>	V <sub>IN</sub> = V <sub>SS</sub>	25	45	65	kΩ
R <sub>PD</sub>	Weak pull-down equivalent resistor <sup>(5)</sup>	V <sub>IN</sub> = V <sub>DD</sub>	25	45	65	kΩ
C <sub>IO</sub>	I/O pin capacitance	-	-	5	-	pF

1. Guaranteed by characterization.
2. Hysteresis voltage between Schmitt trigger switching levels. Guaranteed by characterization results.
3. With a minimum of 200 mV. Guaranteed by characterization results.
4. The max. value may be exceeded if negative current is injected on adjacent pins.
5. Pull-up and pull-down resistors are designed with a true resistance in series with a switchable PMOS/NMOS. This MOS/NMOS contribution to the series resistance is minimum (~10% order).



Figure 25.  $V_{IH}/V_{IL}$  versus  $V_{DD}$  (CMOS I/Os)

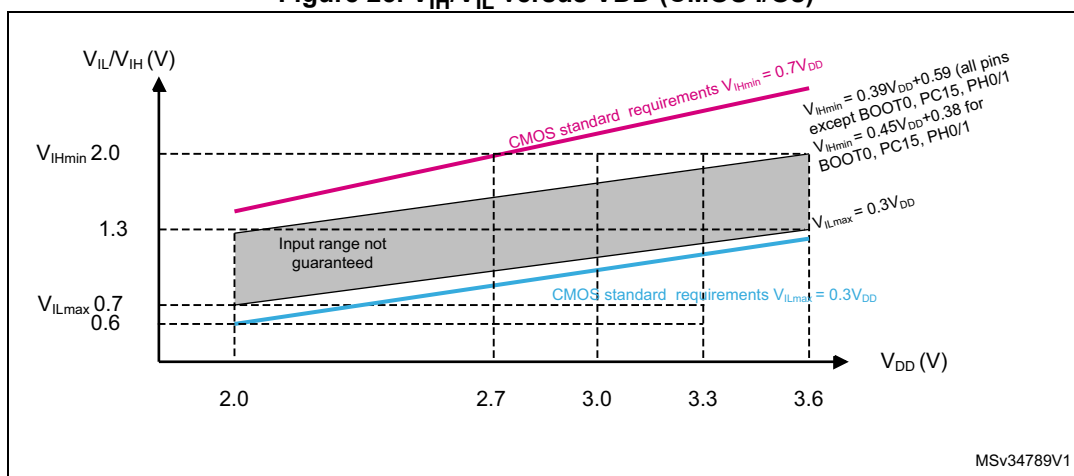
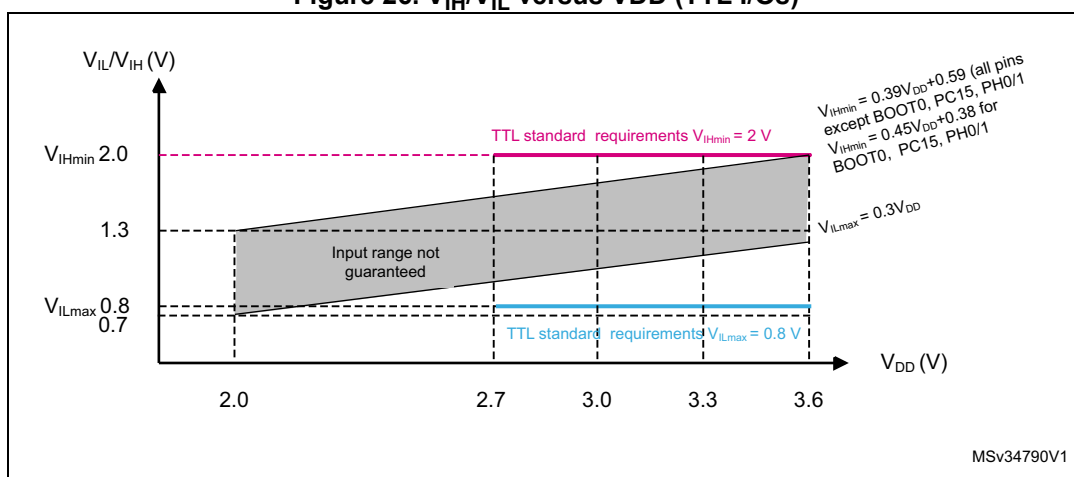


Figure 26.  $V_{IH}/V_{IL}$  versus  $V_{DD}$  (TTL I/Os)



### Output driving current

The GPIOs (general purpose input/outputs) can sink or source up to  $\pm 8$  mA, and sink or source up to  $\pm 15$  mA with the non-standard  $V_{OL}/V_{OH}$  specifications given in [Table 54](#).

In the user application, the number of I/O pins which can drive current must be limited to respect the absolute maximum rating specified in [Section 6.2](#):

- The sum of the currents sourced by all the I/Os on  $V_{DD}$ , plus the maximum Run consumption of the MCU sourced on  $V_{DD}$ , cannot exceed the absolute maximum rating  $I_{VDD(\Sigma)}$  (see [Table 18](#)).
- The sum of the currents sunk by all the I/Os on  $V_{SS}$  plus the maximum Run consumption of the MCU sunk on  $V_{SS}$  cannot exceed the absolute maximum rating  $I_{VSS(\Sigma)}$  (see [Table 18](#)).

**Output voltage levels**

Unless otherwise specified, the parameters given in [Table 54](#) are derived from tests performed under ambient temperature and  $V_{DD}$  supply voltage conditions summarized in [Table 20](#). All I/Os are CMOS and TTL compliant.

**Table 54. Output voltage characteristics**

Symbol	Parameter	Conditions	Min	Max	Unit
$V_{OL}^{(1)}$	Output low level voltage for an I/O pin	CMOS port <sup>(2)</sup> , $I_{IO} = +8 \text{ mA}$ $2.7 \text{ V} \leq V_{DD} \leq 3.6 \text{ V}$	-	0.4	V
$V_{OH}^{(3)}$	Output high level voltage for an I/O pin		$V_{DD}-0.4$	-	
$V_{OL}^{(1)}$	Output low level voltage for an I/O pin	TTL port <sup>(2)</sup> , $I_{IO} = +8 \text{ mA}$ $2.7 \text{ V} \leq V_{DD} \leq 3.6 \text{ V}$	-	0.4	
$V_{OH}^{(3)(4)}$	Output high level voltage for an I/O pin	TTL port <sup>(2)</sup> , $I_{IO} = -6 \text{ mA}$ $2.7 \text{ V} \leq V_{DD} \leq 3.6 \text{ V}$	2.4	-	
$V_{OL}^{(1)(4)}$	Output low level voltage for an I/O pin	$I_{IO} = +15 \text{ mA}$ $2.7 \text{ V} \leq V_{DD} \leq 3.6 \text{ V}$	-	1.3	
$V_{OH}^{(3)(4)}$	Output high level voltage for an I/O pin	$I_{IO} = -15 \text{ mA}$ $2.7 \text{ V} \leq V_{DD} \leq 3.6 \text{ V}$	$V_{DD}-1.3$	-	
$V_{OL}^{(1)(4)}$	Output low level voltage for an I/O pin	$I_{IO} = +4 \text{ mA}$ $1.65 \text{ V} \leq V_{DD} < 3.6 \text{ V}$	-	0.45	
$V_{OH}^{(3)(4)}$	Output high level voltage for an I/O pin	$I_{IO} = -4 \text{ mA}$ $1.65 \text{ V} \leq V_{DD} \leq 3.6 \text{ V}$	$V_{DD}-0.45$	-	
$V_{OLFM+}^{(1)(4)}$	Output low level voltage for an FTf I/O pin in Fm+ mode	$I_{IO} = 20 \text{ mA}$ $2.7 \text{ V} \leq V_{DD} \leq 3.6 \text{ V}$	-	0.4	
		$I_{IO} = 10 \text{ mA}$ $1.65 \text{ V} \leq V_{DD} \leq 3.6 \text{ V}$	-	0.4	

1. The  $I_{IO}$  current sunk by the device must always respect the absolute maximum rating specified in [Table 18](#). The sum of the currents sunk by all the I/Os (I/O ports and control pins) must always be respected and must not exceed  $\Sigma I_{IO(PIN)}$ .
2. TTL and CMOS outputs are compatible with JEDEC standards JESD36 and JESD52.
3. The  $I_{IO}$  current sourced by the device must always respect the absolute maximum rating specified in [Table 18](#). The sum of the currents sourced by all the I/Os (I/O ports and control pins) must always be respected and must not exceed  $\Sigma I_{IO(PIN)}$ .
4. Guaranteed by characterization results.

### Input/output AC characteristics

The definition and values of input/output AC characteristics are given in [Figure 27](#) and [Table 55](#), respectively.

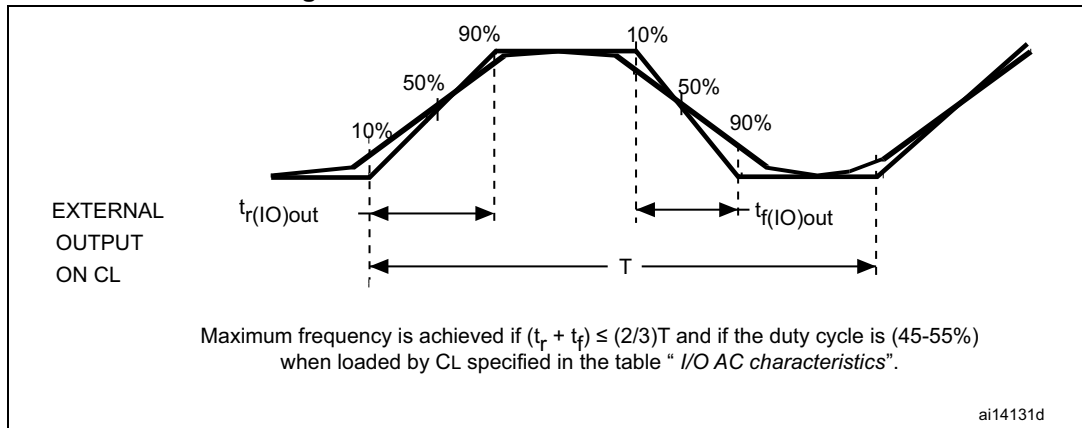
Unless otherwise specified, the parameters given in [Table 55](#) are derived from tests performed under ambient temperature and  $V_{DD}$  supply voltage conditions summarized in [Table 20](#).

**Table 55. I/O AC characteristics<sup>(1)</sup>**

OSPEEDRx [1:0] bit value <sup>(1)</sup>	Symbol	Parameter	Conditions	Min	Max <sup>(2)</sup>	Unit
00	$f_{\max(\text{IO})\text{out}}$	Maximum frequency <sup>(3)</sup>	$C_L = 50 \text{ pF}, V_{DD} = 2.7 \text{ V to } 3.6 \text{ V}$	-	400	kHz
			$C_L = 50 \text{ pF}, V_{DD} = 1.65 \text{ V to } 2.7 \text{ V}$	-	100	
	$t_{f(\text{IO})\text{out}}$ $t_{r(\text{IO})\text{out}}$	Output rise and fall time	$C_L = 50 \text{ pF}, V_{DD} = 2.7 \text{ V to } 3.6 \text{ V}$	-	125	ns
			$C_L = 50 \text{ pF}, V_{DD} = 1.65 \text{ V to } 2.7 \text{ V}$	-	320	
01	$f_{\max(\text{IO})\text{out}}$	Maximum frequency <sup>(3)</sup>	$C_L = 50 \text{ pF}, V_{DD} = 2.7 \text{ V to } 3.6 \text{ V}$	-	2	MHz
			$C_L = 50 \text{ pF}, V_{DD} = 1.65 \text{ V to } 2.7 \text{ V}$	-	0.6	
	$t_{f(\text{IO})\text{out}}$ $t_{r(\text{IO})\text{out}}$	Output rise and fall time	$C_L = 50 \text{ pF}, V_{DD} = 2.7 \text{ V to } 3.6 \text{ V}$	-	30	ns
			$C_L = 50 \text{ pF}, V_{DD} = 1.65 \text{ V to } 2.7 \text{ V}$	-	65	
10	$F_{\max(\text{IO})\text{out}}$	Maximum frequency <sup>(3)</sup>	$C_L = 50 \text{ pF}, V_{DD} = 2.7 \text{ V to } 3.6 \text{ V}$	-	10	MHz
			$C_L = 50 \text{ pF}, V_{DD} = 1.65 \text{ V to } 2.7 \text{ V}$	-	2	
	$t_{f(\text{IO})\text{out}}$ $t_{r(\text{IO})\text{out}}$	Output rise and fall time	$C_L = 50 \text{ pF}, V_{DD} = 2.7 \text{ V to } 3.6 \text{ V}$	-	13	ns
			$C_L = 50 \text{ pF}, V_{DD} = 1.65 \text{ V to } 2.7 \text{ V}$	-	28	
11	$F_{\max(\text{IO})\text{out}}$	Maximum frequency <sup>(3)</sup>	$C_L = 30 \text{ pF}, V_{DD} = 2.7 \text{ V to } 3.6 \text{ V}$	-	35	MHz
			$C_L = 50 \text{ pF}, V_{DD} = 1.65 \text{ V to } 2.7 \text{ V}$	-	10	
	$t_{f(\text{IO})\text{out}}$ $t_{r(\text{IO})\text{out}}$	Output rise and fall time	$C_L = 30 \text{ pF}, V_{DD} = 2.7 \text{ V to } 3.6 \text{ V}$	-	6	ns
			$C_L = 50 \text{ pF}, V_{DD} = 1.65 \text{ V to } 2.7 \text{ V}$	-	17	
Fm+ configuration <sup>(4)</sup>	$f_{\max(\text{IO})\text{out}}$	Maximum frequency <sup>(3)</sup>	$C_L = 50 \text{ pF}, V_{DD} = 2.5 \text{ V to } 3.6 \text{ V}$	-	1	MHz
	$t_{f(\text{IO})\text{out}}$	Output fall time		-	10	ns
	$t_{r(\text{IO})\text{out}}$	Output rise time		-	30	
	$f_{\max(\text{IO})\text{out}}$	Maximum frequency <sup>(3)</sup>	$C_L = 50 \text{ pF}, V_{DD} = 1.65 \text{ V to } 3.6 \text{ V}$	-	350	KHz
	$t_{f(\text{IO})\text{out}}$	Output fall time		-	15	ns
	$t_{r(\text{IO})\text{out}}$	Output rise time		-	60	
-	$t_{\text{EXTI}pw}$	Pulse width of external signals detected by the EXTI controller	-	8	-	ns

1. The I/O speed is configured using the OSPEEDRx[1:0] bits. Refer to the line reference manual for a description of GPIO Port configuration register.
2. Guaranteed by design.
3. The maximum frequency is defined in [Figure 27](#).
4. When Fm+ configuration is set, the I/O speed control is bypassed. Refer to the line reference manual for a detailed description of Fm+ I/O configuration.

Figure 27. I/O AC characteristics definition



### 6.3.14 NRST pin characteristics

The NRST pin input driver uses CMOS technology. It is connected to a permanent pull-up resistor,  $R_{PU}$ , except when it is internally driven low (see [Table 56](#)).

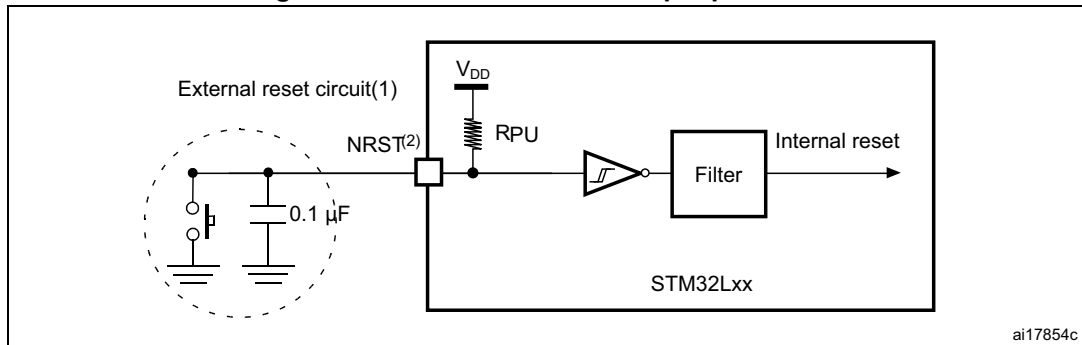
Unless otherwise specified, the parameters given in [Table 56](#) are derived from tests performed under ambient temperature and  $V_{DD}$  supply voltage conditions summarized in [Table 20](#).

Table 56. NRST pin characteristics

Symbol	Parameter	Conditions	Min	Typ	Max	Unit
$V_{IL(NRST)}^{(1)}$	NRST input low level voltage	-	$V_{SS}$	-	0.8	V
$V_{IH(NRST)}^{(1)}$	NRST input high level voltage	-	1.4	-	$V_{DD}$	
$V_{OL(NRST)}^{(1)}$	NRST output low level voltage	$I_{OL} = 2\text{ mA}$ $2.7\text{ V} < V_{DD} < 3.6\text{ V}$	-	-	0.4	
		$I_{OL} = 1.5\text{ mA}$ $1.65\text{ V} < V_{DD} < 2.7\text{ V}$	-	-		
$V_{hys(NRST)}^{(1)}$	NRST Schmitt trigger voltage hysteresis	-	-	$10\%V_{DD}^{(2)}$	-	mV
$R_{PU}$	Weak pull-up equivalent resistor <sup>(3)</sup>	$V_{IN} = V_{SS}$	25	45	65	k $\Omega$
$V_{F(NRST)}^{(1)}$	NRST input filtered pulse	-	-	-	50	ns
$V_{NF(NRST)}^{(1)}$	NRST input not filtered pulse	-	350	-	-	ns

1. Guaranteed by design.
2. 200 mV minimum value
3. The pull-up is designed with a true resistance in series with a switchable PMOS. This PMOS contribution to the series resistance is around 10%.

Figure 28. Recommended NRST pin protection



1. The reset network protects the device against parasitic resets.
2. The external capacitor must be placed as close as possible to the device.
3. The user must ensure that the level on the NRST pin can go below the  $V_{IL(NRST)}$  max level specified in [Table 56](#). Otherwise the reset will not be taken into account by the device.

### 6.3.15 12-bit ADC characteristics

Unless otherwise specified, the parameters given in [Table 57](#) are values derived from tests performed under ambient temperature,  $f_{PCLK}$  frequency and  $V_{DDA}$  supply voltage conditions summarized in [Table 20: General operating conditions](#).

*Note:* It is recommended to perform a calibration after each power-up.

Table 57. ADC characteristics

Symbol	Parameter	Conditions	Min	Typ	Max	Unit
$V_{DDA}$	Analog supply voltage for ADC on	Fast channel	1.65	-	3.6	V
		Standard channel	1.75 <sup>(1)</sup>	-	3.6	
$I_{DDA}$ (ADC)	Current consumption of the ADC on $V_{DDA}$	1.14 Msps	-	200	-	$\mu A$
		10 ksps	-	40	-	
	Current consumption of the ADC on $V_{DD}$ <sup>(2)</sup>	1.14 Msps	-	70	-	
		10 ksps	-	1	-	
$f_{ADC}$	ADC clock frequency	Voltage scaling Range 1	0.14	-	16	MHz
		Voltage scaling Range 2	0.14	-	8	
		Voltage scaling Range 3	0.14	-	4	
$f_S$ <sup>(3)</sup>	Sampling rate		0.05	-	1.14	MHz
$f_{TRIG}$ <sup>(3)</sup>	External trigger frequency	$f_{ADC} = 16$ MHz	-	-	941	kHz
			-	-	17	$1/f_{ADC}$
$V_{AIN}$	Conversion voltage range		0	-	$V_{DDA}$	V
$R_{AIN}$ <sup>(3)</sup>	External input impedance	See <a href="#">Equation 1</a> and <a href="#">Table 58</a> for details	-	-	50	k $\Omega$
$R_{ADC}$ <sup>(3)(4)</sup>	Sampling switch resistance		-	-	1	k $\Omega$
$C_{ADC}$ <sup>(3)</sup>	Internal sample and hold capacitor		-	-	8	pF

Table 57. ADC characteristics (continued)

Symbol	Parameter	Conditions	Min	Typ	Max	Unit
t <sub>CAL</sub> <sup>(3)</sup>	Calibration time	f <sub>ADC</sub> = 16 MHz	5.2			µs
			83			1/f <sub>ADC</sub>
W <sub>LATENCY</sub>	ADC_DR register write latency	ADC clock = HSI16	1.5 ADC cycles + 2 f <sub>PCLK</sub> cycles	-	1.5 ADC cycles + 3 f <sub>PCLK</sub> cycles	-
		ADC clock = PCLK/2	-	4.5	-	f <sub>PCLK</sub> cycle
		ADC clock = PCLK/4	-	8.5	-	f <sub>PCLK</sub> cycle
t <sub>latr</sub> <sup>(3)</sup>	Trigger conversion latency	f <sub>ADC</sub> = f <sub>PCLK</sub> /2 = 16 MHz	0.266			µs
		f <sub>ADC</sub> = f <sub>PCLK</sub> /2	8.5			1/f <sub>PCLK</sub>
		f <sub>ADC</sub> = f <sub>PCLK</sub> /4 = 8 MHz	0.516			µs
		f <sub>ADC</sub> = f <sub>PCLK</sub> /4	16.5			1/f <sub>PCLK</sub>
		f <sub>ADC</sub> = f <sub>HSI16</sub> = 16 MHz	0.252	-	0.260	µs
Jitter <sub>ADC</sub>	ADC jitter on trigger conversion	f <sub>ADC</sub> = f <sub>HSI16</sub>	-	1	-	1/f <sub>HSI16</sub>
t <sub>S</sub> <sup>(3)</sup>	Sampling time	f <sub>ADC</sub> = 16 MHz	0.093	-	10.03	µs
			1.5	-	239.5	1/f <sub>ADC</sub>
t <sub>STAB</sub> <sup>(3)</sup>	Power-up time		0	0	1	µs
t <sub>ConV</sub> <sup>(3)</sup>	Total conversion time (including sampling time)	f <sub>ADC</sub> = 16 MHz	0.875		10.81	µs
			14 to 173 (t <sub>S</sub> for sampling + 12.5 for successive approximation)			1/f <sub>ADC</sub>

1. V<sub>DDA</sub> minimum value can be decreased in specific temperature conditions. Refer to [Table 58: RAIN max for fADC = 16 MHz](#).
2. A current consumption proportional to the APB clock frequency has to be added (see [Table 34: Peripheral current consumption in Run or Sleep mode](#)).
3. Guaranteed by design.
4. Standard channels have an extra protection resistance which depends on supply voltage. Refer to [Table 58: RAIN max for fADC = 16 MHz](#).

**Equation 1: R<sub>AIN</sub> max formula**

$$R_{AIN} < \frac{T_S}{f_{ADC} \times C_{ADC} \times \ln(2^{N+2})} - R_{ADC}$$

The formula above ([Equation 1](#)) is used to determine the maximum external impedance allowed for an error below 1/4 of LSB. Here N = 12 (from 12-bit resolution).

Table 58.  $R_{AIN}$  max for  $f_{ADC} = 16 \text{ MHz}^{(1)}$

$T_s$ (cycles)	$t_s$ ( $\mu\text{s}$ )	$R_{AIN}$ max for fast channels ( $k\Omega$ )	$R_{AIN}$ max for standard channels ( $k\Omega$ )						
			$V_{DD} > 2.7 \text{ V}$	$V_{DD} > 2.4 \text{ V}$	$V_{DD} > 2.0 \text{ V}$	$V_{DD} > 1.8 \text{ V}$	$V_{DD} > 1.75 \text{ V}$	$V_{DD} > 1.65 \text{ V}$ and $T_A > -10 \text{ }^\circ\text{C}$	$V_{DD} > 1.65 \text{ V}$ and $T_A > 25 \text{ }^\circ\text{C}$
1.5	0.09	0.5	< 0.1	NA	NA	NA	NA	NA	NA
3.5	0.22	1	0.2	< 0.1	NA	NA	NA	NA	NA
7.5	0.47	2.5	1.7	1.5	< 0.1	NA	NA	NA	NA
12.5	0.78	4	3.2	3	1	NA	NA	NA	NA
19.5	1.22	6.5	5.7	5.5	3.5	NA	NA	NA	< 0.1
39.5	2.47	13	12.2	12	10	NA	NA	NA	5
79.5	4.97	27	26.2	26	24	< 0.1	NA	NA	19
160.5	10.03	50	49.2	49	47	32	< 0.1	< 0.1	42

1. Guaranteed by design.

Table 59. ADC accuracy<sup>(1)(2)(3)</sup>

Symbol	Parameter	Conditions	Min	Typ	Max	Unit
ET	Total unadjusted error	$1.65 \text{ V} < V_{DDA} < 3.6 \text{ V}$ , range 1/2/3	-	2	4	LSB
EO	Offset error		-	1	2.5	
EG	Gain error		-	1	2	
EL	Integral linearity error		-	1.5	2.5	
ED	Differential linearity error		-	1	1.5	
ENOB	Effective number of bits		10.2	11		bits
	Effective number of bits (16-bit mode oversampling with ratio =256) <sup>(4)</sup>		11.3	12.1	-	
SINAD	Signal-to-noise distortion		63	69	-	dB
SNR	Signal-to-noise ratio		63	69	-	
	Signal-to-noise ratio (16-bit mode oversampling with ratio =256) <sup>(4)</sup>		70	76	-	
THD	Total harmonic distortion	-	-85	-73		

- ADC DC accuracy values are measured after internal calibration.
- ADC Accuracy vs. Negative Injection Current: Injecting negative current on any of the standard (non-robust) analog input pins must be avoided as this significantly reduces the accuracy of the conversion being performed on another analog input. It is recommended to add a Schottky diode (pin to ground) to standard analog pins which may potentially inject negative current. Any positive injection current within the limits specified for  $I_{INJ(PIN)}$  and  $\Sigma I_{INJ(PIN)}$  in [Section 6.3.12](#) does not affect the ADC accuracy.
- Better performance may be achieved in restricted  $V_{DDA}$ , frequency and temperature ranges.
- This number is obtained by the test board without additional noise, resulting in non-optimized value for oversampling mode.

Figure 29. ADC accuracy characteristics

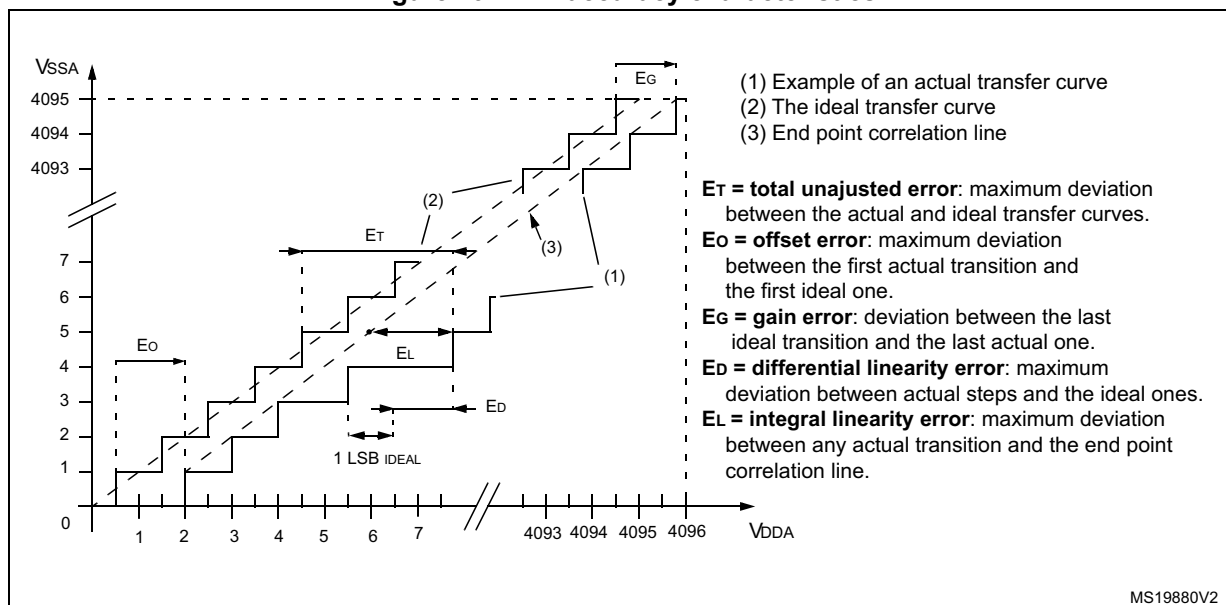
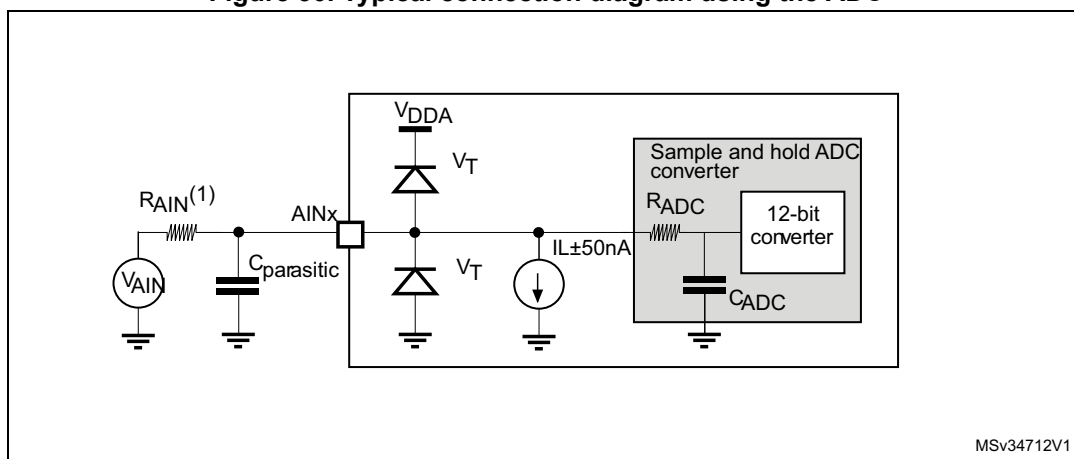


Figure 30. Typical connection diagram using the ADC



1. Refer to [Table 57: ADC characteristics](#) for the values of  $R_{AIN}$ ,  $R_{ADC}$  and  $C_{ADC}$ .
2.  $C_{parasitic}$  represents the capacitance of the PCB (dependent on soldering and PCB layout quality) plus the pad capacitance (roughly 7 pF). A high  $C_{parasitic}$  value will downgrade conversion accuracy. To remedy this,  $f_{ADC}$  must be reduced.

### 6.3.16 Temperature sensor characteristics

Table 60. Temperature sensor calibration values

Calibration value name	Description	Memory address
TS_CAL1	TS ADC raw data acquired at temperature of 30 °C, $V_{DDA} = 3\text{ V}$	0x1FF8 007A - 0x1FF8 007B
TS_CAL2	TS ADC raw data acquired at temperature of 130 °C $V_{DDA} = 3\text{ V}$	0x1FF8 007E - 0x1FF8 007F



Table 61. Temperature sensor characteristics

Symbol	Parameter	Min	Typ	Max	Unit
$T_L^{(1)}$	$V_{SENSE}$ linearity with temperature	-	$\pm 1$	$\pm 2$	$^{\circ}\text{C}$
Avg_Slope <sup>(1)</sup>	Average slope	1.48	1.61	1.75	mV/ $^{\circ}\text{C}$
$V_{130}$	Voltage at 130 $^{\circ}\text{C} \pm 5^{\circ}\text{C}^{(2)}$	640	670	700	mV
$I_{DDA(TEMP)}^{(3)}$	Current consumption	-	3.4	6	$\mu\text{A}$
$t_{START}^{(3)}$	Startup time	-	-	10	$\mu\text{s}$
$T_{S\_temp}^{(4)(3)}$	ADC sampling time when reading the temperature	10	-	-	

1. Guaranteed by characterization results.
2. Measured at  $V_{DD} = 3\text{ V} \pm 10\text{ mV}$ .  $V_{130}$  ADC conversion result is stored in the  $TS\_CAL2$  byte.
3. Guaranteed by design.
4. Shortest sampling time can be determined in the application by multiple iterations.

### 6.3.17 Comparators

Table 62. Comparator 1 characteristics

Symbol	Parameter	Conditions	Min <sup>(1)</sup>	Typ	Max <sup>(1)</sup>	Unit
$V_{DDA}$	Analog supply voltage	-	1.65		3.6	V
$R_{400K}$	$R_{400K}$ value	-	-	400	-	$\text{k}\Omega$
$R_{10K}$	$R_{10K}$ value	-	-	10	-	
$V_{IN}$	Comparator 1 input voltage range	-	0.6	-	$V_{DDA}$	V
$t_{START}$	Comparator startup time	-	-	7	10	$\mu\text{s}$
$t_d$	Propagation delay <sup>(2)</sup>	-	-	3	10	
Voffset	Comparator offset	-	-	$\pm 3$	$\pm 10$	mV
$d_{Voffset}/dt$	Comparator offset variation in worst voltage stress conditions	$V_{DDA} = 3.6\text{ V}$ $V_{IN+} = 0\text{ V}$ $V_{IN-} = V_{REFINT}$ $T_A = 25^{\circ}\text{C}$	0	1.5	10	mV/1000 h
$I_{COMP1}$	Current consumption <sup>(3)</sup>	-	-	160	260	nA

1. Guaranteed by characterization.
2. The delay is characterized for 100 mV input step with 10 mV overdrive on the inverting input, the non-inverting input set to the reference.
3. Comparator consumption only. Internal reference voltage not included.

**Table 63. Comparator 2 characteristics**

Symbol	Parameter	Conditions	Min	Typ	Max <sup>(1)</sup>	Unit
V <sub>DDA</sub>	Analog supply voltage	-	1.65	-	3.6	V
V <sub>IN</sub>	Comparator 2 input voltage range	-	0	-	V <sub>DDA</sub>	V
t <sub>START</sub>	Comparator startup time	Fast mode	-	15	20	μs
		Slow mode	-	20	25	
t <sub>d slow</sub>	Propagation delay <sup>(2)</sup> in slow mode	1.65 V ≤ V <sub>DDA</sub> ≤ 2.7 V	-	1.8	3.5	
		2.7 V ≤ V <sub>DDA</sub> ≤ 3.6 V	-	2.5	6	
t <sub>d fast</sub>	Propagation delay <sup>(2)</sup> in fast mode	1.65 V ≤ V <sub>DDA</sub> ≤ 2.7 V	-	0.8	2	
		2.7 V ≤ V <sub>DDA</sub> ≤ 3.6 V	-	1.2	4	
V <sub>offset</sub>	Comparator offset error	-	-	±4	±20	mV
dThreshold/dt	Threshold voltage temperature coefficient	V <sub>DDA</sub> = 3.3V T <sub>A</sub> = 0 to 50 °C V <sub>-</sub> = V <sub>REFINT</sub> , 3/4 V <sub>REFINT</sub> , 1/2 V <sub>REFINT</sub> , 1/4 V <sub>REFINT</sub> .	-	15	30	ppm/°C
I <sub>COMP2</sub>	Current consumption <sup>(3)</sup>	Fast mode	-	3.5	5	μA
		Slow mode	-	0.5	2	

1. Guaranteed by characterization results.
2. The delay is characterized for 100 mV input step with 10 mV overdrive on the inverting input, the non-inverting input set to the reference.
3. Comparator consumption only. Internal reference voltage (necessary for comparator operation) is not included.

### 6.3.18 Timer characteristics

#### TIM timer characteristics

The parameters given in the [Table 64](#) are guaranteed by design.

Refer to [Section 6.3.13: I/O port characteristics](#) for details on the input/output alternate function characteristics (output compare, input capture, external clock, PWM output).

**Table 64. TIMx<sup>(1)</sup> characteristics**

Symbol	Parameter	Conditions	Min	Max	Unit
t <sub>res(TIM)</sub>	Timer resolution time	-	1	-	t <sub>TIMxCLK</sub>
		f <sub>TIMxCLK</sub> = 32 MHz	31.25	-	ns
f <sub>EXT</sub>	Timer external clock frequency on CH1 to CH4	-	0	f <sub>TIMxCLK</sub> /2	MHz
		f <sub>TIMxCLK</sub> = 32 MHz	0	16	MHz
Res <sub>TIM</sub>	Timer resolution	-	-	16	bit

**Table 64. TIMx<sup>(1)</sup> characteristics (continued)**

Symbol	Parameter	Conditions	Min	Max	Unit
t <sub>COUNTER</sub>	16-bit counter clock period when internal clock is selected (timer's prescaler disabled)	-	1	65536	t <sub>TIMxCLK</sub>
		f <sub>TIMxCLK</sub> = 32 MHz	0.0312	2048	μs
t <sub>MAX_COUNT</sub>	Maximum possible count	-	-	65536 × 65536	t <sub>TIMxCLK</sub>
		f <sub>TIMxCLK</sub> = 32 MHz	-	134.2	s

1. TIMx is used as a general term to refer to the TIM2, TIM21, and TIM22 timers.

### 6.3.19 Communications interfaces

#### I<sup>2</sup>C interface characteristics

The I<sup>2</sup>C interface meets the timings requirements of the I<sup>2</sup>C-bus specification and user manual rev. 03 for:

- Standard-mode (Sm) : with a bit rate up to 100 kbit/s
- Fast-mode (Fm) : with a bit rate up to 400 kbit/s
- Fast-mode Plus (Fm+) : with a bit rate up to 1 Mbit/s.

The I<sup>2</sup>C timing requirements are guaranteed by design when the I<sup>2</sup>C peripheral is properly configured (refer to the reference manual for details). The SDA and SCL I/O requirements are met with the following restrictions: the SDA and SCL I/O pins are not "true" open-drain. When configured as open-drain, the PMOS connected between the I/O pin and VDDIOx is disabled, but is still present. Only FTf I/O pins support Fm+ low level output current maximum requirement (refer to [Section 6.3.13: I/O port characteristics](#) for the I2C I/Os characteristics).

All I<sup>2</sup>C SDA and SCL I/Os embed an analog filter (see [Table 65](#) for the analog filter characteristics).

The analog spike filter is compliant with I<sup>2</sup>C timings requirements only for the following voltage ranges:

- Fast mode Plus: 2.7 V ≤ V<sub>DD</sub> ≤ 3.6 V and voltage scaling Range 1
- Fast mode:
  - 2 V ≤ V<sub>DD</sub> ≤ 3.6 V and voltage scaling Range 1 or Range 2.
  - V<sub>DD</sub> < 2 V, voltage scaling Range 1 or Range 2, C<sub>load</sub> < 200 pF.

In other ranges, the analog filter must be disabled. The digital filter can be used instead.

*Note:* In Standard mode, no spike filter is required.

**Table 65. I2C analog filter characteristics<sup>(1)</sup>**

Symbol	Parameter	Conditions	Min	Max	Unit
t <sub>AF</sub>	Maximum pulse width of spikes that are suppressed by the analog filter	Range 1	50 <sup>(2)</sup>	100 <sup>(3)</sup>	ns
		Range 2		-	
		Range 3		-	

1. Guaranteed by characterization results.

2. Spikes with widths below t<sub>AF(min)</sub> are filtered.

- Spikes with widths above  $t_{AF(max)}$  are not filtered

### SPI characteristics

Unless otherwise specified, the parameters given in the following tables are derived from tests performed under ambient temperature,  $f_{PCLKx}$  frequency and  $V_{DD}$  supply voltage conditions summarized in [Table 20](#).

Refer to [Section 6.3.12: I/O current injection characteristics](#) for more details on the input/output alternate function characteristics (NSS, SCK, MOSI, MISO).

**Table 66. SPI characteristics in voltage Range 1 <sup>(1)</sup>**

Symbol	Parameter	Conditions	Min	Typ	Max	Unit
$f_{SCK}$ $1/t_{c(SCK)}$	SPI clock frequency	Master mode	-	-	16	MHz
		Slave mode receiver	-	-	16	
		Slave mode Transmitter $1.71 < V_{DD} < 3.6V$	-	-	12 <sup>(2)</sup>	
		Slave mode Transmitter $2.7 < V_{DD} < 3.6V$	-	-	16 <sup>(2)</sup>	
Duty(SCK)	Duty cycle of SPI clock frequency	Slave mode	30	50	70	%
$t_{su(NSS)}$	NSS setup time	Slave mode, SPI presc = 2	4*Tpclk	-	-	ns
$t_h(NSS)$	NSS hold time	Slave mode, SPI presc = 2	2*Tpclk	-	-	
$t_w(SCKH)$ $t_w(SCKL)$	SCK high and low time	Master mode	Tpclk-2	Tpclk	Tpclk+2	
$t_{su(MI)}$	Data input setup time	Master mode	8.5	-	-	
$t_{su(SI)}$		Slave mode	8.5	-	-	
$t_h(MI)$	Data input hold time	Master mode	6	-	-	
$t_h(SI)$		Slave mode	1	-	-	
$t_a(SO)$	Data output access time	Slave mode	15	-	36	
$t_{dis(SO)}$	Data output disable time	Slave mode	10	-	30	
$t_v(SO)$	Data output valid time	Slave mode $1.71 < V_{DD} < 3.6V$	-	29	41	
		Slave mode $2.7 < V_{DD} < 3.6V$	-	22	28	
$t_v(MO)$		Master mode	-	10	17	
$t_h(SO)$	Data output hold time	Slave mode	9	-	-	
$t_h(MO)$		Master mode	3	-	-	

- Guaranteed by characterization results.
- The maximum SPI clock frequency in slave transmitter mode is determined by the sum of  $t_{v(SO)}$  and  $t_{su(MI)}$  which has to fit into SCK low or high phase preceding the SCK sampling edge. This value can be achieved when the SPI communicates with a master having  $t_{su(MI)} = 0$  while  $Duty_{(SCK)} = 50\%$ .

Table 67. SPI characteristics in voltage Range 2 <sup>(1)</sup>

Symbol	Parameter	Conditions	Min	Typ	Max	Unit
f <sub>SCK</sub> 1/t <sub>c(SCK)</sub>	SPI clock frequency	Master mode	-	-	8	MHz
		Slave mode Transmitter 1.65<V <sub>DD</sub> <3.6V			8	
		Slave mode Transmitter 2.7<V <sub>DD</sub> <3.6V			8 <sup>(2)</sup>	
Duty <sub>(SCK)</sub>	Duty cycle of SPI clock frequency	Slave mode	30	50	70	%
t <sub>su(NSS)</sub>	NSS setup time	Slave mode, SPI presc = 2	4*Tpclk	-	-	ns
t <sub>h(NSS)</sub>	NSS hold time	Slave mode, SPI presc = 2	2*Tpclk	-	-	
t <sub>w(SCKH)</sub> t <sub>w(SCKL)</sub>	SCK high and low time	Master mode	Tpclk-2	Tpclk	Tpclk+2	
t <sub>su(MI)</sub>	Data input setup time	Master mode	12	-	-	
t <sub>su(SI)</sub>		Slave mode	11	-	-	
t <sub>h(MI)</sub>	Data input hold time	Master mode	6.5	-	-	
t <sub>h(SI)</sub>		Slave mode	2	-	-	
t <sub>a(SO)</sub>	Data output access time	Slave mode	18	-	52	
t <sub>dis(SO)</sub>	Data output disable time	Slave mode	12	-	42	
t <sub>v(SO)</sub>	Data output valid time	Slave mode	-	40	55	
		Master mode	-	16	26	
t <sub>v(MO)</sub>	Data output hold time	Slave mode	12	-	-	
t <sub>h(SO)</sub>		Master mode	4	-	-	

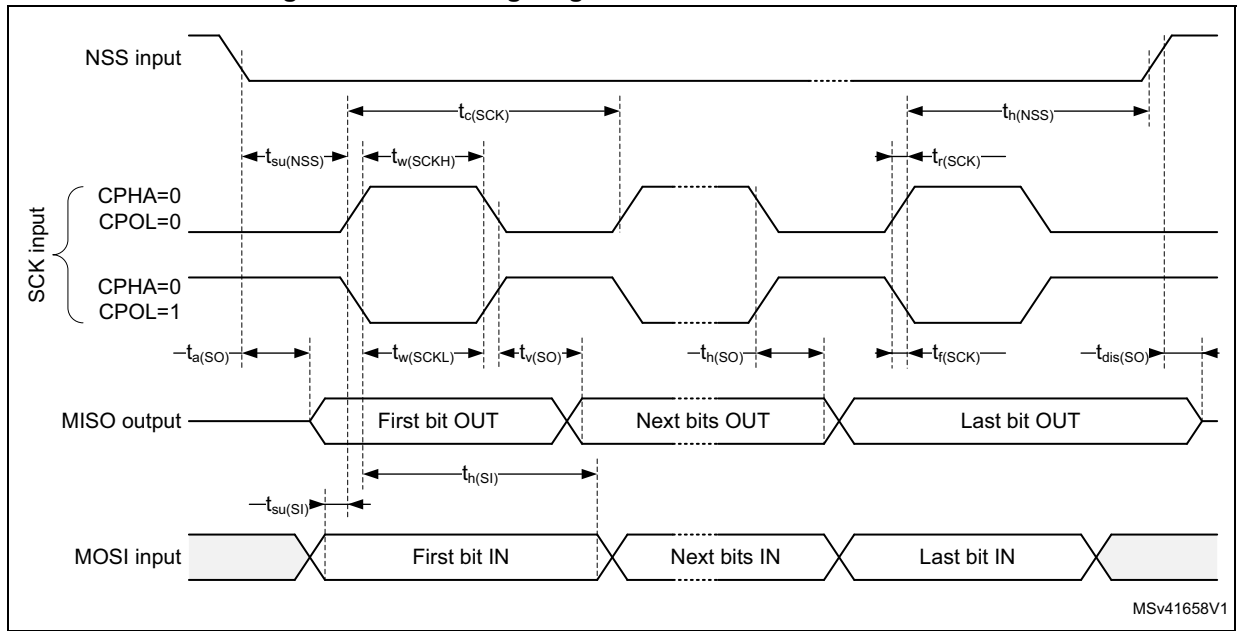
1. Guaranteed by characterization results.
2. The maximum SPI clock frequency in slave transmitter mode is determined by the sum of t<sub>v(SO)</sub> and t<sub>su(MI)</sub> which has to fit into SCK low or high phase preceding the SCK sampling edge. This value can be achieved when the SPI communicates with a master having t<sub>su(MI)</sub> = 0 while Duty<sub>(SCK)</sub> = 50%.

Table 68. SPI characteristics in voltage Range 3 <sup>(1)</sup>

Symbol	Parameter	Conditions	Min	Typ	Max	Unit
$f_{SCK}$ $1/t_{c(SCK)}$	SPI clock frequency	Master mode	-	-	2	MHz
		Slave mode			$2^{(2)}$	
$Duty_{(SCK)}$	Duty cycle of SPI clock frequency	Slave mode	30	50	70	%
$t_{su(NSS)}$	NSS setup time	Slave mode, SPI presc = 2	$4 \cdot T_{pclk}$	-	-	ns
$t_{h(NSS)}$	NSS hold time	Slave mode, SPI presc = 2	$2 \cdot T_{pclk}$	-	-	
$t_{w(SCKH)}$ $t_{w(SCKL)}$	SCK high and low time	Master mode	$T_{pclk} - 2$	$T_{pclk}$	$T_{pclk} + 2$	
$t_{su(MI)}$	Data input setup time	Master mode	28.5	-	-	
$t_{su(SI)}$		Slave mode	22	-	-	
$t_{h(MI)}$	Data input hold time	Master mode	7	-	-	
$t_{h(SI)}$		Slave mode	5	-	-	
$t_{a(SO)}$	Data output access time	Slave mode	30	-	70	
$t_{dis(SO)}$	Data output disable time	Slave mode	40	-	80	
$t_{v(SO)}$	Data output valid time	Slave mode	-	53	86	
		Master mode	-	30	54	
$t_{v(MO)}$	Data output hold time	Slave mode	18	-	-	
$t_{h(SO)}$		Master mode	8	-	-	

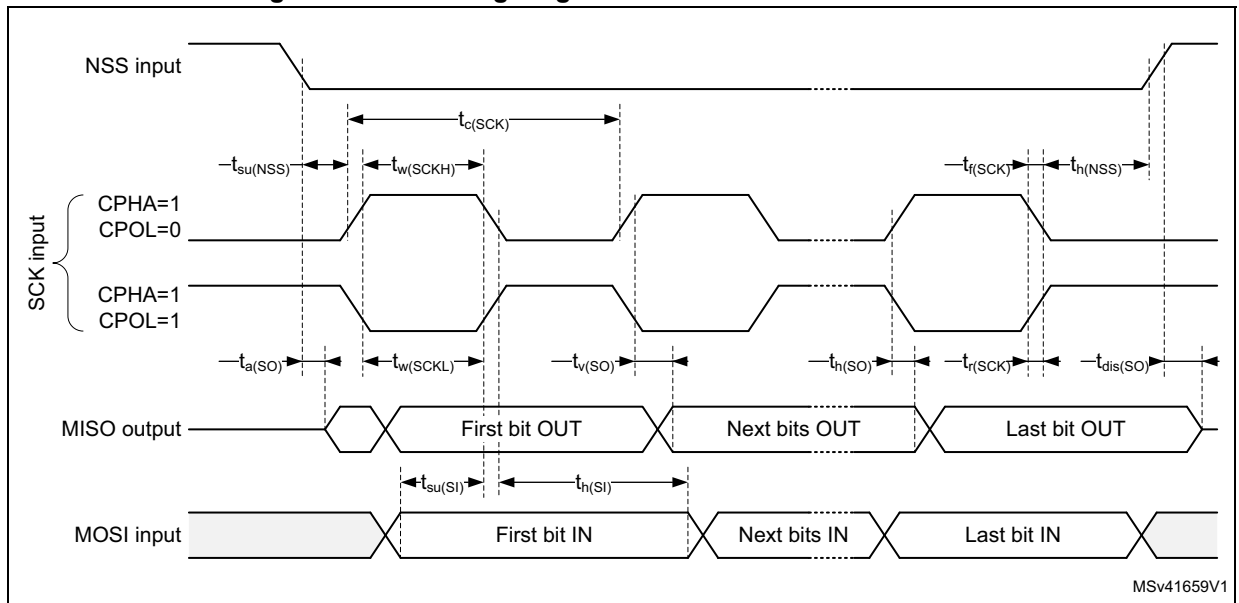
1. Guaranteed by characterization results.
2. The maximum SPI clock frequency in slave transmitter mode is determined by the sum of  $t_{v(SO)}$  and  $t_{su(MI)}$  which has to fit into SCK low or high phase preceding the SCK sampling edge. This value can be achieved when the SPI communicates with a master having  $t_{su(MI)} = 0$  while  $Duty_{(SCK)} = 50\%$ .

Figure 31. SPI timing diagram - slave mode and CPHA = 0



MSv41658V1

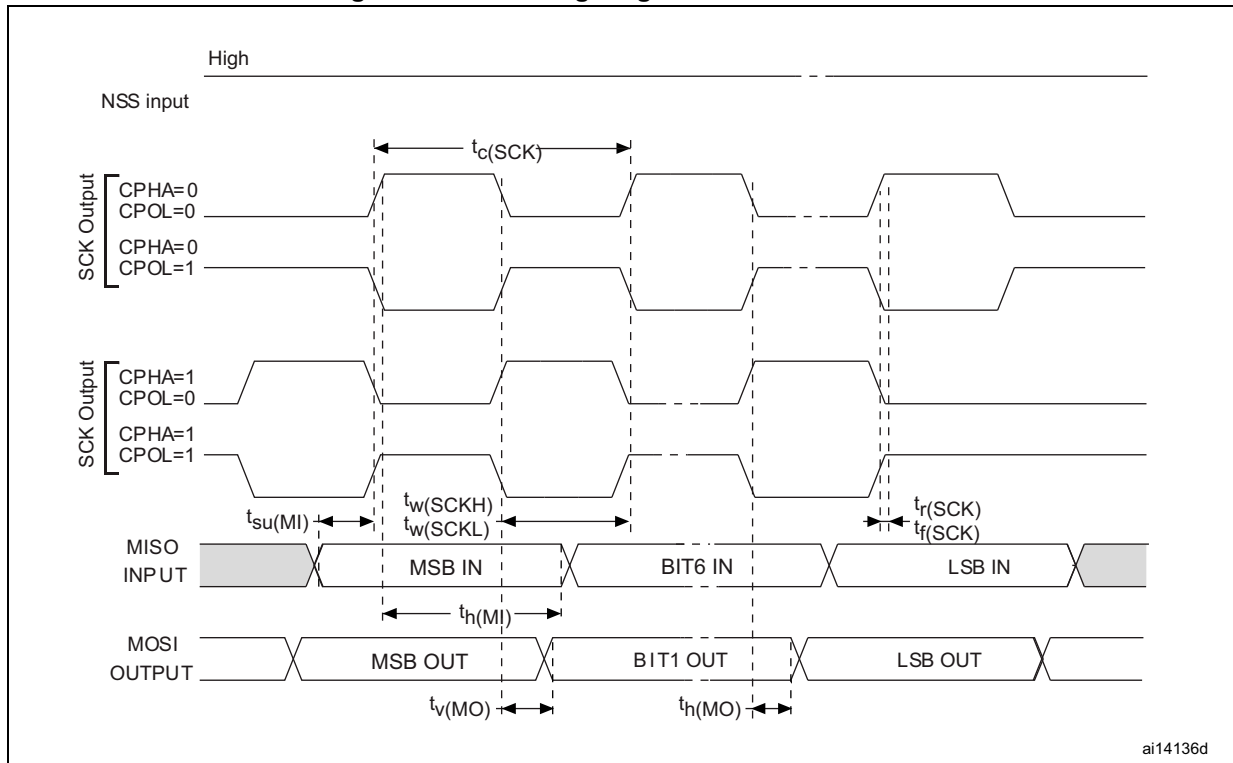
Figure 32. SPI timing diagram - slave mode and CPHA = 1<sup>(1)</sup>



MSv41659V1

1. Measurement points are done at CMOS levels:  $0.3V_{DD}$  and  $0.7V_{DD}$ .

Figure 33. SPI timing diagram - master mode<sup>(1)</sup>



1. Measurement points are done at CMOS levels:  $0.3V_{DD}$  and  $0.7V_{DD}$ .

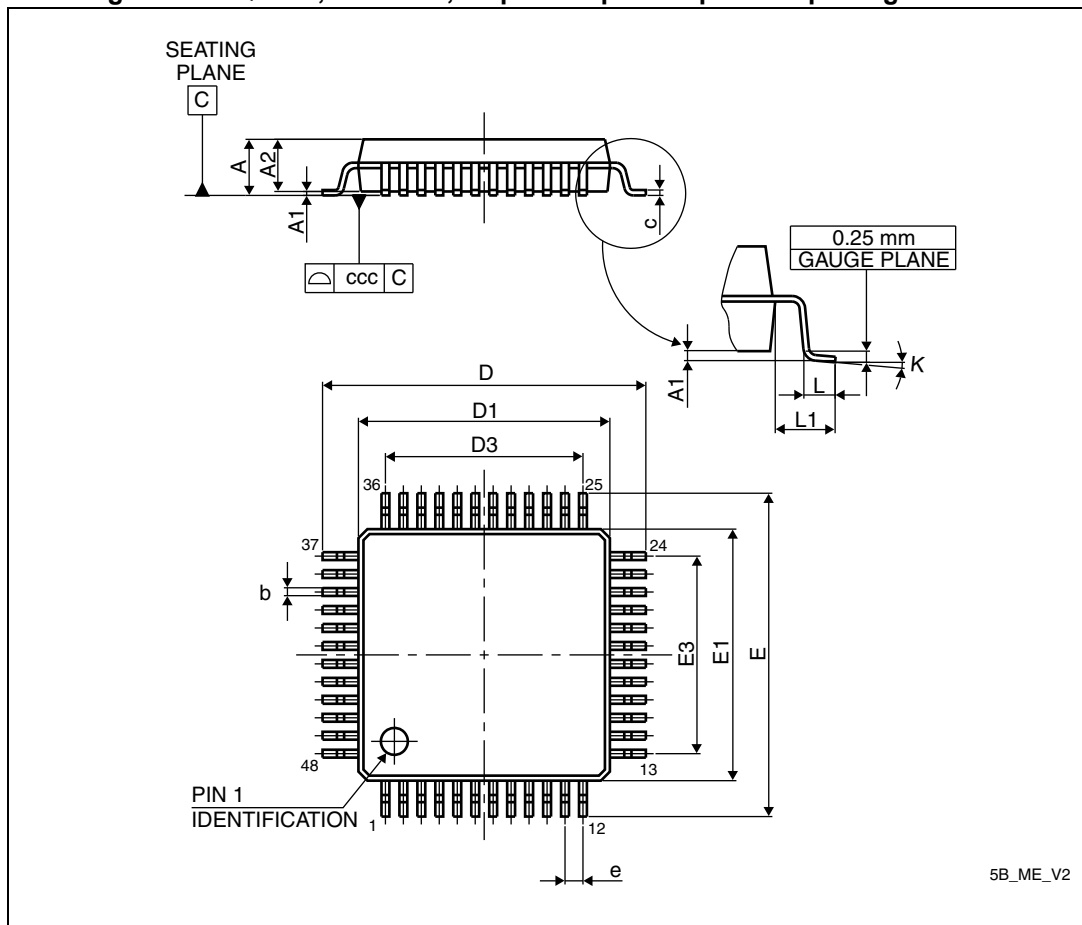


# 7 Package information

In order to meet environmental requirements, ST offers these devices in different grades of ECOPACK<sup>®</sup> packages, depending on their level of environmental compliance. ECOPACK<sup>®</sup> specifications, grade definitions and product status *are available at [www.st.com](http://www.st.com)*. ECOPACK<sup>®</sup> is an ST trademark.

## 7.1 LQFP48 package information

Figure 34. LQFP48, 7 x 7 mm, 48-pin low-profile quad flat package outline



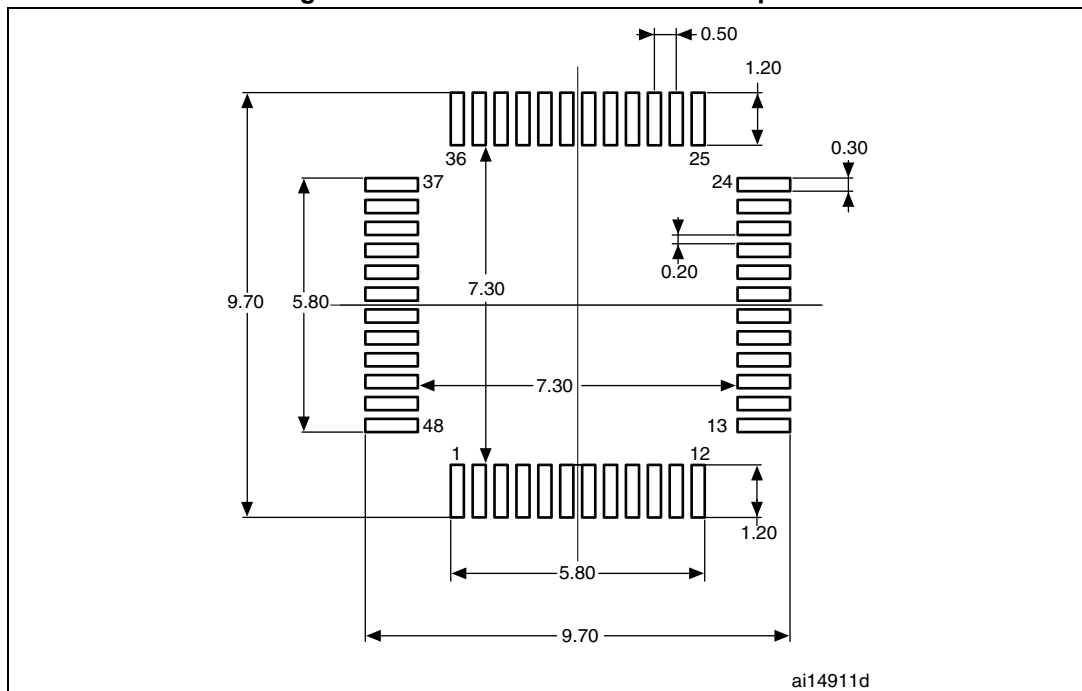
1. Drawing is not to scale.

Table 69. LQFP48 - 48-pin low-profile quad flat package, 7 x 7 mm, package mechanical data

Symbol	millimeters			inches <sup>(1)</sup>		
	Min	Typ	Max	Min	Typ	Max
A	-	-	1.600	-	-	0.0630
A1	0.050	-	0.150	0.0020	-	0.0059
A2	1.350	1.400	1.450	0.0531	0.0551	0.0571
b	0.170	0.220	0.270	0.0067	0.0087	0.0106
c	0.090	-	0.200	0.0035	-	0.0079
D	8.800	9.000	9.200	0.3465	0.3543	0.3622
D1	6.800	7.000	7.200	0.2677	0.2756	0.2835
D3	-	5.500	-	-	0.2165	-
E	8.800	9.000	9.200	0.3465	0.3543	0.3622
E1	6.800	7.000	7.200	0.2677	0.2756	0.2835
E3	-	5.500	-	-	0.2165	-
e	-	0.500	-	-	0.0197	-
L	0.450	0.600	0.750	0.0177	0.0236	0.0295
L1	-	1.000	-	-	0.0394	-
k	0°	3.5°	7°	0°	3.5°	7°
ccc	-	-	0.080	-	-	0.0031

1. Values in inches are converted from mm and rounded to 4 decimal digits.

Figure 35. LQFP48 recommended footprint



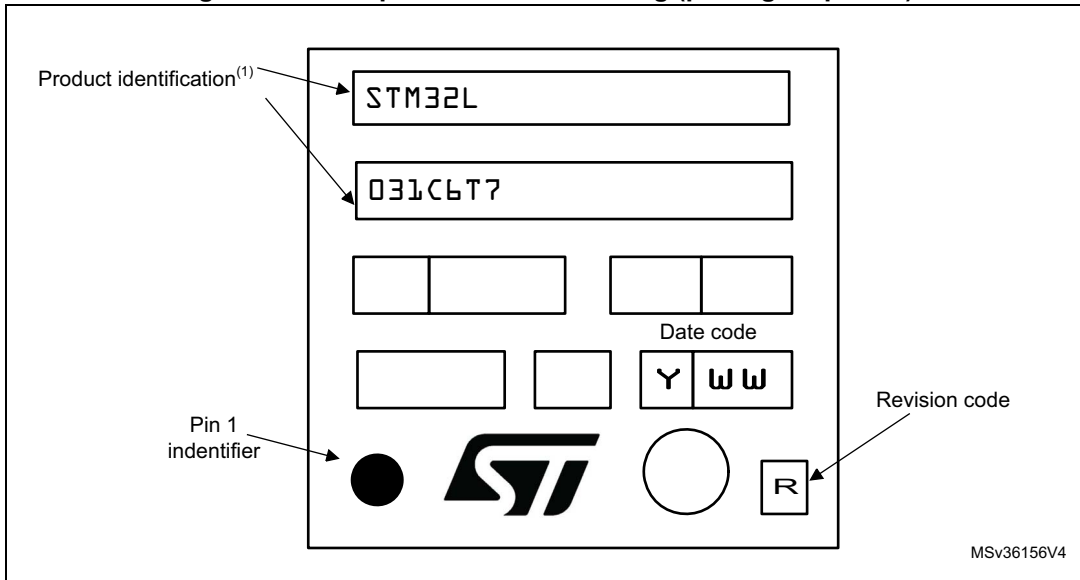
1. Dimensions are expressed in millimeters.

### LQFP48 device marking

The following figure gives an example of topside marking versus pin 1 position identifier location.

Other optional marking or inset/upset marks, which depends assembly location, are not indicated below.

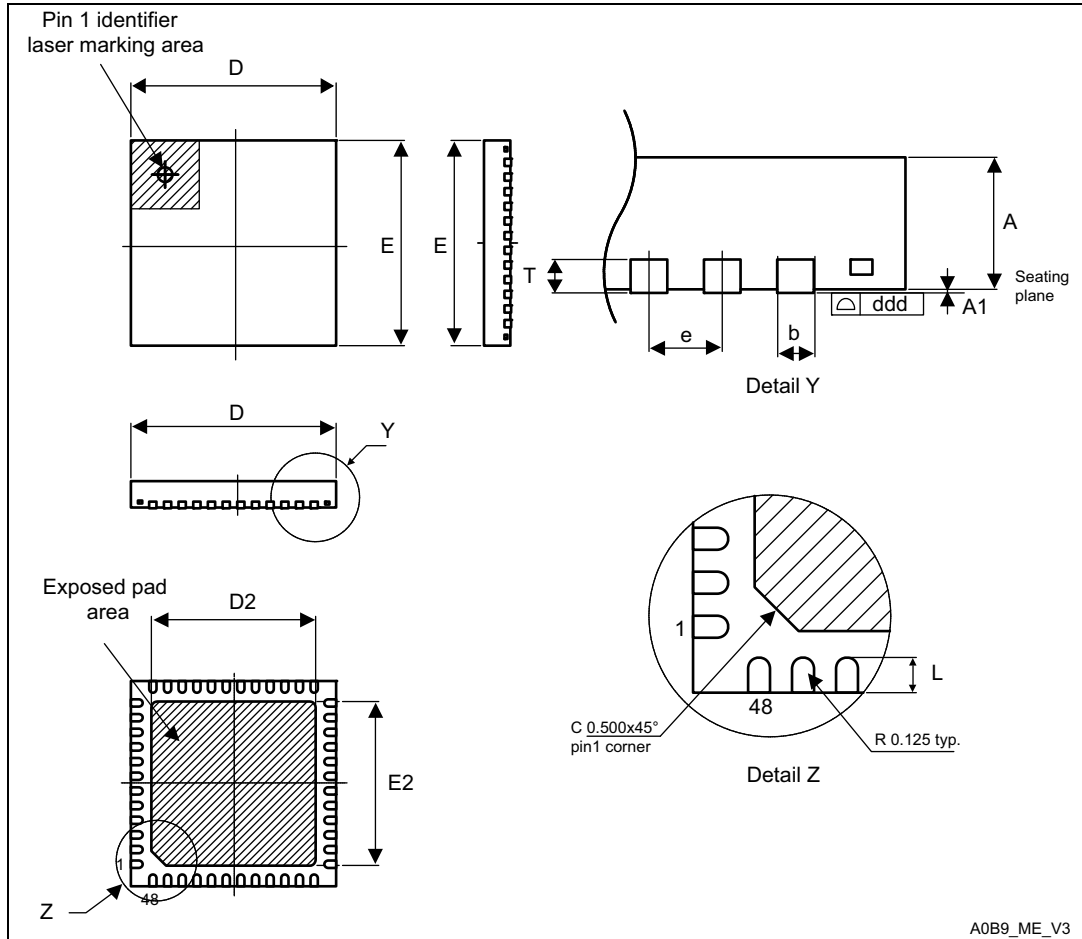
Figure 36. Example of LQFP48 marking (package top view)



1. Parts marked as “ES”, “E” or accompanied by an Engineering Sample notification letter, are not yet qualified and therefore not yet ready to be used in production and any consequences deriving from such usage will not be at ST charge. In no event, ST will be liable for any customer usage of these engineering samples in production. ST Quality has to be contacted prior to any decision to use these Engineering samples to run qualification activity.

## 7.2 UFQFPN48 package information

Figure 37. UFQFPN48 - 48-lead, 7x7 mm, 0.5 mm pitch, ultra thin fine pitch quad flat package outline



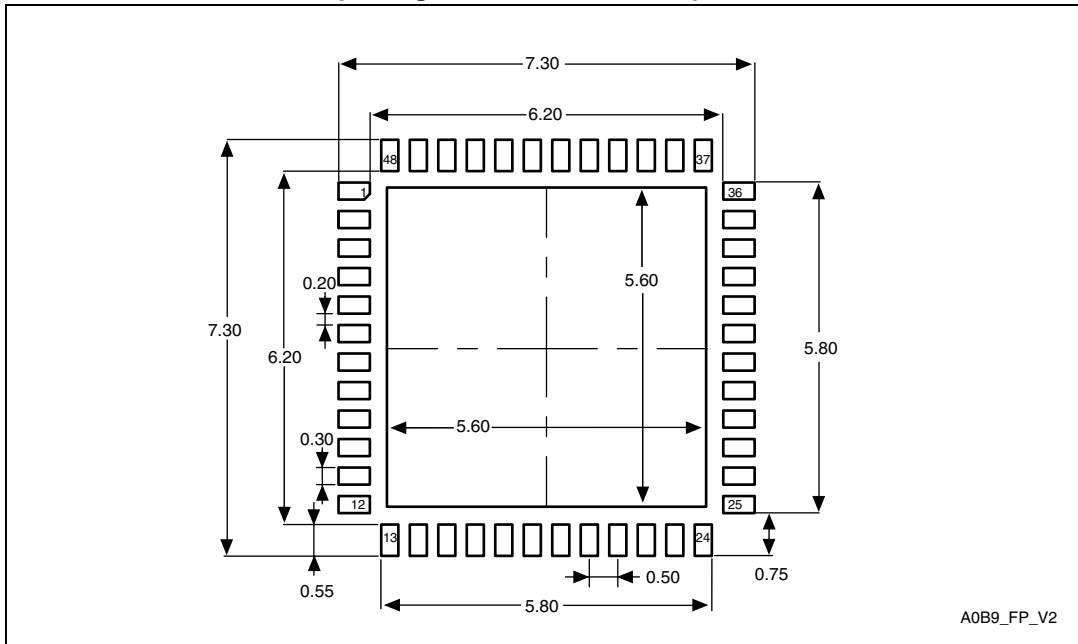
1. Drawing is not to scale.
2. All leads/pads must also be soldered to the PCB to improve the lead/pad solder joint life.
3. There is an exposed die pad on the underside of the UFQFPN package. It is recommended to connect and solder this back-side pad to PCB ground.

**Table 70. UFQFPN48 - 48-lead, 7x7 mm, 0.5 mm pitch, ultra thin fine pitch quad flat package mechanical data**

Symbol	millimeters			inches <sup>(1)</sup>		
	Min	Typ	Max	Min	Typ	Max
A	0.500	0.550	0.600	0.0197	0.0217	0.0236
A1	0.000	0.020	0.050	0.0000	0.0008	0.0020
D	6.900	7.000	7.100	0.2717	0.2756	0.2795
E	6.900	7.000	7.100	0.2717	0.2756	0.2795
D2	5.500	5.600	5.700	0.2165	0.2205	0.2244
E2	5.500	5.600	5.700	0.2165	0.2205	0.2244
L	0.300	0.400	0.500	0.0118	0.0157	0.0197
T	-	0.152	-	-	0.0060	-
b	0.200	0.250	0.300	0.0079	0.0098	0.0118
e	-	0.500	-	-	0.0197	-
ddd	-	-	0.080	-	-	0.0031

1. Values in inches are converted from mm and rounded to 4 decimal digits.

**Figure 38. UFQFPN48 - 48-lead, 7x7 mm, 0.5 mm pitch, ultra thin fine pitch quad flat package recommended footprint**



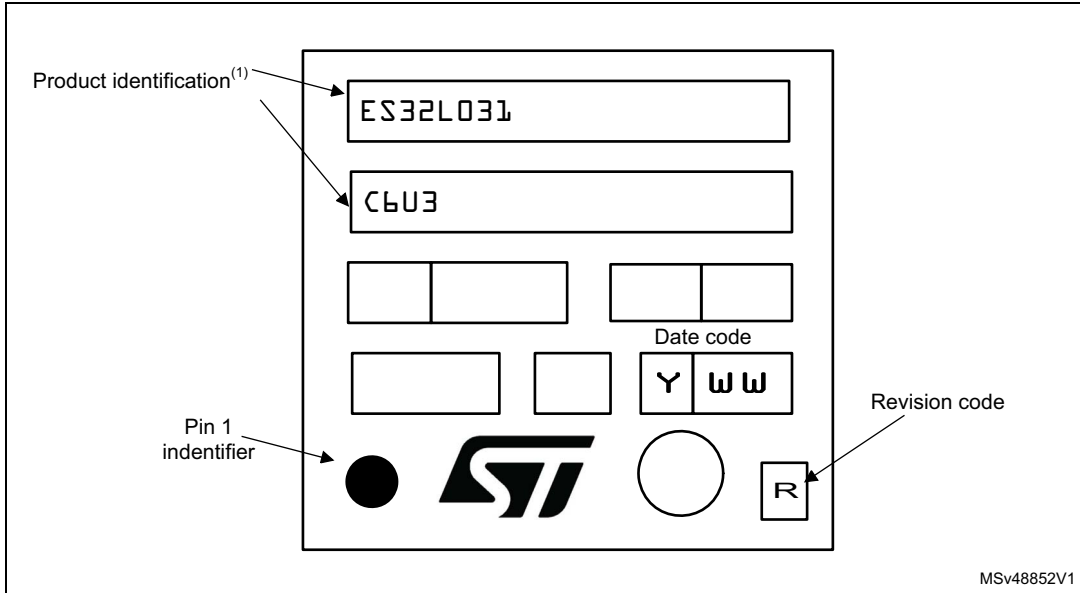
1. Dimensions are expressed in millimeters.

**UFQFPN48 device marking**

The following figure gives an example of topside marking versus pin 1 position identifier location.

Other optional marking or inset/upset marks, which depends assembly location, are not indicated below.

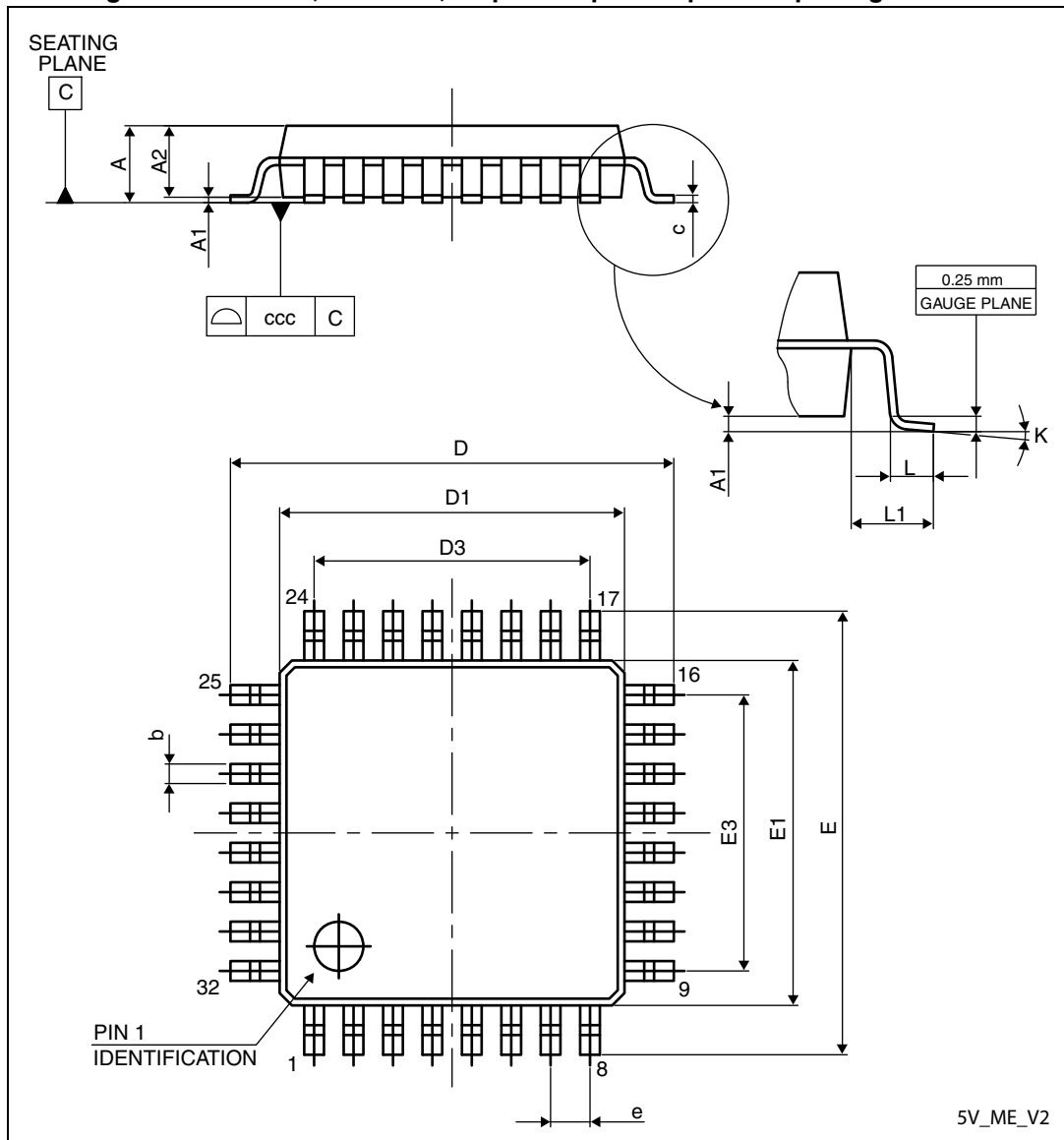
**Figure 39. Example of UFQFPN48 marking (package top view)**



1. Parts marked as "ES", "E" or accompanied by an Engineering Sample notification letter, are not yet qualified and therefore not yet ready to be used in production and any consequences deriving from such usage will not be at ST charge. In no event, ST will be liable for any customer usage of these engineering samples in production. ST Quality has to be contacted prior to any decision to use these Engineering samples to run qualification activity.

### 7.3 LQFP32 package information

Figure 40. LQFP32, 7 x 7 mm, 32-pin low-profile quad flat package outline



1. Drawing is not to scale.

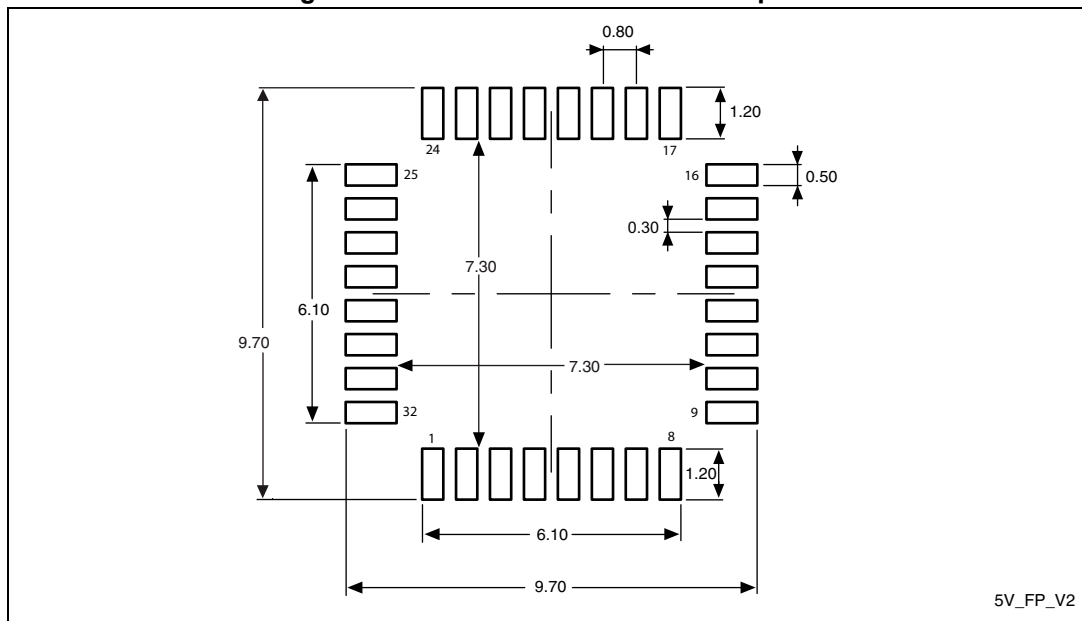


Table 71. LQFP32, 7 x 7 mm, 32-pin low-profile quad flat package mechanical data

Symbol	millimeters			inches <sup>(1)</sup>		
	Min	Typ	Max	Min	Typ	Max
A	-	-	1.600	-	-	0.0630
A1	0.050	-	0.150	0.0020	-	0.0059
A2	1.350	1.400	1.450	0.0531	0.0551	0.0571
b	0.300	0.370	0.450	0.0118	0.0146	0.0177
c	0.090	-	0.200	0.0035	-	0.0079
D	8.800	9.000	9.200	0.3465	0.3543	0.3622
D1	6.800	7.000	7.200	0.2677	0.2756	0.2835
D3	-	5.600	-	-	0.2205	-
E	8.800	9.000	9.200	0.3465	0.3543	0.3622
E1	6.800	7.000	7.200	0.2677	0.2756	0.2835
E3	-	5.600	-	-	0.2205	-
e	-	0.800	-	-	0.0315	-
L	0.450	0.600	0.750	0.0177	0.0236	0.0295
L1	-	1.000	-	-	0.0394	-
k	0°	3.5°	7°	0°	3.5°	7°
ccc	-	-	0.100	-	-	0.0039

1. Values in inches are converted from mm and rounded to 4 decimal digits.

Figure 41. LQFP32 recommended footprint



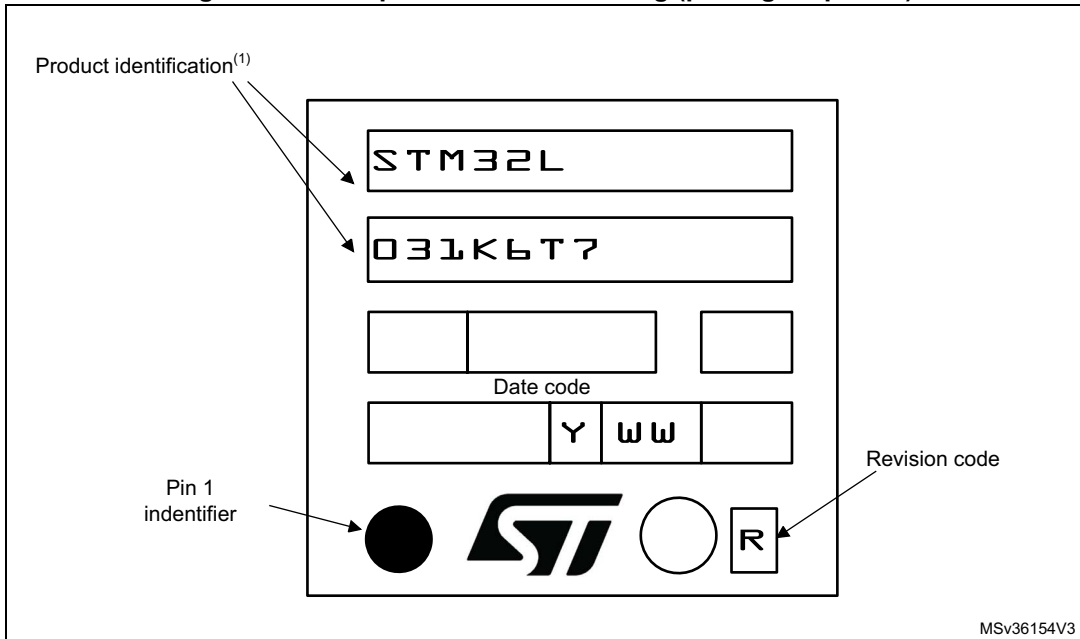
1. Dimensions are expressed in millimeters.

### LQFP32 device marking

The following figure gives an example of topside marking versus pin 1 position identifier location.

Other optional marking or inset/upset marks, which depends assembly location, are not indicated below.

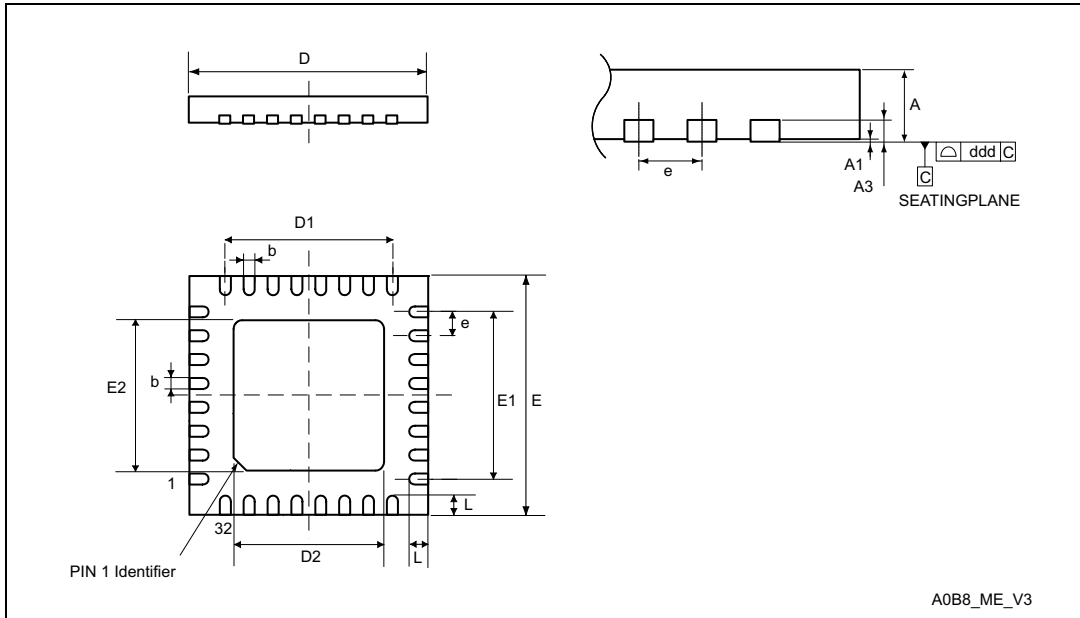
Figure 42. Example of LQFP32 marking (package top view)



1. Parts marked as “ES”, “E” or accompanied by an Engineering Sample notification letter, are not yet qualified and therefore not yet ready to be used in production and any consequences deriving from such usage will not be at ST charge. In no event, ST will be liable for any customer usage of these engineering samples in production. ST Quality has to be contacted prior to any decision to use these Engineering samples to run qualification activity.

### 7.4 UFQFPN32 package information

Figure 43. UFQFPN32 - 32-pin, 5x5 mm, 0.5 mm pitch ultra thin fine pitch quad flat package outline



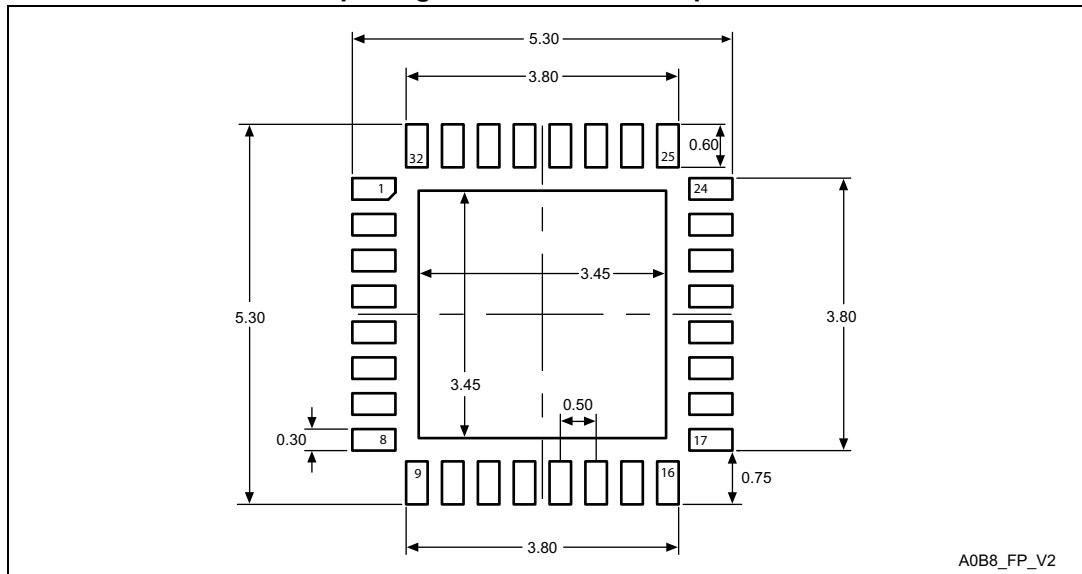
1. Drawing is not to scale.
2. There is an exposed die pad on the underside of the UFQFPN package. It is recommended to connect and solder this backside pad to PCB ground.

Table 72. UFQFPN32 - 32-pin, 5x5 mm, 0.5 mm pitch ultra thin fine pitch quad flat package mechanical data

Symbol	millimeters			inches <sup>(1)</sup>		
	Min	Typ	Max	Min	Typ	Max
A	0.500	0.550	0.600	0.0197	0.0217	0.0236
A1	-	-	0.050	-	-	0.0020
A3	-	0.152	-	-	0.0060	-
b	0.180	0.230	0.280	0.0071	0.0091	0.0110
D	4.900	5.000	5.100	0.1929	0.1969	0.2008
D1	3.400	3.500	3.600	0.1339	0.1378	0.1417
D2	3.400	3.500	3.600	0.1339	0.1378	0.1417
E	4.900	5.000	5.100	0.1929	0.1969	0.2008
E1	3.400	3.500	3.600	0.1339	0.1378	0.1417
E2	3.400	3.500	3.600	0.1339	0.1378	0.1417
e	-	0.500	-	-	0.0197	-
L	0.300	0.400	0.500	0.0118	0.0157	0.0197
ddd	-	-	0.080	-	-	0.0031

1. Values in inches are converted from mm and rounded to 4 decimal digits.

**Figure 44. UFQFPN32 - 32-pin, 5x5 mm, 0.5 mm pitch ultra thin fine pitch quad flat package recommended footprint**



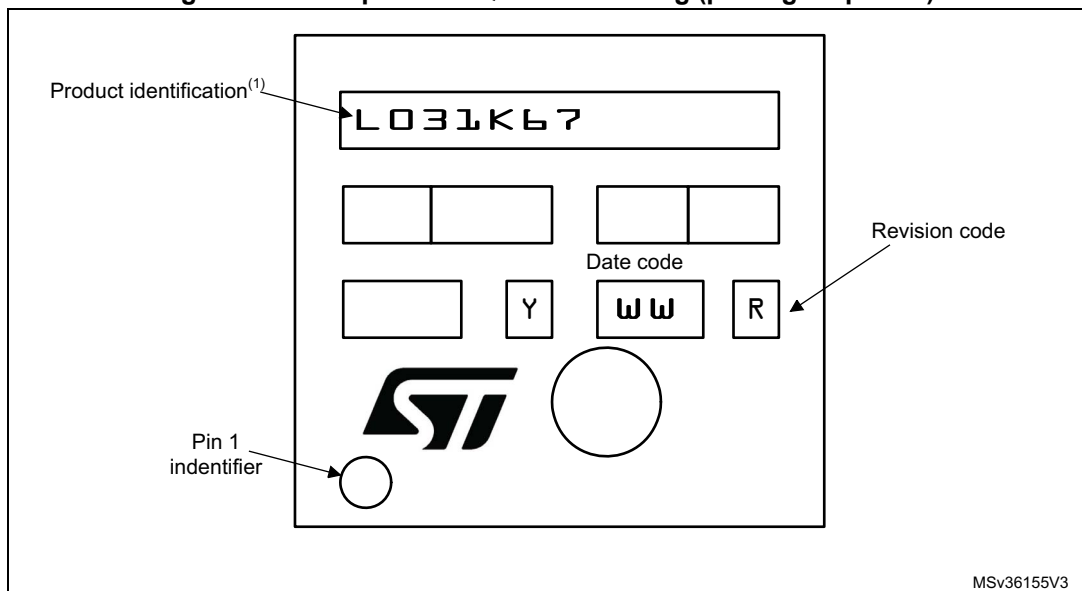
1. Dimensions are expressed in millimeters.

**UFQFPN32 device marking**

The following figure gives an example of topside marking versus pin 1 position identifier location.

Other optional marking or inset/upset marks, which depends assembly location, are not indicated below.

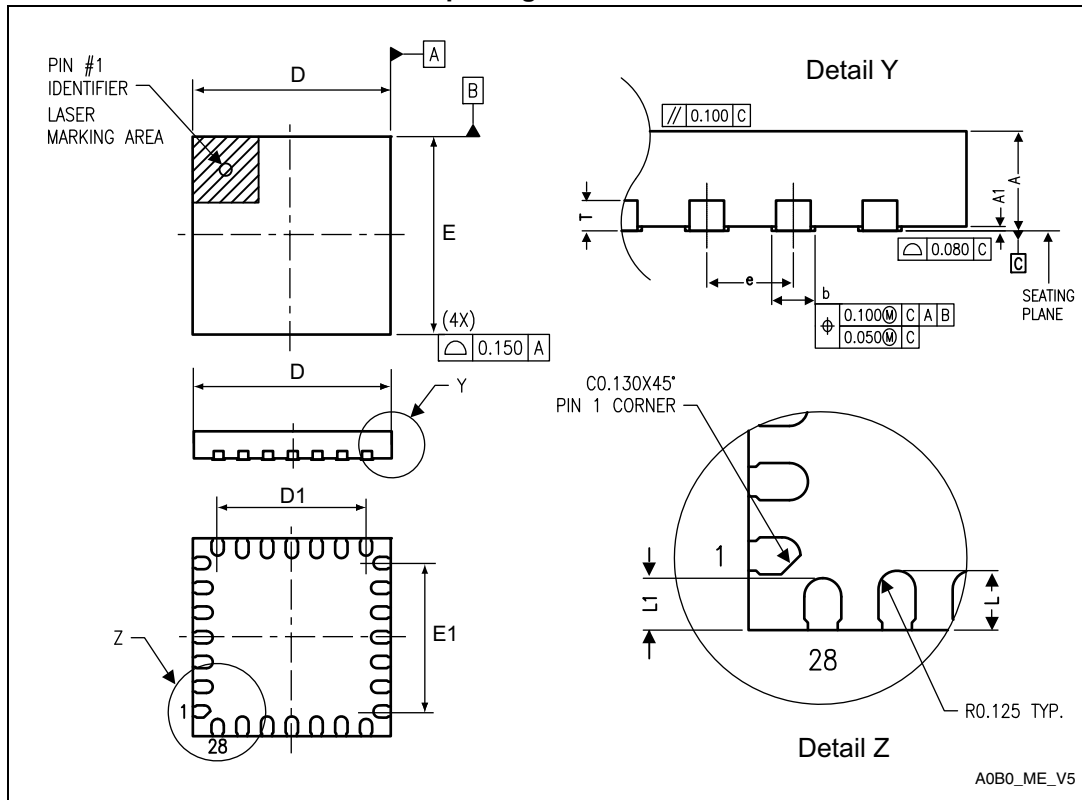
**Figure 45. Example of UFQFPN32 marking (package top view)**



1. Parts marked as “ES”, “E” or accompanied by an Engineering Sample notification letter, are not yet qualified and therefore not yet ready to be used in production and any consequences deriving from such usage will not be at ST charge. In no event, ST will be liable for any customer usage of these engineering samples in production. ST Quality has to be contacted prior to any decision to use these Engineering samples to run qualification activity.

### 7.5 UFQFPN28 package information

Figure 46. UFQFPN28 - 28-lead, 4 x 4 mm, 0.5 mm pitch, ultra thin fine pitch quad flat package outline



1. Drawing is not to scale.

Table 73. UFQFPN28 - 28-lead, 4 x 4 mm, 0.5 mm pitch, ultra thin fine pitch quad flat package mechanical data<sup>(1)</sup>

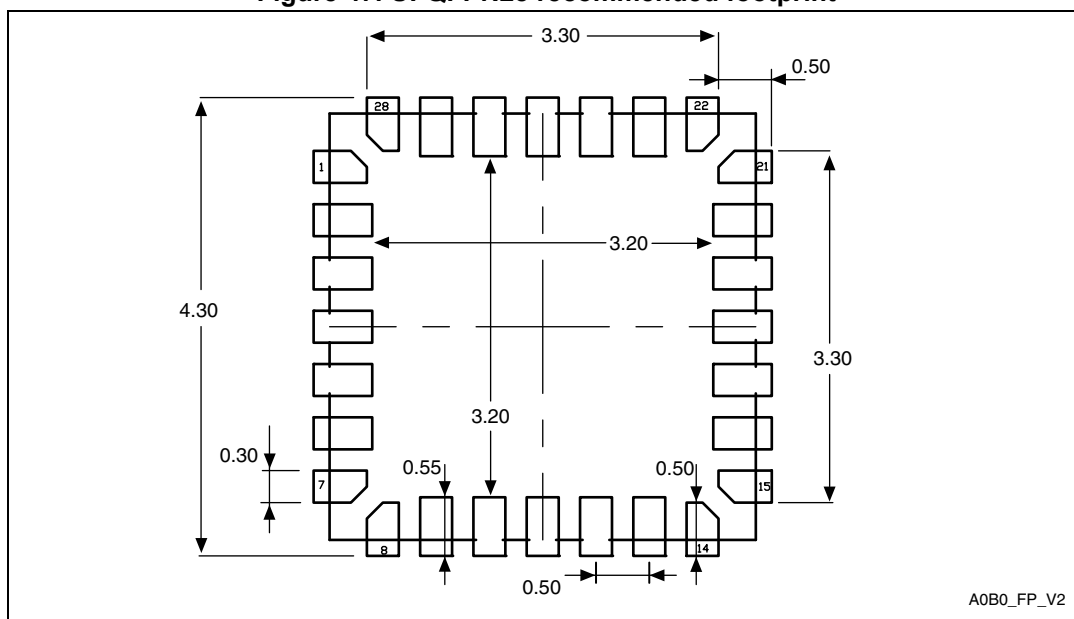
Symbol	millimeters			inches		
	Min	Typ	Max	Min	Typ	Max
A	0.500	0.550	0.600	0.0197	0.0217	0.0236
A1	-	0.000	0.050	-	0.0000	0.0020
D	3.900	4.000	4.100	0.1535	0.1575	0.1614
D1	2.900	3.000	3.100	0.1142	0.1181	0.1220
E	3.900	4.000	4.100	0.1535	0.1575	0.1614
E1	2.900	3.000	3.100	0.1142	0.1181	0.1220
L	0.300	0.400	0.500	0.0118	0.0157	0.0197
L1	0.250	0.350	0.450	0.0098	0.0138	0.0177
T	-	0.152	-	-	0.0060	-

**Table 73. UFQPN28 - 28-lead, 4 x 4 mm, 0.5 mm pitch, ultra thin fine pitch quad flat package mechanical data<sup>(1)</sup> (continued)**

Symbol	millimeters			inches		
	Min	Typ	Max	Min	Typ	Max
b	0.200	0.250	0.300	0.0079	0.0098	0.0118
e	-	0.500	-	-	0.0197	-

1. Values in inches are converted from mm and rounded to 4 decimal digits.

**Figure 47. UFQFPN28 recommended footprint**



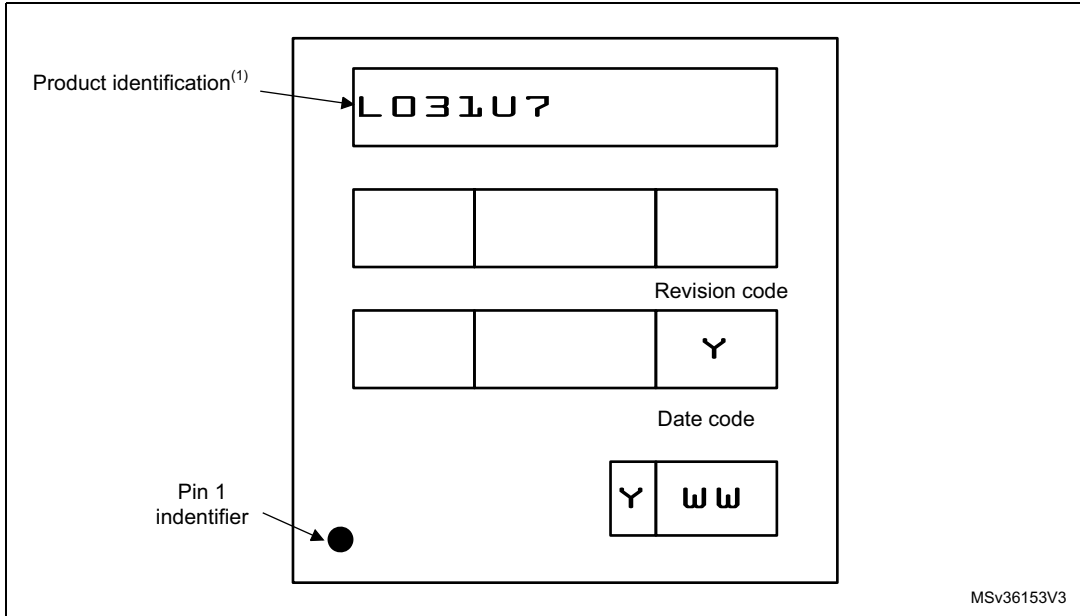
1. Dimensions are expressed in millimeters.

**UFQFPN28 device marking**

The following figure gives an example of topside marking versus pin 1 position identifier location.

Other optional marking or inset/upset marks, which depends assembly location, are not indicated below.

**Figure 48. Example of UFQFPN28 marking (package top view)**



1. Parts marked as “ES”, “E” or accompanied by an Engineering Sample notification letter, are not yet qualified and therefore not yet ready to be used in production and any consequences deriving from such usage will not be at ST charge. In no event, ST will be liable for any customer usage of these engineering samples in production. ST Quality has to be contacted prior to any decision to use these Engineering samples to run qualification activity.

## 7.6 WLCSP25 package information

Figure 49. WLCSP25 - 2.097 x 2.493 mm, 0.400 mm pitch wafer level chip scale package outline

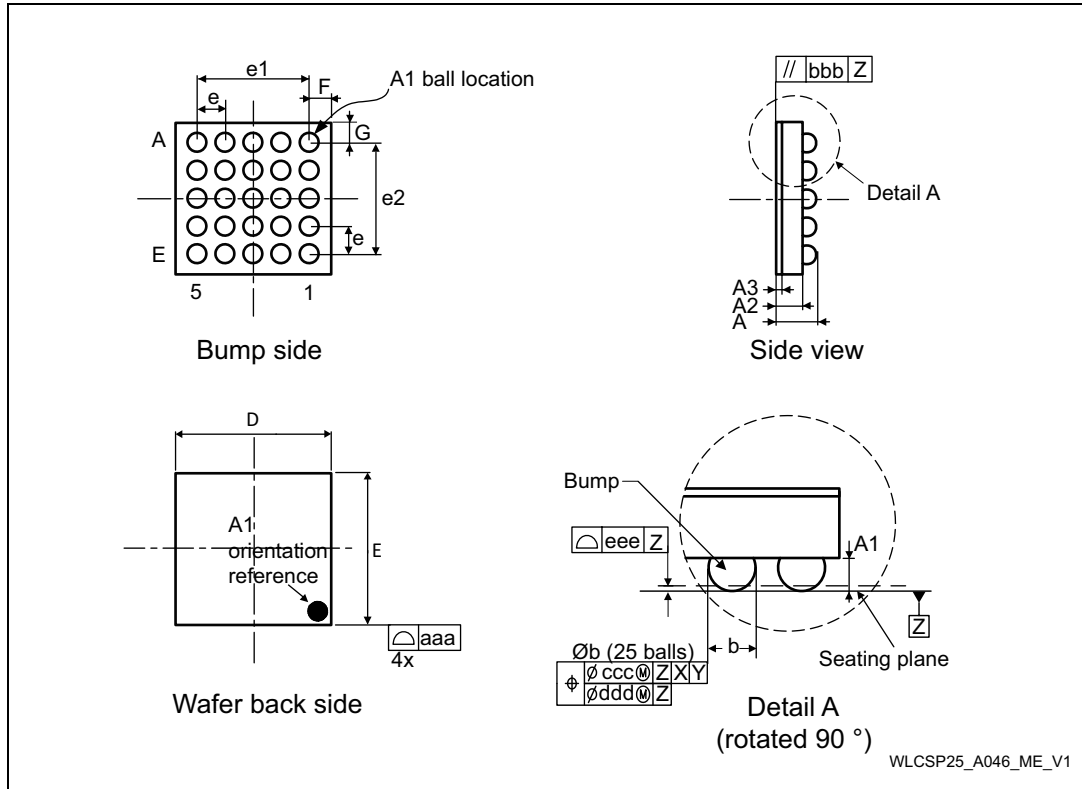


Table 74. WLCSP25 - 2.097 x 2.493 mm, 0.400 mm pitch wafer level chip scale mechanical data

Symbol	Millimeters			Inches <sup>(1)</sup>		
	Min	Typ	Max	Min	Typ	Max
A	0.525	0.555	0.585	0.0207	0.0219	0.0230
A1	-	0.175	-	-	0.0069	-
A2	-	0.380	-	-	0.0150	-
A3 <sup>(2)</sup>	-	0.025	-	-	0.0010	-
b <sup>(3)</sup>	0.220	0.250	0.280	0.0087	0.0098	0.0110
D	2.062	2.097	2.132	0.0812	0.0826	0.0839
E	2.458	2.493	2.528	0.0968	0.0981	0.0995
e	-	0.400	-	-	0.0157	-
e1	-	1.600	-	-	0.0630	-
e2	-	1.600	-	-	0.0630	-
F	-	0.2485	-	-	0.0098	-
G	-	0.4465	-	-	0.0176	-

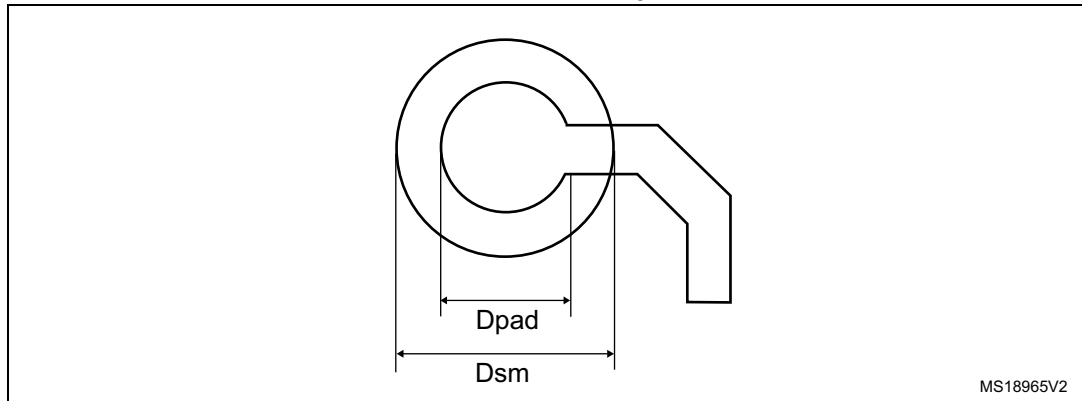


**Table 74. WLCSP25 - 2.097 x 2.493 mm, 0.400 mm pitch wafer level chip scale mechanical data (continued)**

Symbol	Millimeters			Inches <sup>(1)</sup>		
	Min	Typ	Max	Min	Typ	Max
aaa	-	-	0.100	-	-	0.0039
bbb	-	-	0.100	-	-	0.0039
ccc	-	-	0.100	-	-	0.0039
ddd	-	-	0.050	-	-	0.0020
eee	-	-	0.050	-	-	0.0020

1. Values in inches are converted from mm and rounded to 4 decimal digits.
2. Back side coating.
3. Dimension is measured at the maximum bump diameter parallel to primary datum Z.

**Figure 50. WLCSP25 - 2.097 x 2.493 mm, 0.400 mm pitch wafer level chip scale recommended footprint**



**Table 75. WLCSP25 recommended PCB design rules**

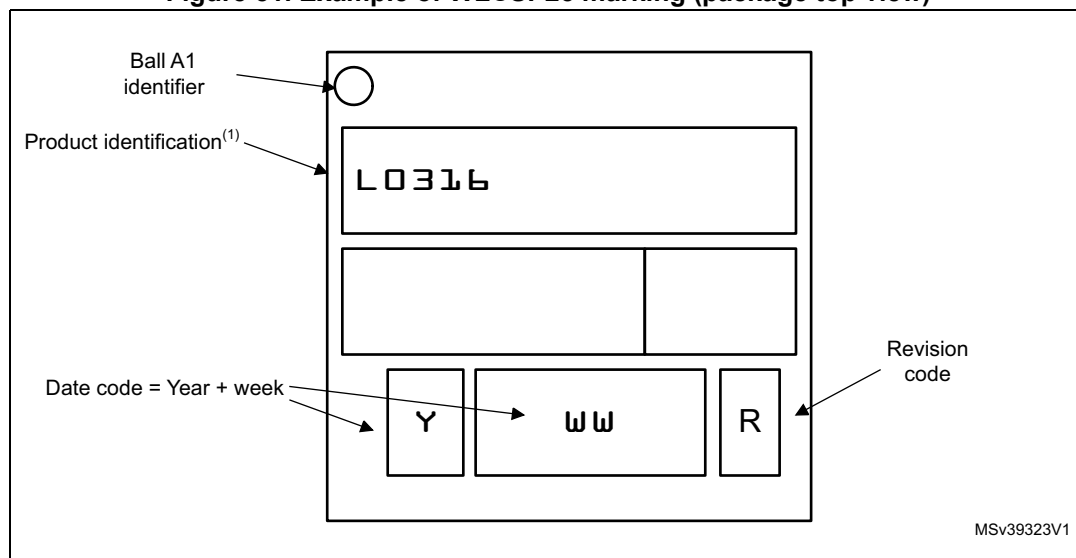
Dimension	Recommended values
Pitch	0.4 mm
Dpad	260 μm max. (circular) 220 μm recommended
Dsm	300 μm min. (for 260 μm diameter pad)
PCB pad design	Non-solder mask defined via underbump allowed

### WLCSP25 device marking

The following figure gives an example of topside marking versus ball A1 position identifier location.

Other optional marking or inset/upset marks, which depends assembly location, are not indicated below.

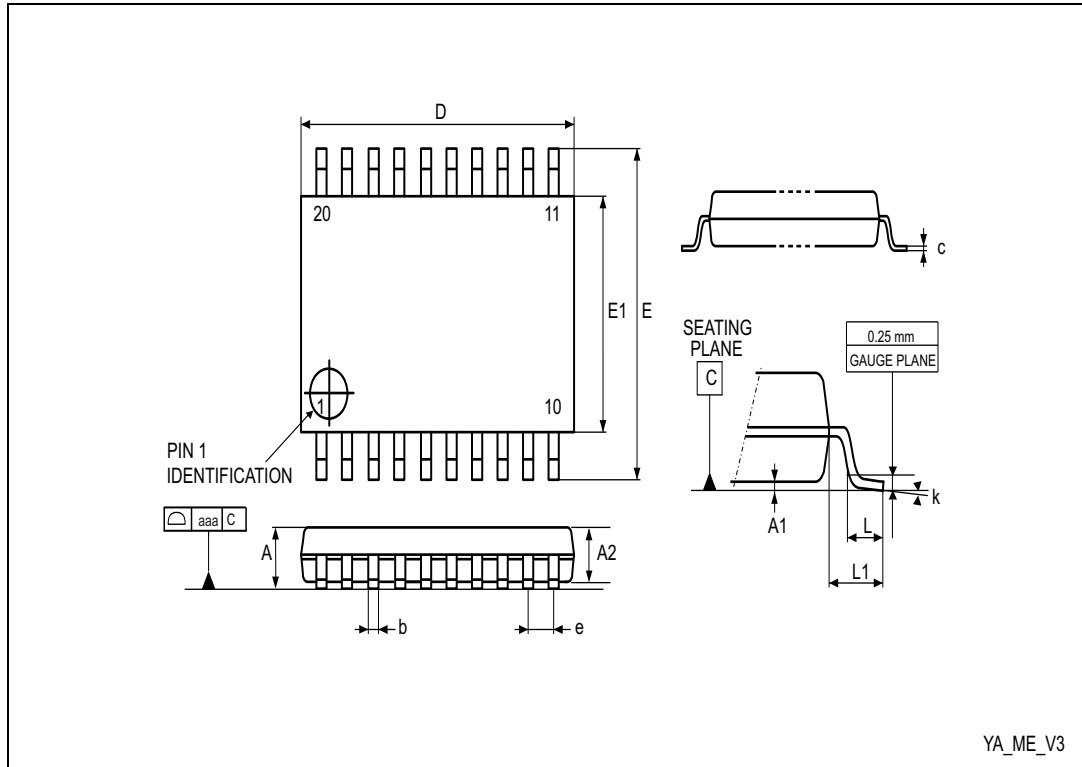
**Figure 51. Example of WLCSP25 marking (package top view)**



1. Parts marked as “ES”, “E” or accompanied by an Engineering Sample notification letter, are not yet qualified and therefore not yet ready to be used in production and any consequences deriving from such usage will not be at ST charge. In no event, ST will be liable for any customer usage of these engineering samples in production. ST Quality has to be contacted prior to any decision to use these Engineering samples to run qualification activity.

### 7.7 TSSOP20 package information

Figure 52. TSSOP20 – 20-lead thin shrink small outline, 6.5 x 4.4 mm, 0.65 mm pitch, package outline



YA\_ME\_V3

1. Drawing is not to scale.

Table 76. TSSOP20 – 20-lead thin shrink small outline, 6.5 x 4.4 mm, 0.65 mm pitch, package mechanical data

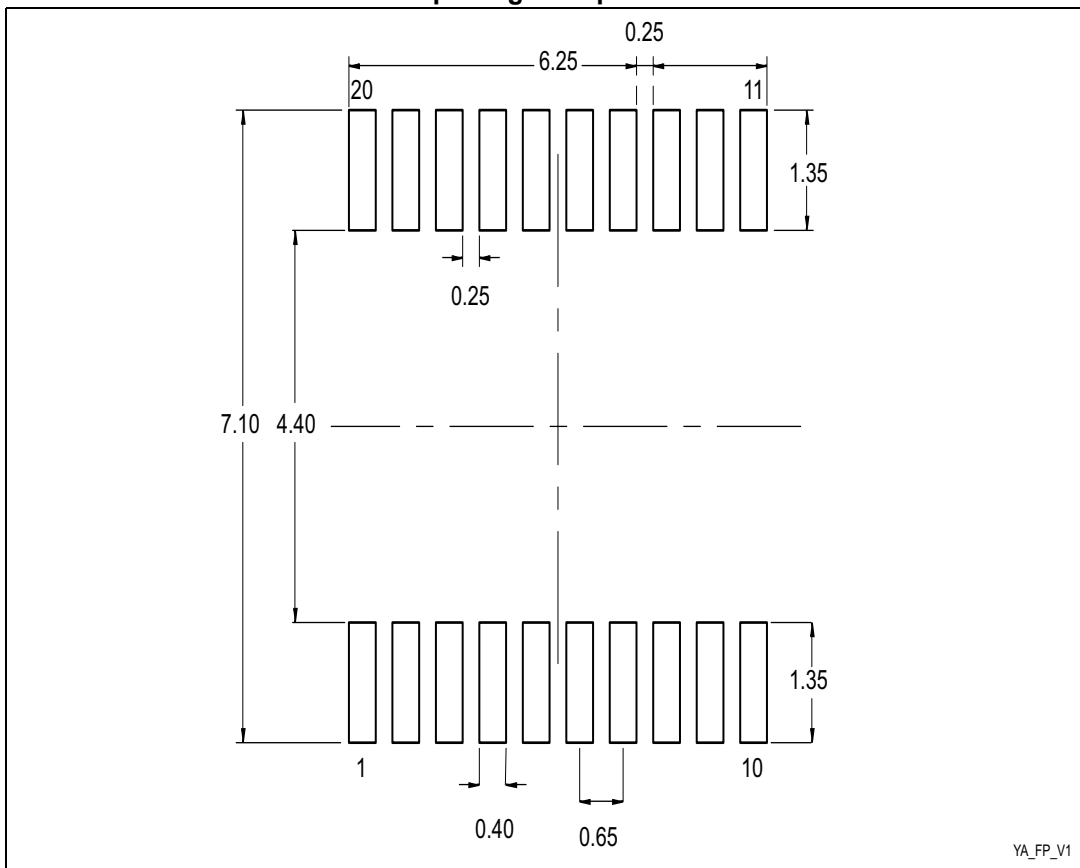
Symbol	millimeters			inches <sup>(1)</sup>		
	Min.	Typ.	Max.	Min.	Typ.	Max.
A	-	-	1.200	-	-	0.0472
A1	0.050	-	0.150	0.0020	-	0.0059
A2	0.800	1.000	1.050	0.0315	0.0394	0.0413
b	0.190	-	0.300	0.0075	-	0.0118
c	0.090	-	0.200	0.0035	-	0.0079
D <sup>(2)</sup>	6.400	6.500	6.600	0.2520	0.2559	0.2598
E	6.200	6.400	6.600	0.2441	0.2520	0.2598
E1 <sup>(3)</sup>	4.300	4.400	4.500	0.1693	0.1732	0.1772
e	-	0.650	-	-	0.0256	-
L	0.450	0.600	0.750	0.0177	0.0236	0.0295
L1	-	1.000	-	-	0.0394	-

**Table 76. TSSOP20 – 20-lead thin shrink small outline, 6.5 x 4.4 mm, 0.65 mm pitch, package mechanical data (continued)**

Symbol	millimeters			inches <sup>(1)</sup>		
	Min.	Typ.	Max.	Min.	Typ.	Max.
k	0°	-	8°	0°	-	8°
aaa	-	-	0.100	-	-	0.0039

1. Values in inches are converted from mm and rounded to four decimal digits.
2. Dimension "D" does not include mold flash, protrusions or gate burrs. Mold flash, protrusions or gate burrs shall not exceed 0.15mm per side.
3. Dimension "E1" does not include interlead flash or protrusions. Interlead flash or protrusions shall not exceed 0.25mm per side.

**Figure 53. TSSOP20 – 20-lead thin shrink small outline, 6.5 x 4.4 mm, 0.65 mm pitch, package footprint**



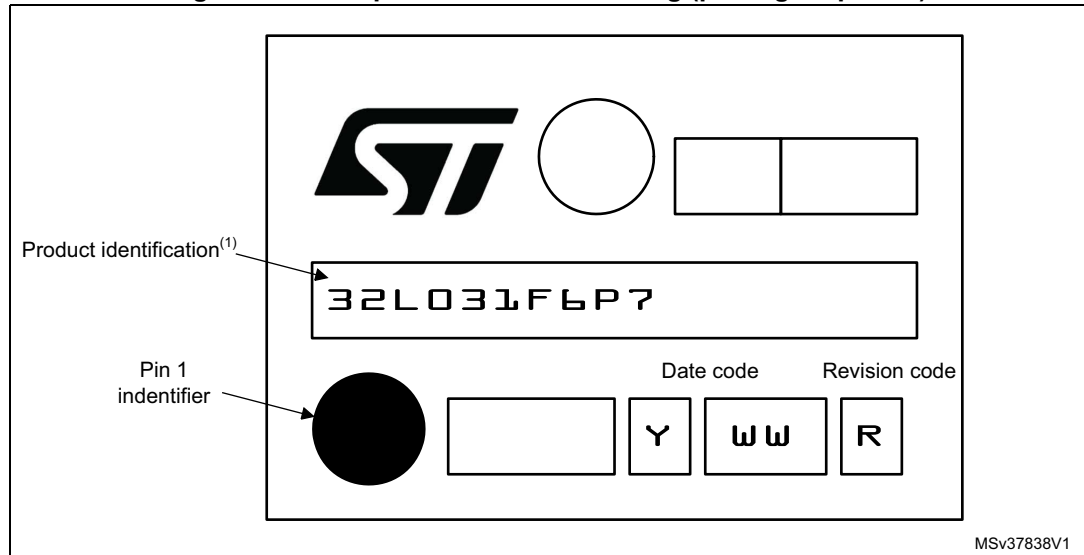
1. Dimensions are expressed in millimeters.

**TSSOP20 device marking**

The following figure gives an example of topside marking versus pin 1 position identifier location.

Other optional marking or inset/upset marks, which depends assembly location, are not indicated below.

**Figure 54. Example of TSSOP20 marking (package top view)**



1. Parts marked as “ES”, “E” or accompanied by an Engineering Sample notification letter, are not yet qualified and therefore not yet ready to be used in production and any consequences deriving from such usage will not be at ST charge. In no event, ST will be liable for any customer usage of these engineering samples in production. ST Quality has to be contacted prior to any decision to use these Engineering samples to run qualification activity.

## 7.8 Thermal characteristics

The maximum chip-junction temperature,  $T_J \text{ max}$ , in degrees Celsius, may be calculated using the following equation:

$$T_J \text{ max} = T_A \text{ max} + (P_D \text{ max} \times \Theta_{JA})$$

Where:

- $T_A \text{ max}$  is the maximum ambient temperature in °C,
- $\Theta_{JA}$  is the package junction-to-ambient thermal resistance, in °C/W,
- $P_D \text{ max}$  is the sum of  $P_{INT} \text{ max}$  and  $P_{I/O} \text{ max}$  ( $P_D \text{ max} = P_{INT} \text{ max} + P_{I/O} \text{ max}$ ),
- $P_{INT} \text{ max}$  is the product of  $I_{DD}$  and  $V_{DD}$ , expressed in Watts. This is the maximum chip internal power.

$P_{I/O} \text{ max}$  represents the maximum power dissipation on output pins where:

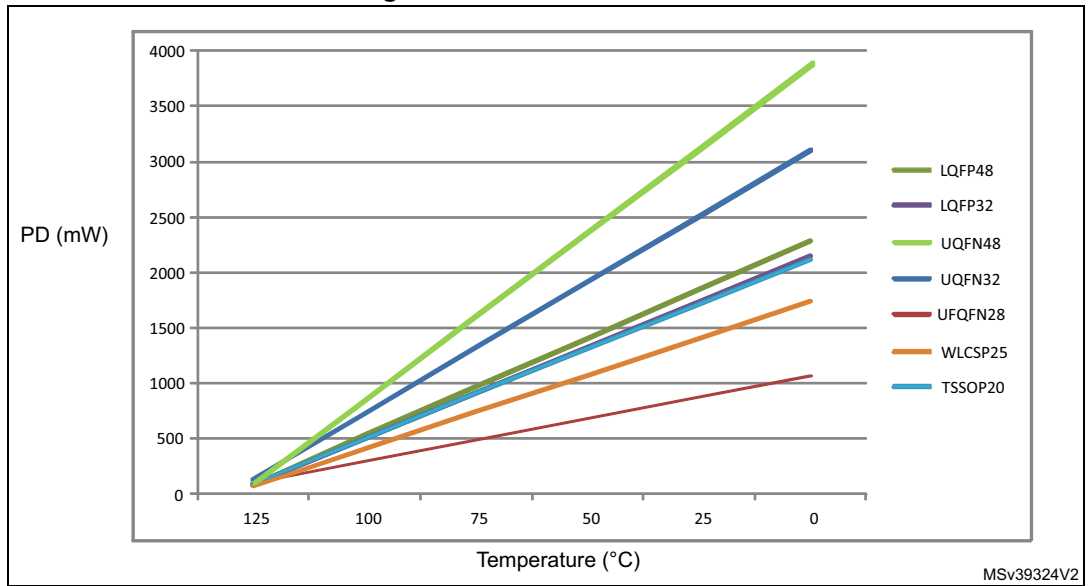
$$P_{I/O} \text{ max} = \Sigma (V_{OL} \times I_{OL}) + \Sigma (V_{DD} - V_{OH}) \times I_{OH},$$

taking into account the actual  $V_{OL} / I_{OL}$  and  $V_{OH} / I_{OH}$  of the I/Os at low and high level in the application.

**Table 77. Thermal characteristics**

Symbol	Parameter	Value	Unit
$\Theta_{JA}$	Thermal resistance junction-ambient LQFP48 - 7 x 7 mm / 0.5 mm pitch	57	°C/W
	Thermal resistance junction-ambient UFQFPN48 - 7 x 7 mm / 0.5 mm pitch	32	
	Thermal resistance junction-ambient LQFP32 - 7 x 7 mm / 0.8 mm pitch	60	
	Thermal resistance junction-ambient UFQFPN32 - 5 x 5 mm / 0.5 mm pitch	39	
	Thermal resistance junction-ambient UFQFPN28 - 4 x 4 mm / 0.5 mm pitch	120	
	Thermal resistance junction-ambient WLCSP25 - 0.4 mm pitch	70	
	Thermal resistance junction-ambient TSSOP20 - 169 mils	60	

Figure 55. Thermal resistance



1. The above curves are valid for range 3. For range 7, the curves are shifted by 20 °C to the right.

### 7.8.1 Reference document

JESD51-2 Integrated Circuits Thermal Test Method Environment Conditions - Natural Convection (Still Air). Available from <http://www.jedec.org>.

# 8 Ordering information

**Table 78. STM32L031x4/6 ordering information scheme**

Example:	STM32	L	031	K	6	T	6	D	TR
Device family	STM32 = Arm-based 32-bit microcontroller								
Product type	L = Low power								
Device subfamily	031 = Access line								
Pin count	C = 48 pins K = 32 pins G = 28 pins E = 25 pins F = 20 pins								
Flash memory size	4 = 16 Kbytes 6 = 32 Kbytes								
Package	T = LQFP U = UFQFPN Y = WLCSP P = TSSOP								
Temperature range	6 = Industrial temperature range, -40 to 85 °C 7 = Industrial temperature range, -40 to 105 °C 3 = Industrial temperature range, -40 to 125 °C								
Number of UFQFPN28 power pairs	S = one power pair <sup>(1)</sup> No character = Two power pairs								
Options	No character = V <sub>DD</sub> range: 1.8 to 3.6 V and BOR enabled D = V <sub>DD</sub> range: 1.65 to 3.6 V and BOR disabled								
Packing	TR = tape and reel No character = tray or tube								

1. This option is available only on STM32L031GxUxS part number. Contact your nearest ST sales office for availability.

For a list of available options (speed, package, etc.) or for further information on any aspect of this device, please contact your nearest ST sales office.





## 9 Revision history

**Table 79. Document revision history**

Date	Revision	Changes
18-Sep-2015	1	Initial release.
22-Oct-2015	2	<p>Datasheet status changed to production data. Updated power consumption in run mode on cover page.</p> <p>Updated <a href="#">Table 5: Functionalities depending on the working mode (from Run/active down to standby)</a>.</p> <p>Modified <a href="#">Figure 7: STM32L031x4/6 UFQFPN28 pinout</a> and <a href="#">Table 15: Pin definitions</a>.</p> <p>Updated power dissipation (<math>P_D</math>) in <a href="#">Table 20: General operating conditions</a>.</p> <p>Updated current consumption with all peripherals enabled in <a href="#">Table 34: Peripheral current consumption in Run or Sleep mode</a> and <a href="#">Table 35: Peripheral current consumption in Stop and Standby mode</a>. Modified <math>t_{WSTOP}</math> for <math>f_{HCLK}=65</math> MHz in <a href="#">Table 36: Low-power mode wakeup timings</a>.</p> <p>Updated <a href="#">Table 24: Current consumption in Run mode, code with data processing running from Flash memory</a>, <a href="#">Table 25: Current consumption in Run mode vs code type, code with data processing running from Flash memory</a>, <a href="#">Figure 15: <math>I_{DD}</math> vs <math>V_{DD}</math>, at <math>T_A= 25/55/85/105</math> °C, Run mode, code running from Flash memory, Range 2, HSE = 16 MHz, 1WS</a> and <a href="#">Figure 16: <math>I_{DD}</math> vs <math>V_{DD}</math>, at <math>T_A= 25/55/85/105</math> °C, Run mode, code running from Flash memory, Range 2, HSI16, 1WS</a>.</p> <p>Updated <a href="#">Table 26: Current consumption in Run mode, code with data processing running from RAM</a> and <a href="#">Table 27: Current consumption in Run mode vs code type, code with data processing running from RAM</a>, <a href="#">Table 28: Current consumption in Sleep mode</a>.</p> <p>Updated <a href="#">Table 29: Current consumption in Low-power run mode</a> and <a href="#">Figure 17: <math>I_{DD}</math> vs <math>V_{DD}</math>, at <math>T_A= 25/55/ 85/105/125</math> °C, Low-power run mode, code running from RAM, Range 3, MSI (Range 0) at 64 KHz, 0 WS</a>. Updated <a href="#">Table 30: Current consumption in Low-power sleep mode</a>.</p> <p>Updated <a href="#">Table 31: Typical and maximum current consumptions in Stop mode</a>, <a href="#">Table 32: Typical and maximum current consumptions in Standby mode</a>, <a href="#">Figure 18: <math>I_{DD}</math> vs <math>V_{DD}</math>, at <math>T_A= 25/55/ 85/105/125</math> °C, Stop mode with RTC enabled and running on LSE Low drive</a> and <a href="#">Figure 19: <math>I_{DD}</math> vs <math>V_{DD}</math>, at <math>T_A= 25/55/85/105/125</math> °C, Stop mode with RTC disabled, all clocks off</a>.</p> <p>Updated <a href="#">Table 48: EMS characteristics</a> and <a href="#">Table 49: EMI characteristics</a>.</p>

Table 79. Document revision history

Date	Revision	Changes
01-Feb-2016	3	<p>Updated number of SPI interfaces on cover page and in <a href="#">Table 2: Ultra-low-power STM32L031x4/x6 device features and peripheral counts</a>.</p> <p>Updated number of GPIOs for devices in UFQFPN28 in <a href="#">Table 2: Ultra-low-power STM32L031x4/x6 device features and peripheral counts</a>.</p> <p>Updated <a href="#">Section 3.4.4: Boot modes</a>.</p> <p>Updated <a href="#">Section 3.16.2: Universal synchronous/asynchronous receiver transmitter (USART)</a> and <a href="#">Section 3.16.4: Serial peripheral interface (SPI)</a> to mention the fact that USARTs with synchronous mode feature can be used as SPI master interfaces.</p> <p>Modified pin 2 in <a href="#">Figure 6: STM32L031x4/6 UFQFPN32 pinout</a>.</p> <p>Added <a href="#">Figure 8: STM32L031 UFQFPN28 pinout</a>.</p> <p><a href="#">Table 15: Pin definitions</a>:</p> <ul style="list-style-type: none"> <li>– Added UFQFPN28 for STM32L031GxUxS part number.</li> <li>– Renamed PA0-WKUP-CK_IN into PA0-CK_IN</li> <li>– Renamed PA0-WKUP into PA0</li> </ul> <p>Updated <a href="#">Table 18: Current characteristics</a> to add the total output current for STM32L031GxUxS.</p> <p>Added one power pair option in <a href="#">Table 78: STM32L031x4/6 ordering information scheme</a>.</p>

Table 79. Document revision history

Date	Revision	Changes
05-Apr-2016	4	<p><i>Features:</i></p> <ul style="list-style-type: none"> <li>– Change minimum comparator supply voltage to 1.65 V.</li> <li>– Updated current consumptions in Standby, Stop and Stop with RTC ON modes.</li> </ul> <p>Updated number of GPIOs for STM32L031GxUxS in <a href="#">Table 2: Ultra-low-power STM32L031x4/x6 device features and peripheral counts</a>.</p> <p>Removed note related to preliminary consumption values in <a href="#">Table 5: Functionalities depending on the working mode (from Run/active down to standby)</a>.</p> <p>Added number of fast and standard channels in <a href="#">Section 3.11: Analog-to-digital converter (ADC)</a>.</p> <p>Added baudrate allowing to wake up the MCU from Stop mode in <a href="#">Section 3.16.2: Universal synchronous/asynchronous receiver transmitter (USART)</a> and <a href="#">Section 3.16.3: Low-power universal asynchronous receiver transmitter (LPUART)</a>.</p> <p>Changed <math>V_{DDA}</math> minimum value to 1.65 V in <a href="#">Table 20: General operating conditions</a>.</p> <p>Added <math>I_{REFINT}</math> value for <math>V_{DD}=1.8</math> V in <a href="#">Table 35: Peripheral current consumption in Stop and Standby mode</a>.</p> <p><a href="#">Section 6.3.15: 12-bit ADC characteristics:</a></p> <ul style="list-style-type: none"> <li>– <a href="#">Table 57: ADC characteristics:</a> <ul style="list-style-type: none"> <li>Distinction made between <math>V_{DDA}</math> for fast and standard channels; added note 1.</li> <li>Added note 4. related to <math>R_{ADC}</math>.</li> <li>Updated <math>t_S</math> and <math>t_{CONV}</math>.</li> </ul> </li> <li>– Updated <a href="#">Table 58: RAIN max for <math>f_{ADC} = 16</math> MHz</a> for <math>f_{ADC} = 16</math> MHz and distinction made between fast and standard channels.</li> </ul> <p>Added <a href="#">Table 66: USART/LPUART characteristics</a>.</p>

Table 79. Document revision history

Date	Revision	Changes
26-Sep-2017	5	<p>Added UFQFPN48 package.</p> <p>Removed column "I/O operation" from <a href="#">Table 3: Functionalities depending on the operating power supply range</a> and added note related to GPIO speed.</p> <p>In <a href="#">Section 4: Pin descriptions</a>, changed USARTx_RTS and LPUARTx_RTS into USARTx_RTS_DE and LPUARTx_RTS_DE, respectively.</p> <p>In <a href="#">Section 5: Memory mapping</a>, replaced memory mapping schematic by reference to the reference manual.</p> <p>Removed note related to WLCSP25 preliminary ballout in <a href="#">Table 15: Pin definitions</a>.</p> <p>Updated introduction text in <a href="#">Section 6.2: Absolute maximum ratings</a> to mention device mission profile and extended mission profiles.</p> <p>Added note in <a href="#">Table 52: I/O current injection susceptibility</a>.</p> <p>Updated minimum and maximum values of I/O weak pull-up equivalent resistor (<math>R_{PU}</math>) and weak pull-down equivalent resistor (<math>R_{PD}</math>) in <a href="#">Table 53: I/O static characteristics</a>.</p> <p>Updated minimum and maximum values of NRST weak pull-up equivalent resistor (<math>R_{PU}</math>) in <a href="#">Table 56: NRST pin characteristics</a>.</p> <p>Added note 2. related to the position of the external capacitor below <a href="#">Figure 28: Recommended NRST pin protection</a>.</p> <p>Updated <a href="#">Section : I2C interface characteristics</a>.</p> <p>Updated <a href="#">Figure 31: SPI timing diagram - slave mode and CPHA = 0</a>, <a href="#">Figure 32: SPI timing diagram - slave mode and CPHA = 1(1)</a> and <a href="#">Figure 33: SPI timing diagram - master mode(1)</a>.</p> <p>Suppressed section <a href="#">USART/LPUART characteristics</a>.</p> <p>Added reference to optional marking or inset/upset marks in all package device marking sections.</p> <p>Updated <a href="#">Figure 36: Example of LQFP48 marking (package top view)</a> and <a href="#">Table 69: LQFP48 - 48-pin low-profile quad flat package, 7 x 7 mm, package mechanical data</a>.</p> <p>Updated <a href="#">Table 71: LQFP32, 7 x 7 mm, 32-pin low-profile quad flat package mechanical data</a>.</p> <p>Updated <a href="#">Figure 43: UFQFPN32 - 32-pin, 5x5 mm, 0.5 mm pitch ultra thin fine pitch quad flat package outline</a> and <a href="#">Table 72: UFQFPN32 - 32-pin, 5x5 mm, 0.5 mm pitch ultra thin fine pitch quad flat package mechanical data</a>.</p> <p>Updated <a href="#">Table 74: WLCSP25 - 2.097 x 2.493 mm, 0.400 mm pitch wafer level chip scale mechanical data</a>.</p> <p>Added notes related to D and E1 in <a href="#">Table 76: TSSOP20 – 20-lead thin shrink small outline, 6.5 x 4.4 mm, 0.65 mm pitch, package mechanical data</a>.</p> <p>Updated <a href="#">Figure 55: Thermal resistance</a> as well as the corresponding temperature range in the note below the figure.</p> <p>Renamed <a href="#">Section 8</a> into Ordering information.</p>

Table 79. Document revision history

Date	Revision	Changes
01-Mar-2018	6	<p>Added Arm logo in <a href="#">Section 1: Introduction</a> and removed USB and Cortex logo from <a href="#">Section 2: Description</a>.</p> <p>Changed RTS into RTS/DE in <a href="#">Figure 1: STM32L031x4/6 block diagram</a>. Changed USART2_RTS and USART2_RTS_DE into USART2_RTS/USART2_DE, and LPUART1_RTS and LPUART1_RTS_DE into LPUART1_RTS/LPUART1_DE in <a href="#">Table 15: Pin definitions</a> and <a href="#">Table 16: Alternate functions</a>.</p> <p>Updated I2C in <a href="#">Table 5: Functionalities depending on the working mode (from Run/active down to standby)</a>.</p> <p>Updated <a href="#">Figure 36: Example of LQFP48 marking (package top view)</a>. Added <a href="#">Figure 39: Example of UFQFPN48 marking (package top view)</a>. Updated <a href="#">Figure 42: Example of LQFP32 marking (package top view)</a>, <a href="#">Figure 45: Example of UFQFPN32 marking (package top view)</a> and <a href="#">Figure 48: Example of UFQFPN28 marking (package top view)</a>.</p> <p>Updated <a href="#">Table 72: UFQFPN32 - 32-pin, 5x5 mm, 0.5 mm pitch ultra thin fine pitch quad flat package mechanical data</a>.</p>

**IMPORTANT NOTICE – PLEASE READ CAREFULLY**

STMicroelectronics NV and its subsidiaries (“ST”) reserve the right to make changes, corrections, enhancements, modifications, and improvements to ST products and/or to this document at any time without notice. Purchasers should obtain the latest relevant information on ST products before placing orders. ST products are sold pursuant to ST’s terms and conditions of sale in place at the time of order acknowledgement.

Purchasers are solely responsible for the choice, selection, and use of ST products and ST assumes no liability for application assistance or the design of Purchasers’ products.

No license, express or implied, to any intellectual property right is granted by ST herein.

Resale of ST products with provisions different from the information set forth herein shall void any warranty granted by ST for such product.

ST and the ST logo are trademarks of ST. All other product or service names are the property of their respective owners.

Information in this document supersedes and replaces information previously supplied in any prior versions of this document.

© 2018 STMicroelectronics – All rights reserved

# Mouser Electronics

Authorized Distributor

Click to View Pricing, Inventory, Delivery & Lifecycle Information:

## STMicroelectronics:

[STM32L031K6T7](#) [STM32L031C6T7](#) [STM32L031E4Y6TR](#) [STM32L031E6Y6TR](#) [STM32L031G4U6](#)  
[STM32L031G6U7](#) [STM32L031F6P7](#) [STM32L031K6T6](#) [STM32L031F4P6](#) [STM32L031K4U6TR](#) [STM32L031C4T6](#)  
[STM32L031K4U6](#) [STM32L031G6U6](#) [STM32L031K6U7](#) [STM32L031F6P6](#) [STM32L031E6Y6DTR](#)  
[STM32L031K6U6TR](#) [STM32L031F4P3](#) [STM32L031G6U6TR](#) [STM32L031K6U6](#) [STM32L031C6T7D](#)  
[STM32L031K6T6TR](#) [STM32L031C6T6](#) [STM32L031G6U7STR](#) [STM32L031F6P6TR](#) [STM32L031G6U6S](#)  
[STM32L031F6P7TR](#) [STM32L031G6U3TR](#) [STM32L031G6U3](#) [STM32L031G4U6TR](#)