

3 A / 2.3 MHz step-down synchronous switching regulator based on the AST1S31HF in a DFN 3x3 package

Data brief



Description

The STEVAL-ISA160V1 evaluation board is based on the AST1S31HF internally compensated 2.3 MHz fixed-frequency PWM synchronous step-down regulator.

The device operates on a 2.8 V to 4.0 V input voltage and provides a regulated output voltage from as low as 0.8 V up to V_{in} .

The peak current mode control with internal compensation delivers a very compact solution with a minimum component count.

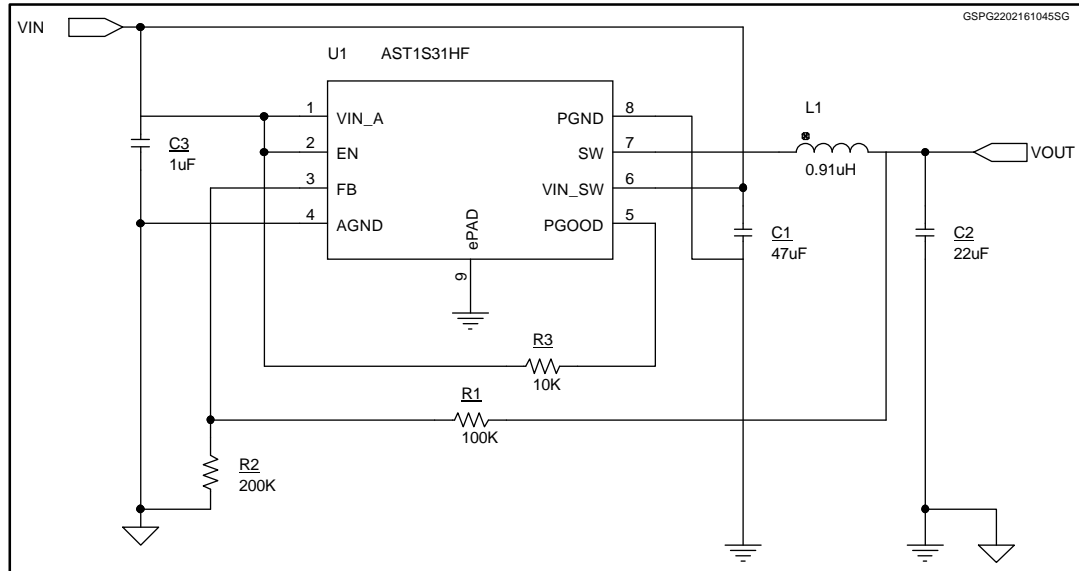
All the components on the evaluation board are automotive grade.

Features

- AECQ100 qualification
- 3 A DC output current
- 2.8 V to 4 V input voltage
- Output voltage adjustable from 0.8 V
- 2.3 MHz switching frequency
- Internal soft-start and enable
- Integrated 70 m Ω and 55 m Ω power MOSFETs
- All ceramic capacitor
- Power good (POR)
- Cycle by cycle current limiting
- Current fold back short circuit protection
- VFDFPN 3x3 - 8L package
- RoHS compliant

1 Schematic diagram

Figure 1: STEVAL-ISA160V1 circuit schematic



2 Revision history

Table 1: Document revision history

Date	Version	Changes
25-Feb-2016	1	Initial release.

IMPORTANT NOTICE – PLEASE READ CAREFULLY

STMicroelectronics NV and its subsidiaries ("ST") reserve the right to make changes, corrections, enhancements, modifications, and improvements to ST products and/or to this document at any time without notice. Purchasers should obtain the latest relevant information on ST products before placing orders. ST products are sold pursuant to ST's terms and conditions of sale in place at the time of order acknowledgement.

Purchasers are solely responsible for the choice, selection, and use of ST products and ST assumes no liability for application assistance or the design of Purchasers' products.

No license, express or implied, to any intellectual property right is granted by ST herein.

Resale of ST products with provisions different from the information set forth herein shall void any warranty granted by ST for such product.

ST and the ST logo are trademarks of ST. All other product or service names are the property of their respective owners.

Information in this document supersedes and replaces information previously supplied in any prior versions of this document.

© 2016 STMicroelectronics – All rights reserved

Mouser Electronics

Authorized Distributor

Click to View Pricing, Inventory, Delivery & Lifecycle Information:

[STMicroelectronics:](#)

[STEVAL-ISA160V1](#)