

L3GD20 versus L3G4200D

Application hints to upgrade to L3GD20



Upgrading your application



- The L3GD20 is the latest generation of MEMS gyroscopes
- The purpose of this presentation is to indicate how to upgrade your application from the L3G4200D to the L3GD20

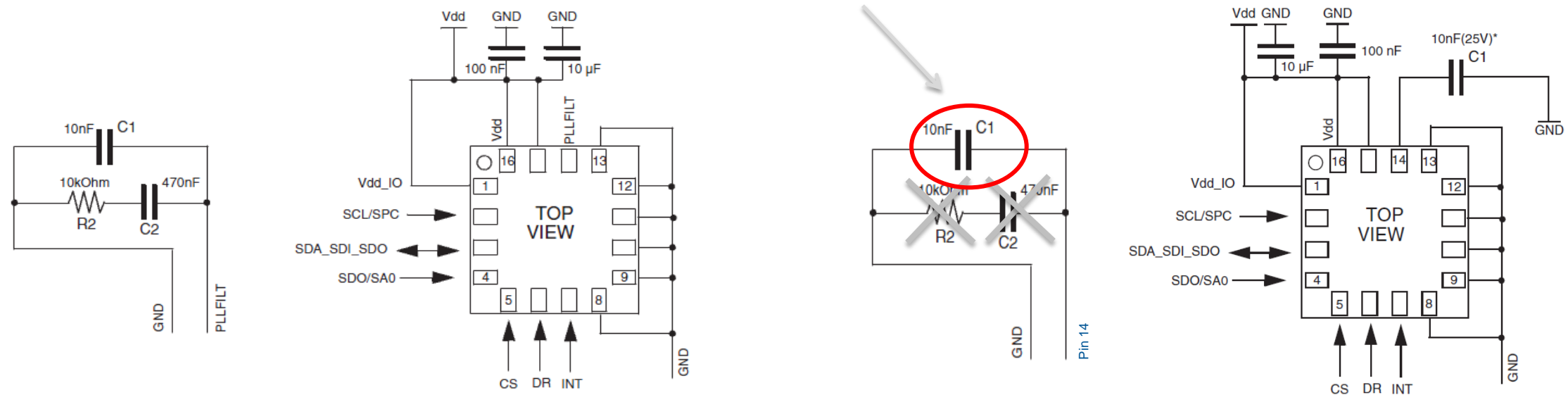
External circuit requirements



L3G4200D

L3GD20

10 nF, 25 V class*

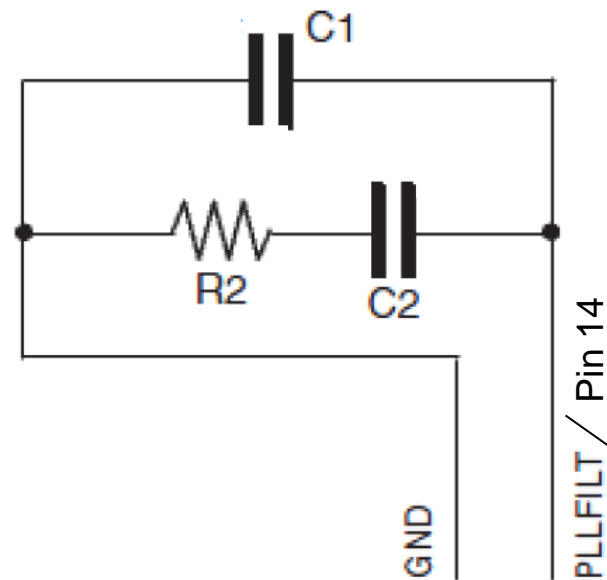


*1 nF min value must be guaranteed under 11 V bias condition

Connection differences



	L3G4200D	L3GD20
C1	10 nF	10 nF (25 V) *
R2	10 kohm	Not present
C2	470 nF	Not present



*1 nF min value must be guaranteed under 11 V bias condition

Register differences



- The L3G4200D and L3GD20 present the same register structure
- The L3G4200D and L3GD20 have different WHO_AM_I and device slave addresses (I²C)

L3GD20

- WHO_AM_I: 11010100
- Slave address: 110101xx

L3G4200D

- WHO_AM_I: 11010011
- Slave address: 110100xx

Mouser Electronics

Authorized Distributor

Click to View Pricing, Inventory, Delivery & Lifecycle Information:

[STMicroelectronics:](#)

[L3G4200D](#) [L3G4200DTR](#)