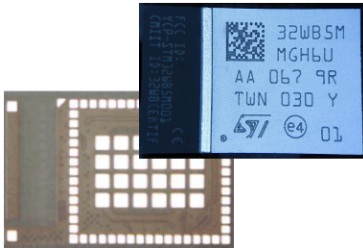


Bluetooth® Low Energy 5.0 and 802.15.4 module



These pictures are not contractual

Features

- Integrated chip antenna
- Bluetooth® Low Energy 5.0, Zigbee® 3.0, OpenThread certified
- Dynamic and static concurrent modes
- IEEE 802.15.4-2011 MAC PHY
- Supports 2 Mbits/s
- TX output power up to +6 dBm
- RX sensitivity: -96 dBm (Bluetooth® Low Energy at 1 Mbps), -100 dBm (802.15.4)
- Range: up to 75 meters
- Dedicated Arm® Cortex®-M0+ for radio and security tasks
- Dedicated Arm® Cortex®-M4 CPU with FPU and ART (adaptive real-time accelerator) up to 64 MHz speed
- 1-Mbyte Flash memory, 256-Kbyte SRAM
- Fully integrated BOM, including 32 MHz radio and 32 KHz RTC crystals
- Integrated SMPS
- Ultra-low-power modes for battery longevity
- 68 GPIOs
- SWD, JTAG
- Integrated IPD for best-in-class and reliable antenna matching
- 1.8 V to 3.6 V V_{DD} range
- -40 °C to 85 °C temperature range
- Built-in security features such as: secure firmware installation (SFI) for radio stack, customer key storage/key management services, PKA, AES 256-bit, TRNG, PCROP, CRC, 96-bit UID, possibility to derive 802.15.4 and Bluetooth® Low Energy 48-bit UEI
- Certifications: CE, FCC, IC, JRF, SRRC, RoHS, REACH, GOST, KC, NCC
- Two layers PCB compatible (using external raw pins only)

Product status link

[STM32WB5MMG](#)

Product summary

Order code	STM32WB5MMG
Temperature range	-40 °C to 85 °C
Package	LGA 86L 10x10
Package dimensions (mm)	7.3 x 11 x 1.342 x 0.435 pitch
Packaging	Tape and reel

Application

- Lighting and home automation
- Wireless audio devices
- Wellness, healthcare, personal trackers
- Gaming and toys
- Smart locks
- Beacons and accessories
- Industrial



R005-102490



CCAN20LP0740T3

1 Introduction

This datasheet provides the ordering information and mechanical device characteristics of the STM32WB5MMG module.

This document should be read in conjunction with the *Multiprotocol wireless 32-bit MCU Arm[®]-based Cortex[®]-M4 with FPU, Bluetooth[®] 5 and 802.15.4 radio solution (DS11929)* and reference manual (RM0434). The reference manual is available from the STMicroelectronics website at www.st.com.

For information on the Arm[®] Cortex[®] cores, refer to the Cortex[®] Technical Reference Manual, available from the www.arm.com website

Note: Arm is a registered trademark of Arm Limited (or its subsidiaries) in the US and/or elsewhere.



2 Description

The STM32WB5MMG is an ultra-low-power and small form factor certified 2.4GHz wireless module. It supports Bluetooth® Low Energy 5.0, Zigbee® 3.0, OpenThread, dynamic and static concurrent modes, and 802.15.4 proprietary protocols. Based on STMicroelectronics STM32WB55VGY wireless microcontroller, the STM32WB5MMG provides best-in-class RF performance thanks to its good receiver sensitivity and a high output power signal. Its low-power features enable extended battery life time, small coin-cell batteries or energy harvesting.

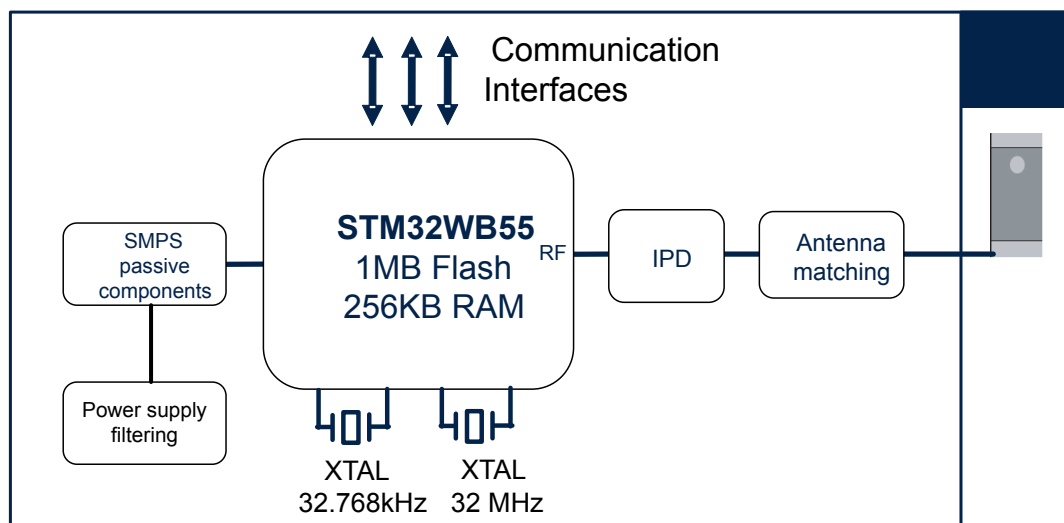
The STM32WB5MMG requires no RF expertise and is the best way to speed-up any development and to reduce associated costs. The module is completely protocol stack royalty-free.

Module overview

The module is an SiP-LGA86 package (system in package land grid array) that integrates the proven STM32WB55VGY MCU with several external components. The package includes:

- LSE crystal
- HSE crystal
- Passive components for SMPS
- Antenna matching and antenna
- IPD for RF matching and harmonics rejection

Figure 1. STM32WB5MMG module block diagram



2.1 Power supply

The power supply requirements are identical to regular STM32WB55xx and described in the datasheet. Filtering capacitors on power supply pins and components for the SMPS are already integrated into the module.

2.1.1 SMPS

The SMPS passive components fitted in the module are in configuration imposing function at 4 MHz and is always ON. This is the only available configuration. For additional information on the SMPS, check the reference manual or the application note *Usage of SMPS on STM32WB Series microcontroller (AN5246)*.

2.2 Clocks

As the crystals are already integrated into the package, it is not possible to use any clock in bypass mode. The module integrates 32.768 kHz crystal for LSE and 32 MHz crystal for the HSE clock.

- LSE must be used in high driving capability. (RCC_BDCR_LSEDRV[1:0] = 11, refer to RM0434 for more details).
- HSE is already tuned.
RCC_HSECR_HSETUNE[5:0] value is loaded automatically by HW. The RCC_HSECR register configuration must not be changed by the user to keep the default parameters.
- LSCO and MCO outputs are available.

2.3 Antenna

The rectangular module has one shorter side clearly different from the remaining finish surface. This side is unshielded and the mold cover contains the integrated antenna.

There is no option to use an external antenna.

3 Available peripherals

All peripherals available in STM32WB Series microcontrollers based on the WLCSP100 package are available and accessible on this module.

The pins on the module offer access to the following system peripherals:

- 2× DMA controllers (seven channels each) supporting ADC, SPI, I²C, USART, QSPI, SAI, AES, timers
- 1× USART (ISO 7816, IrDA, SPI master, Modbus and Smartcard mode)
- 1× LPUART (low power) – Two SPI running at 32 Mbit/s
- 2× I²C (SMBus/PMBus)
- 1× SAI (dual channel high quality audio)
- 1× USB 2.0 FS device, crystal-less, BCD and LPM
- 1× Touch sensing controller, up to 18 sensors
- 1× LCD 8x40 with step-up converter
- 1× 16-bit, four channels advanced timer
- 2× 16-bit, two channels timers
- 1× 32-bit, four channels timer
- 2× 16-bit ultra-low-power timers
- 1× independent SysTick
- 1× independent watchdog
- 1× window watchdog.

The full pin description is available in *Multiprotocol wireless 32-bit MCU Arm[®]-based Cortex[®]-M4 with FPU, Bluetooth[®] 5 and 802.15.4 radio solution (DS11929)*.

4 Pin description

The following figure shows the module pinout package bottom view.

Figure 2. STM32WB5MMG module pinout: bottom view

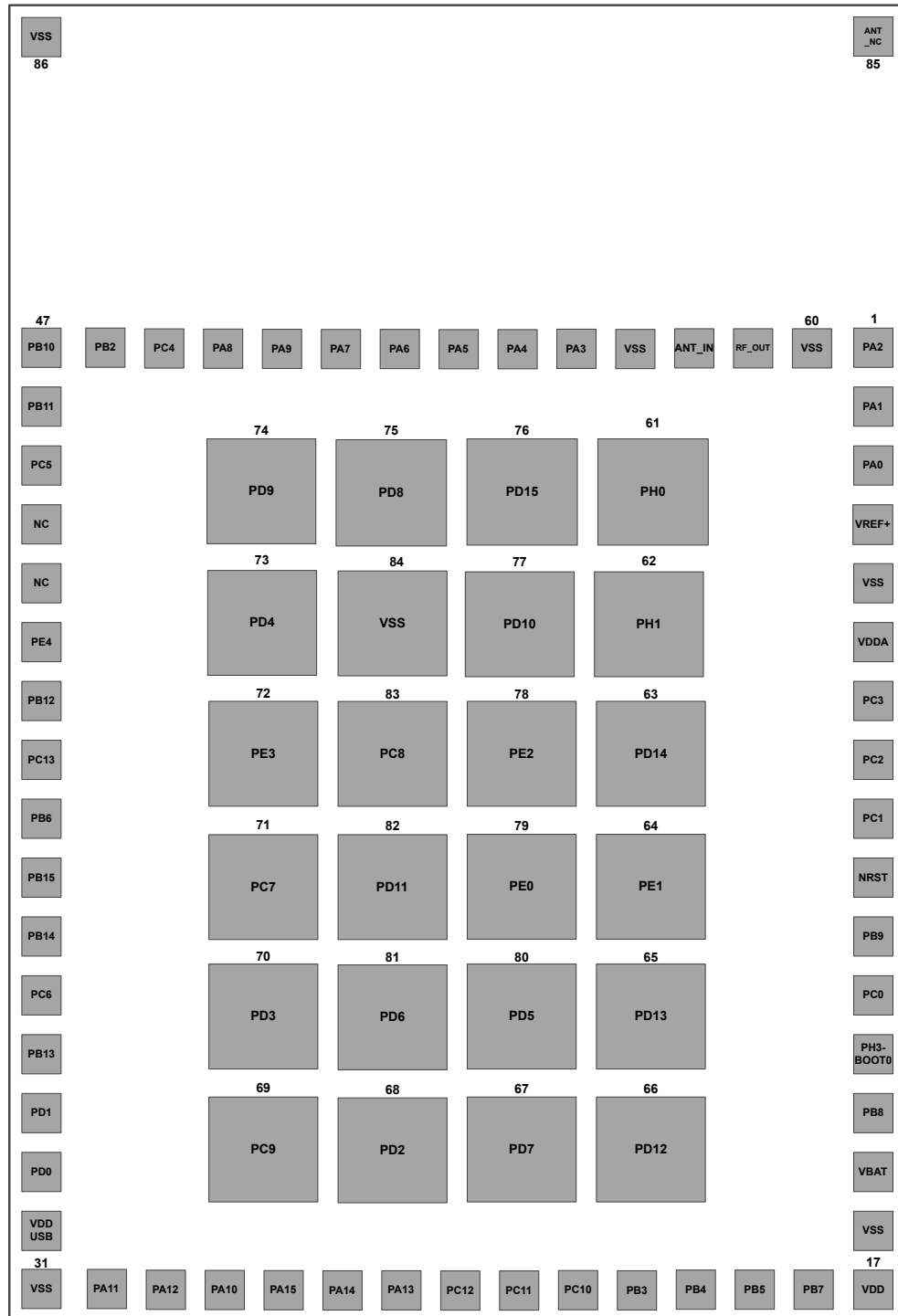


Table 1. STM32WB5MMG pin/ball definition

Pin name		Pin name (function after reset)	Pin type
STM32WB5MMG	STM32WB55VGY		
1	F6	PA2	I/O
2	G6	PA1	I/O
3	G7	PA0	I/O
4	H8	VREF+	S
5	J9	VSS	S
6	H9	VDDA	S
7	G10	PC3	I/O
8	G9	PC2	I/O
9	G8	PC1	I/O
10	F9	NRST	I/O
11	F10	PB9	I/O
12	F8	PC0	I/O
13	E8	PH3-BOOT0	I/O
14	F7	PB8	I/O
15	C10	VBAT	S
16	F1	VSS	S
17	D1	VDD	S
18	D7	PB7	I/O
19	D6	PB5	I/O
20	C7	PB4	I/O
21	A9	PB3	I/O
22	A6	PC10	I/O
23	B6	PC11	I/O
24	C5	PC12	I/O
25	A5	PA13	I/O
26	A3	PA14	I/O
27	A4	PA15	I/O
28	B5	PA10	I/O
29	A2	PA12	I/O
30	A1	PA11	I/O
31	-	VSS	S
32	B3	VDDUSB	S
33	C4	PD0	I/O
34	C3	PD1	I/O
35	C1	PB13	I/O
36	D2	PC6	I/O
37	E2	PB14	I/O
38	F3	PB15	I/O
39	F5	PB6	I/O
40	G5	PC13	I/O
41	G3	PB12	I/O
42	G1	PE4	I/O
43	NC	PB0	NC
44	NC	PB1	NC
45	H5	PC5	I/O

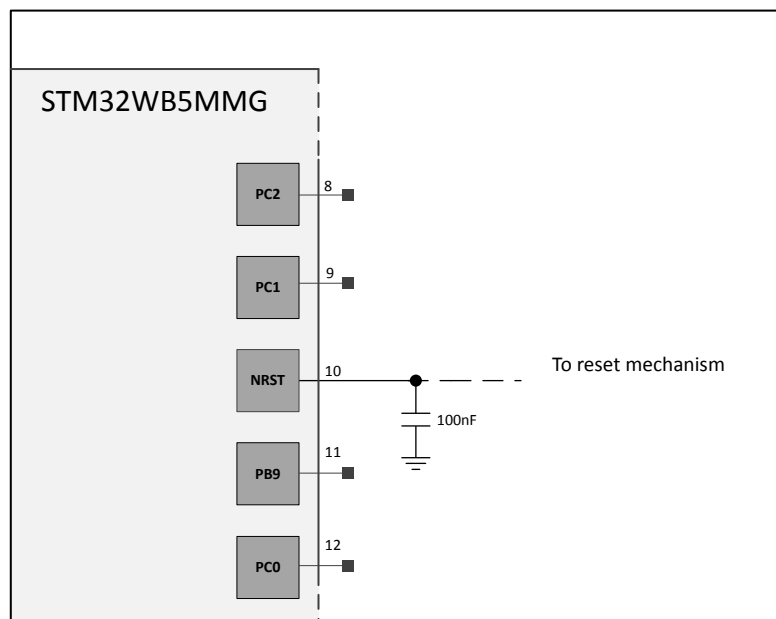
Pin name		Pin name (function after reset)	Pin type
STM32WB5MMG	STM32WB5VGY		
46	J6	PB11	I/O
47	K6	PB10	I/O
48	K7	PB2	I/O
49	G4	PC4	I/O
50	J7	PA8	I/O
51	K8	PA9	I/O
52	H6	PA7	I/O
53	H7	PA6	I/O
54	K9	PA5	I/O
55	K10	PA4	I/O
56	J8	PA3	I/O
57	-	VSS	S
58	-	ANT_IN	-
59	-	RF_OUT	-
60	-	VSS	S
61	E10	PH0	I/O
62	E9	PH1	I/O
63	D8	PD14	I/O
64	B10	PE1	I/O
65	C9	PD13	I/O
66	B8	PD12	I/O
67	A8	PD7	I/O
68	A7	PD2	I/O
69	B4	PC9	I/O
70	C2	PD3	I/O
71	E3	PC7	I/O
72	G2	PE3	I/O
73	D3	PD4	I/O
74	D5	PD9	I/O
75	D4	PD8	I/O
76	E7	PD15	I/O
77	E4	PD10	I/O
78	E6	PE2	I/O
79	C8	PE0	I/O
80	B7	PD5	I/O
81	C6	PD6	I/O
82	E5	PD11	I/O
83	F4	PC8	I/O
84	-	VSS	S
85	-	ANT_NC	-
86	-	VSS	S

5 Recommendations

5.1 Pin recommendations

- ANT_IN and RF_OUT pins must be connected to GND. This module already integrates an antenna, so no external antenna required.
- The ANT_NC is only used for soldering planarity purposes. So this pin must be soldered to an unconnected pin on the customer board.
- A reset pull-up is already implemented in the STM32WB Series microcontrollers. The reset circuitry only requires an external capacitor for filtering purpose (see [Figure 3](#)).

Figure 3. Reset circuit

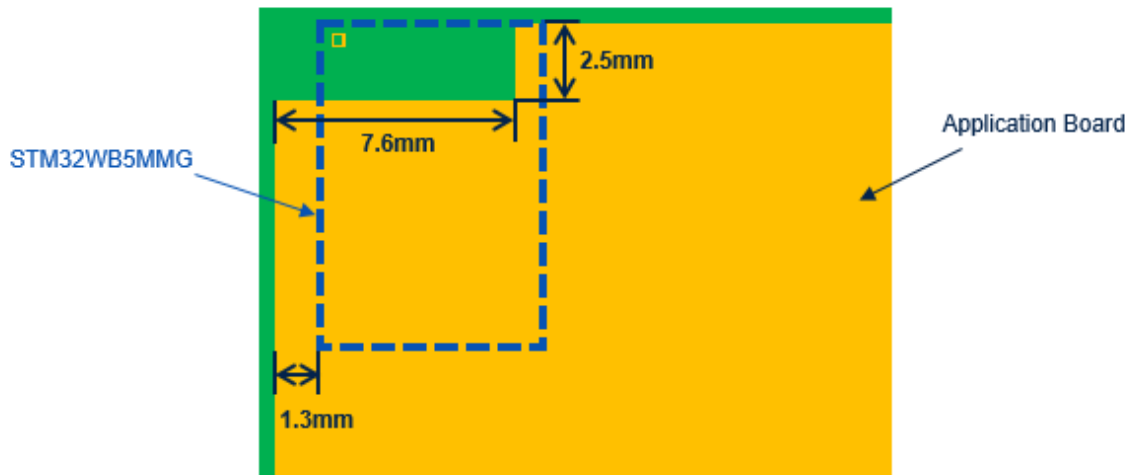


5.2 Layout recommendations

5.2.1 STM32WB5MMG placement

The embedded antenna manufacturer of the STM32WB5MMG recommends to place the module on the application board as shown below.

Figure 4. STM32WB5MMG board placement



This position allows the antenna to work to its maximum performance. If it cannot be placed as recommended above, the application board performance is reduced. This does not, however, prevent correct operation.

5.2.2 Enclosure effects

Product casing properties must be also considered when designing an RF-enabled product as the following generic best practices list illustrated:

- Conductive enclosure in the near field affects the impedance of the antenna, also the resonant frequency. A metal case must not be in the near field. The threshold between near and far-field is provided in Figure 5.
- Plastic enclosures can be close to the antenna, but must not touch it. Contact between the casing and the antenna may influence the tuning of the resonant frequency and impedance matching.
- The proximity of the human body attenuates the TX and RX signals due to a certain amount of water content. Any contact may untune frequency and impedance matching.

Figure 5. Conductive enclosure around the antenna

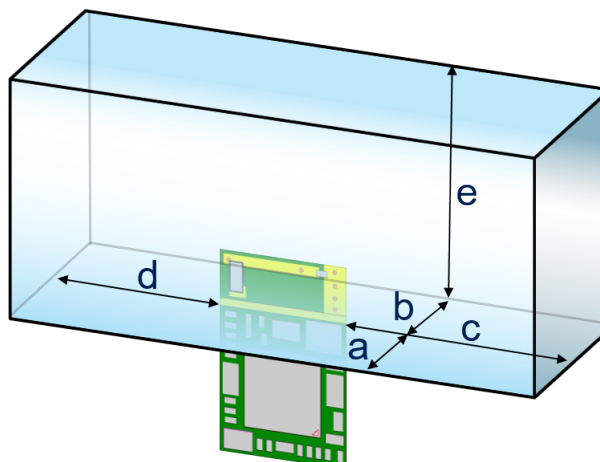


Table 2. Minimum enclosure dimensions (mm)

Impact level	a	b	c	d	e
Impact threshold	46	60	27	23	17
High impact	13	24	3	8	5

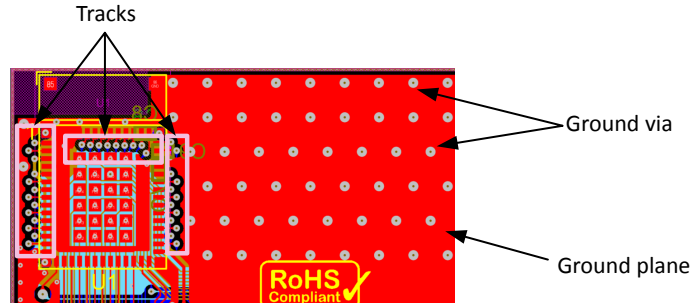
Note: Impact is determined by measuring the reflection losses in the appropriate direction. In case conductive material is present from other directions, the distances mentioned in [Table 2](#) become larger. It means the same impact is observed further from module.

5.2.3 Ground plane

Here are some recommendations with respect to the ground plane design:

- Do not route any tracks to the right of the STM32WB5MMG and keep a large ground plane with the associated ground via.
- Route the tracks down directly on the top layer or with via to the other layers.
- The ground plane must include the presence of vias (distance between two vias = 2 mm).

Figure 6. STM32WB5MMG ground plane layout



5.2.4 Sensitive GPIOs

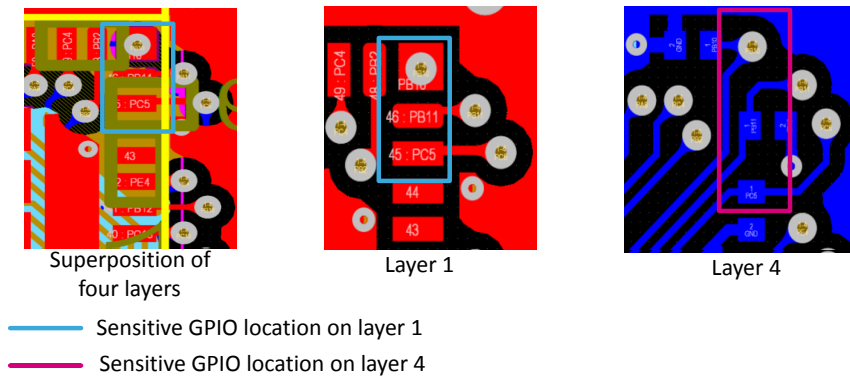
This board contains three sensitive GPIOs as defined below:

- PB10
- PB11
- PC5

The GPIO locations are illustrated in Figure 7

It is recommended to add a 3.3 pF capacitor in a small package (0201 or smaller) as close as possible to PB10, PB11 and PC5 outputs of the STM32WB5MMG and also to border the GPIO tracks with ground.

Figure 7. Sensitive GPIO location



5.2.5 Four layer reference board design

The reference schematics are illustrated in Figure 8 and the associated PCB layout is illustrated in Figure 9. By using all the pads, the mother board must be designed with 4 layers.

Figure 8. Four layer reference board schematics

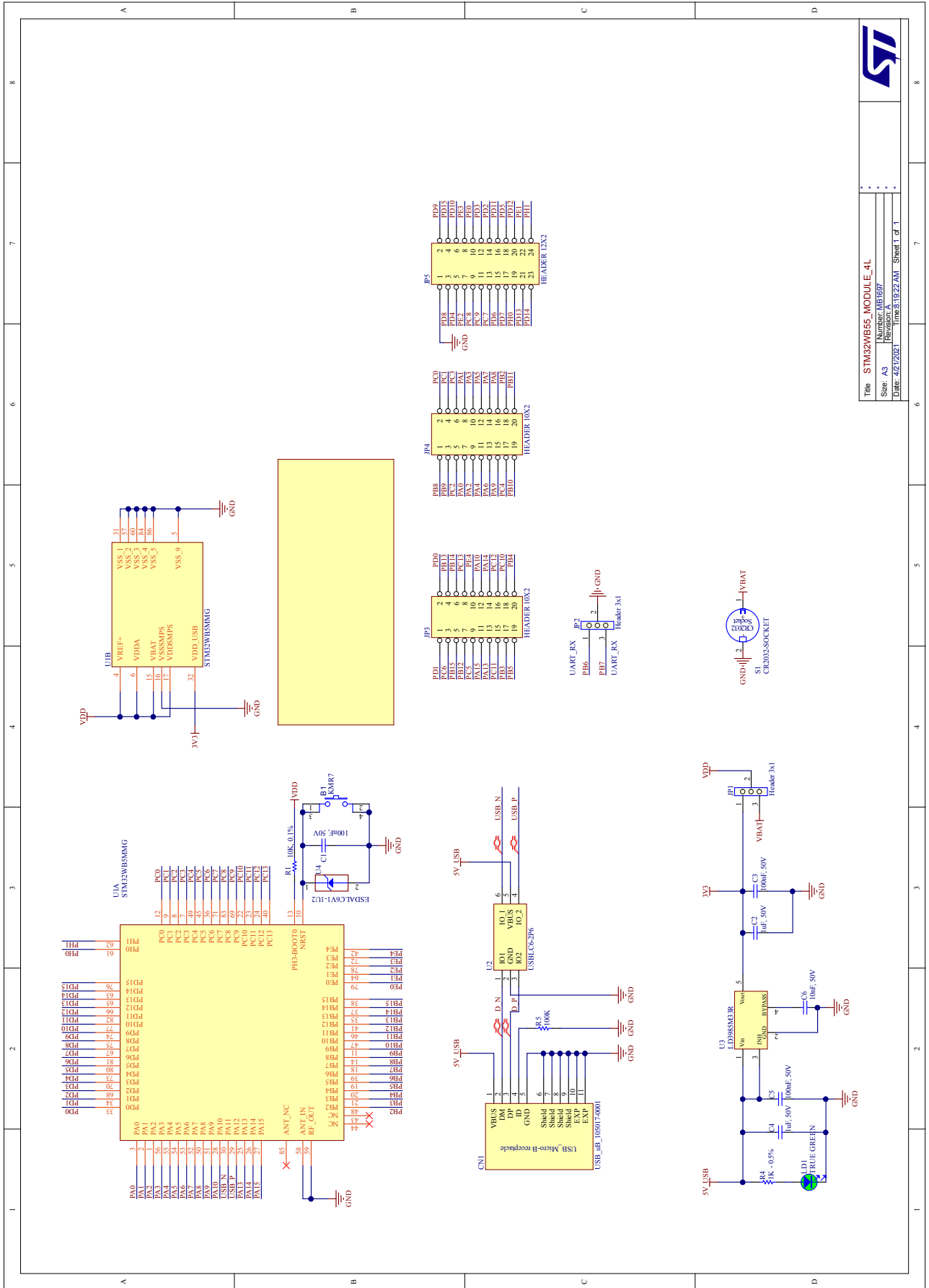
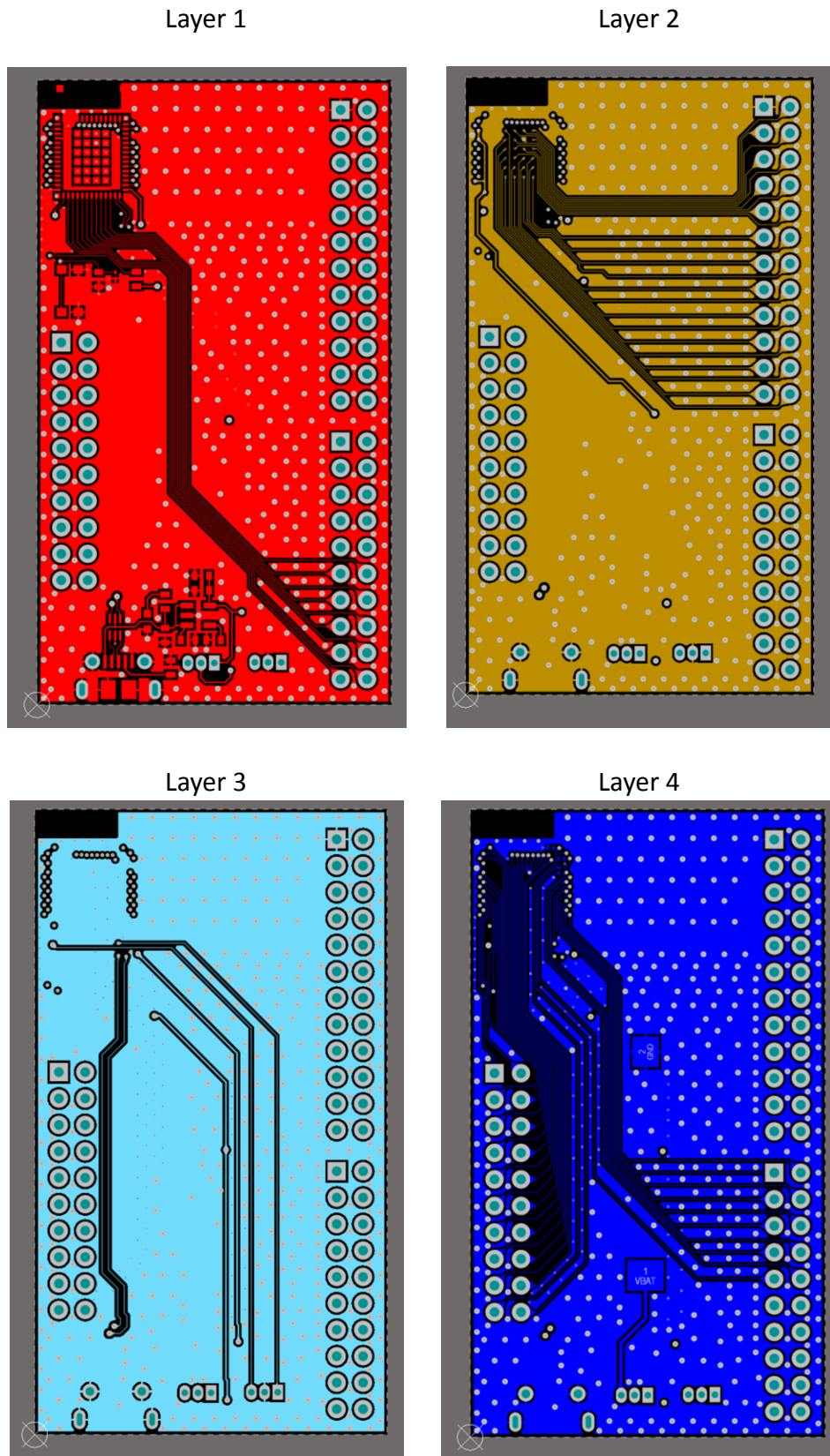


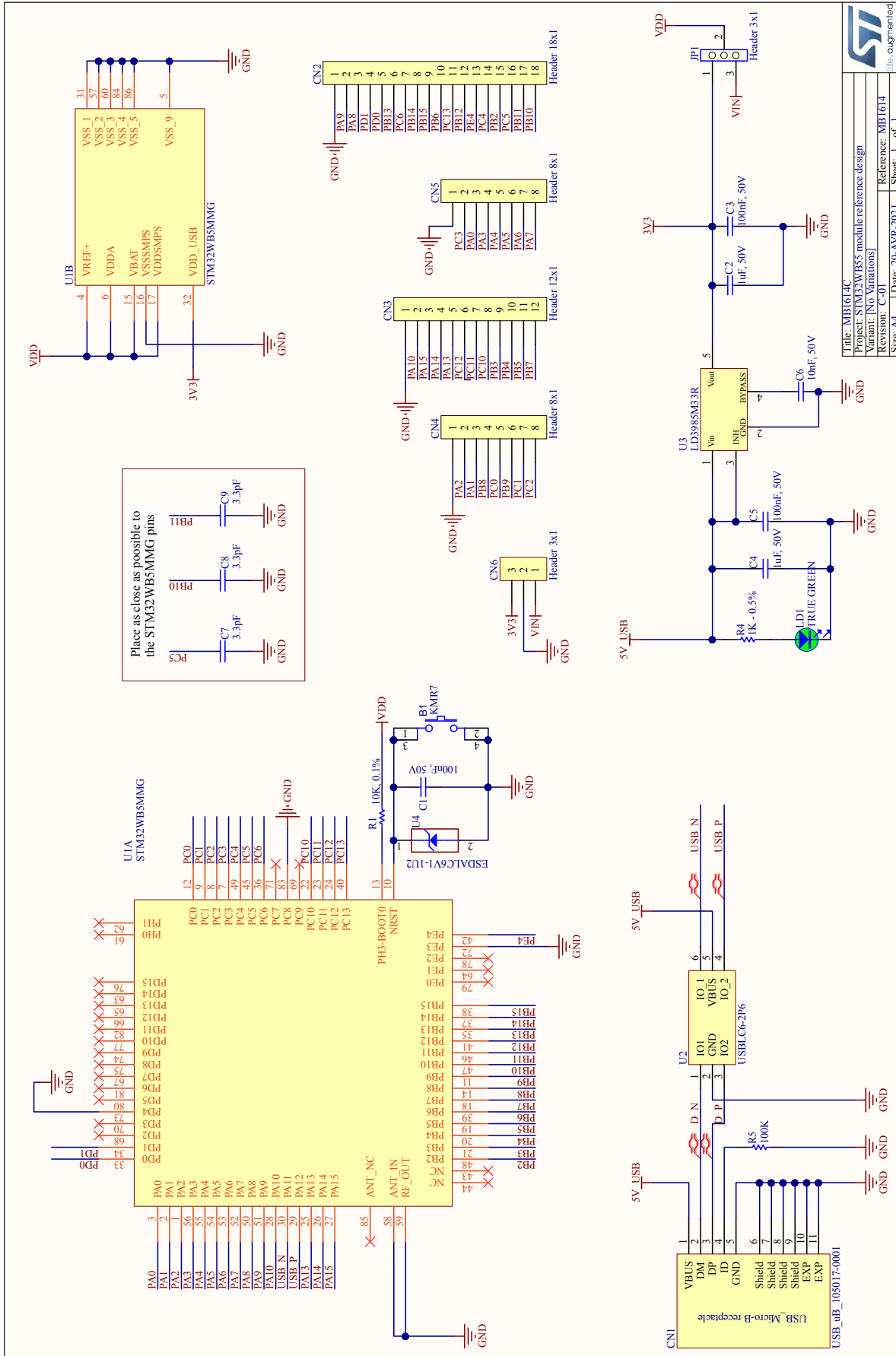
Figure 9. Four layer PCB layout



5.2.6 Two layer reference board design

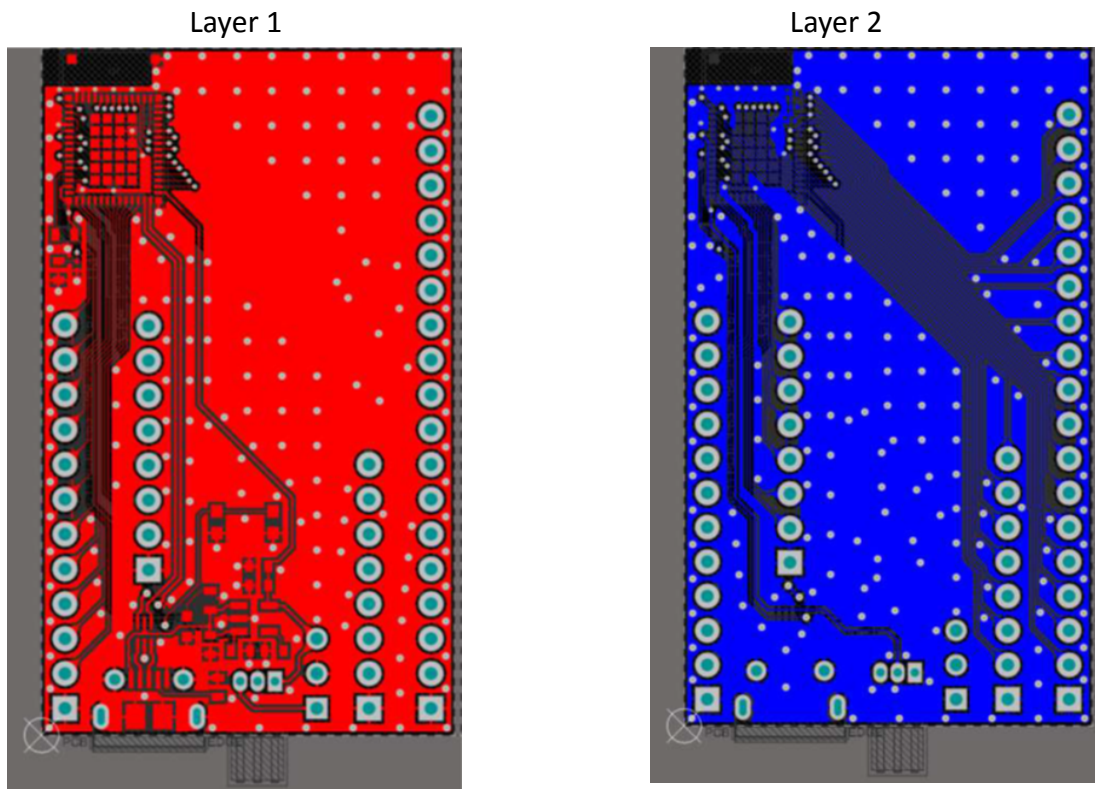
The reference schematics are illustrated in [Figure 10](#) and the associated PCB layout is illustrated in [Figure 11](#). By using the first external pad ring, the mother board on which the module is soldered may be designed with only two layers.

Figure 10. Two layer reference board schematics



Title: MB1614C	Sheet: 1 of 1
Project: STM32WB55 module reference design	
Variant: [No Variations]	
Revision: C-01	Reference: MB1614
Size: A4	Date: 20-AVR-2021

Figure 11. Two layer PCB layout



6 Electrical characteristics

6.1 Operating conditions

Table 3. STM32WB5MMG operating conditions

Parameter	Min.	Typ.	Max.	Unit
V _{DD}	1.71	3.3	3.6	V
Operating ambient temperature range	-40	-	85	°C
Storage temperature range	-40	-	125	°C

6.2 Power consumption

The power consumption is identical to the regular STM32WB55. For full details refer to *Multiprotocol wireless 32-bit MCU Arm®-based Cortex®-M4 with FPU, Bluetooth® 5 and 802.15.4 radio solution* (DS11929).

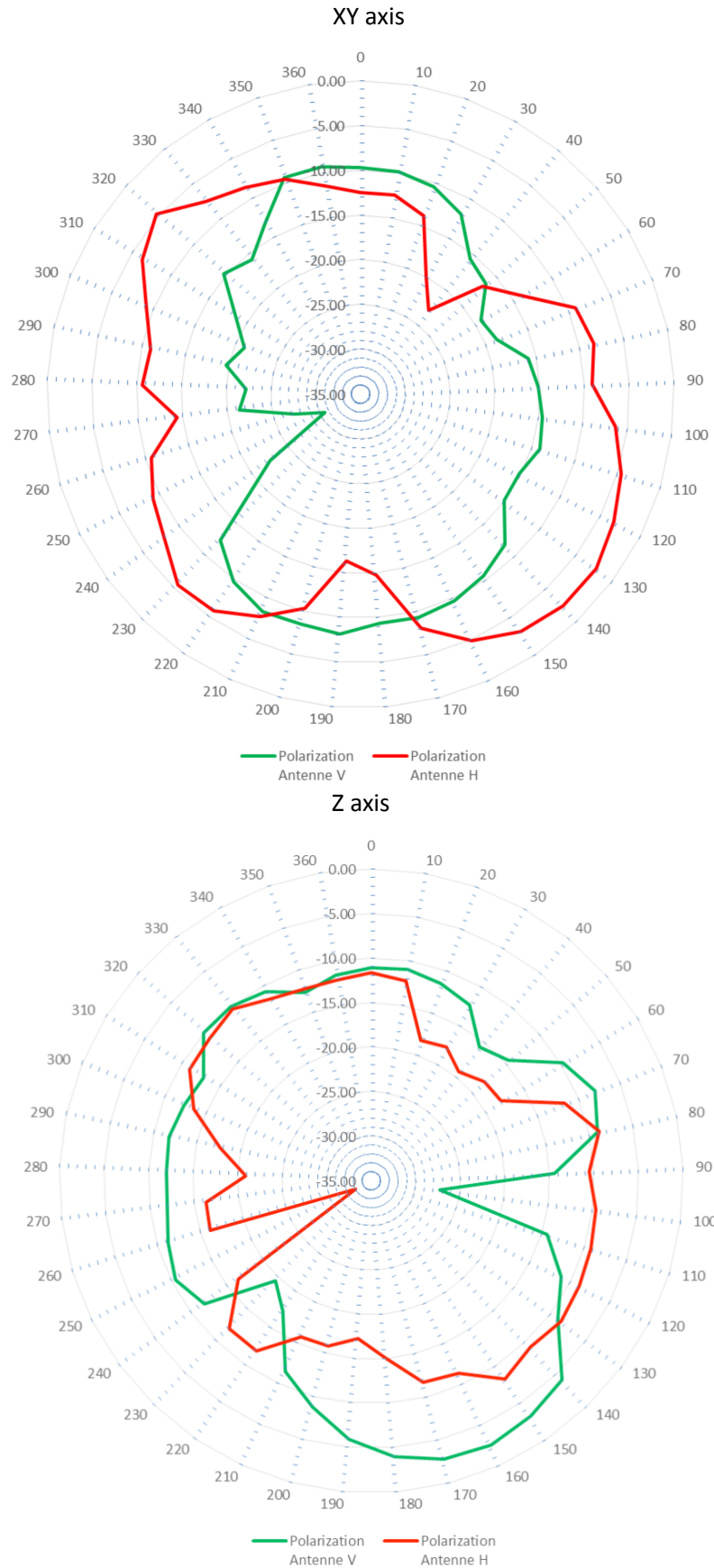
6.3 RF characteristics

Refer to *Multiprotocol wireless 32-bit MCU Arm®-based Cortex®-M4 with FPU, Bluetooth® 5 and 802.15.4 radio solution* (DS11929) for more details.

6.4 Antenna radiation patterns and efficiency

The following two figures present the radiation patterns that are taken from certification measurements.

Figure 12. Antenna radiation patterns



7 Thermal characteristics

The thermal characteristics of the STM32WB5MMG are defined below and the constant values are given in Table 4

- Θ_{JA} , Junction-to-ambient thermal resistance (EIA/JESD51-2 and EIA/JESD51-6):
 $\Theta_{JA} = (T_J - T_A) / P_H$,
 where T_J = junction temperature, T_A = ambient temperature, P_H = power dissipation.
 Θ_{JA} , represents the resistance to the heat flows from the chip to ambient air. It is an indicator of package heat dissipation capability. Lower Θ_{JA} , means better overall thermal performance.
- Ψ_{JT} , Junction-to-top-center thermal characterization parameter (EIA/JESD51-2 and EIA/JESD51-6):
 $\Psi_{JT} = (T_J - T_T) / P_H$,
 where T_T = temperature at the top-center of the package.
 Ψ_{JT} is used for estimating the junction temperature by measuring T_T in an actual environment.
- Θ_{JC} , Junction-to-case thermal resistance :
 $\Theta_{JC} = (T_J - T_C) / P_H$,
 where T_C = case temperature attached with a cold plate.
 Θ_{JC} represents the resistance to the heat flows from the chip to package top case. Θ_{JC} is important when external heat sink is attached on package top.
- Θ_{JB} , Junction-to-board thermal resistance (EIA/JESD51-8):
 $\Theta_{JB} = (T_J - T_B) / P_H$,
 where T_B = board temperature with ring cold plate fixture applied.
 Θ_{JB} represents the resistance to the heat flows from the chip to PCB. Θ_{JB} is used in compact thermal models for system-level thermal simulation.

Table 4. STM32WB5MMG thermal characteristics

Symbol	$T_J(^{\circ}\text{C})$	$T_C(^{\circ}\text{C})$	$\Psi_{JT}(^{\circ}\text{C/W})$	$\Theta_{JA}(^{\circ}\text{C/W})$	$\Theta_{JB}(^{\circ}\text{C/W})$	$\Theta_{JC}(^{\circ}\text{C/W})$
Value	97.36	96.98	37.36	0.38	24.58	16.21

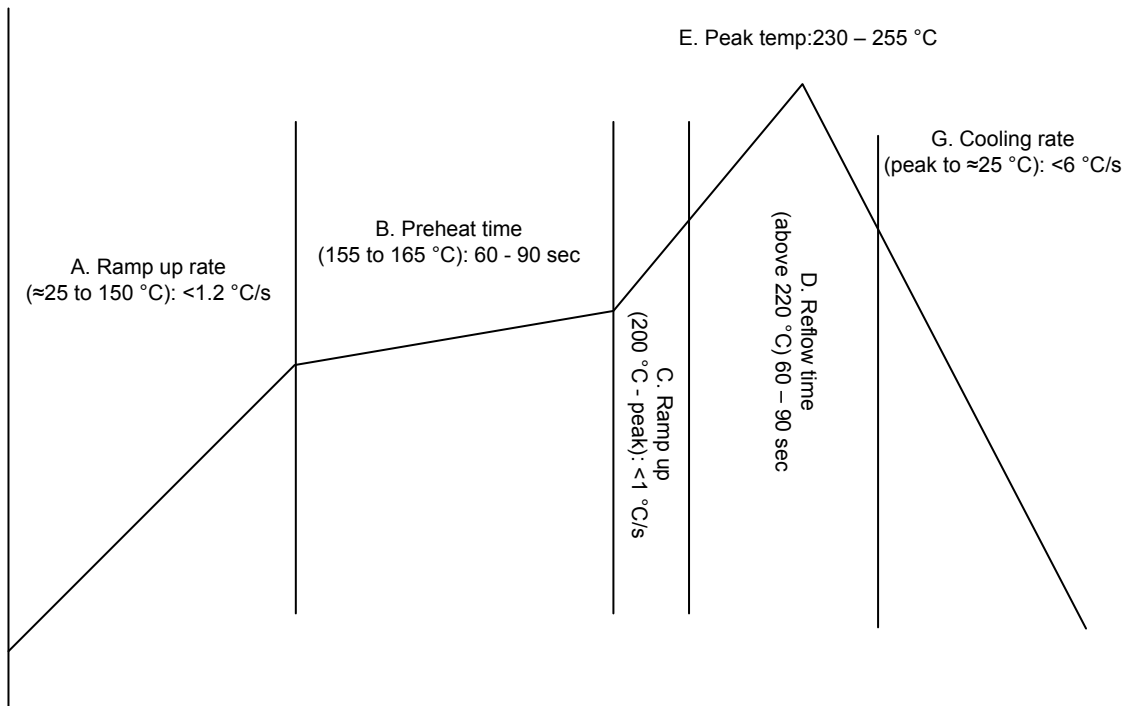
8 Solder re-flow recommendation

A recommended soldering profile is shown below. The re-flow profile is based on using specific solder paste SAC305.

Table 5. Solder re-flow specification

A. Ramp up rate (25-150 °C)	B. Pre-heat time (155-165 °C)	C. Ramp up (200 °C - peak)	D. Re-flow time (above 220 °C)	E. Peak temperature (230-255 °C)	G. Cooling rate (peak-25 °C)
<1.2 °C/s	60-90 sec	<1 °C/s	60-90 sec	230-255 °C	<6 °C/s

Figure 13. Recommended re-flow profile



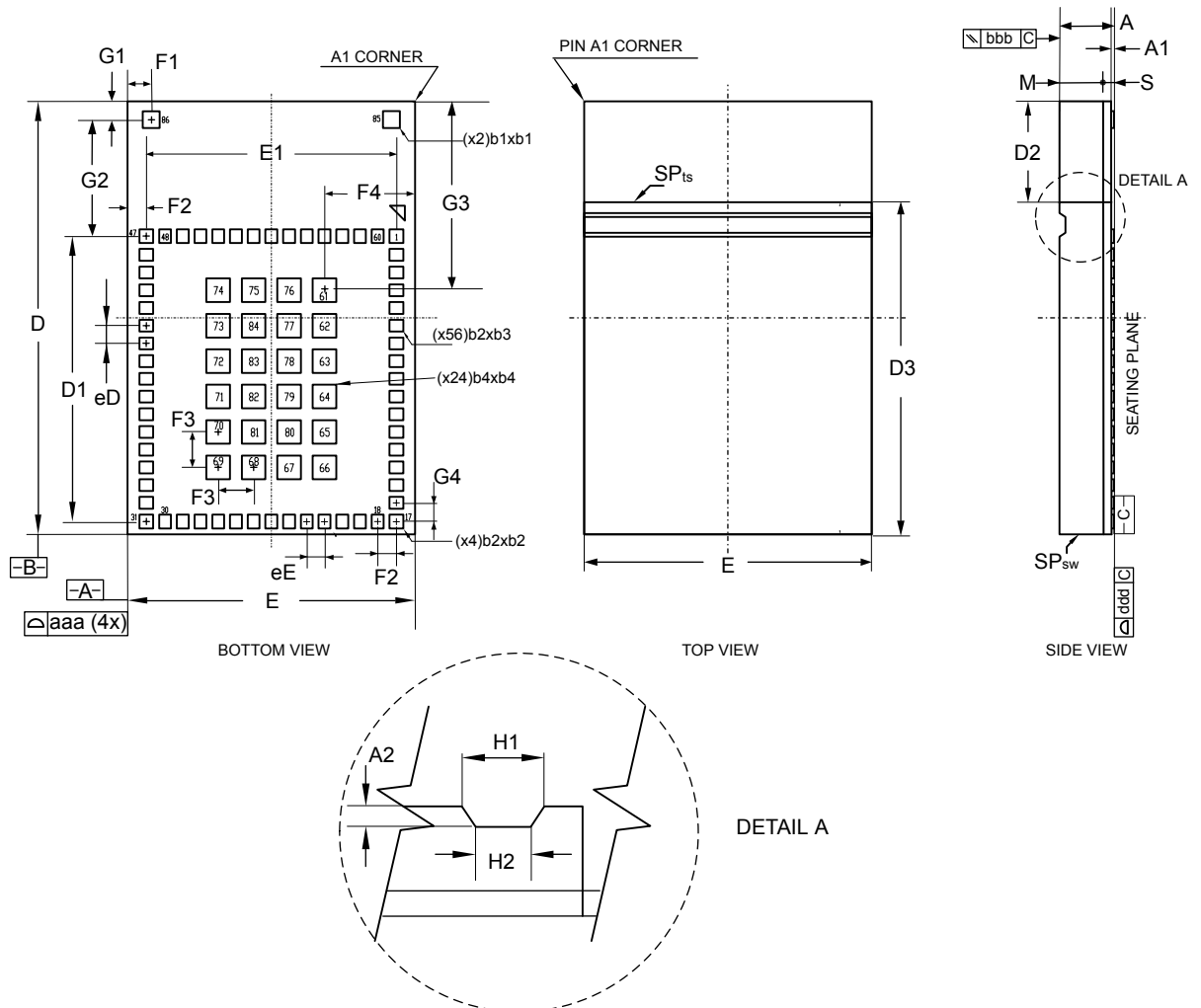
9 Package information

In order to meet environmental requirements, ST offers these devices in different grades of **ECOPACK** packages, depending on their level of environmental compliance. ECOPACK specifications, grade definitions and product status are available at: www.st.com. ECOPACK is an ST trademark.

9.1 SiP-LGA86 package information

This SiP-LGA is a 86 pin, 7.3 x 11mm, system in package land grid array package.

Figure 14. SiP-LGA86 - Outline



1. Drawing is not to scale.

Table 6. SiP-LGA86 - Mechanical data

Symbol	Description	Min	Typ	Max	Unit
A	Total thickness	1.382±0.046			mm
A1	Pre-solder	40±20 ⁽¹⁾			
		30±20 ⁽²⁾			
A2	-	0.150			µm
M	Mold thickness	1.100			mm
S	Substrate thickness	0.242			
D	Body length	10925	11.000	11.075	
D1	Lead pitch length	7.250			
D2	-	2.563			
D3	-	8.438			
eD	Lead pitch length	0.450			
E	Body width	7.225	7.300	7.375	
eE	Lead pitch width	0.450			
b1	-	0.430			
b2	-	0.350			
b3	-	0.300			
b4	-	0.600			
F1	-	0.600			
F2	-	0.475			
F3	-	0.900			
F4	-	2.300			
G1	-	0.465			
G2	-	2.960			
G3	-	4.800			
G4	-	0.475			
H1	-	0.600			µm
H2	-	0.400			µm
SP _{ts} ⁽³⁾	Top surface sputter	3	-	6	µm
SP _{sw} ⁽⁴⁾	Side wall sputter	1	-	3	µm
aaa	Package edge tolerance	0.075			mm
bbb	Mold flatness	0.100			
ddd	Coplanarity	0.100			

1. *Peripheral pads*
2. *Inner pads*
3. *Top surface sputter*
4. *Side wall sputter*

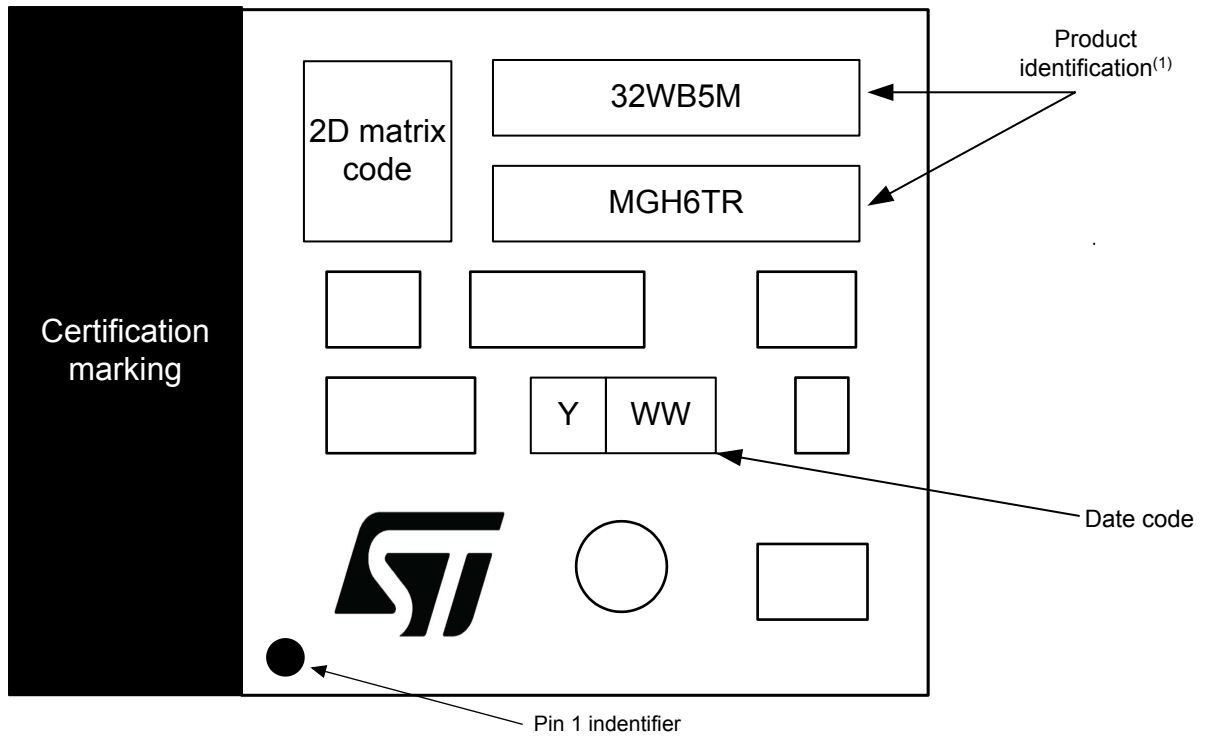
9.1.1 Device marking for SiP-LGA86

The following figure gives an example of topside marking versus pin 1 position identifier location.

The printed markings may differ depending on the supply chain.

Other optional marking or inset/upset marks, which depend on supply chain operations, are not indicated below.

Figure 15. SiP-LGA86 marking example



1. Parts marked as "ES", "E" or accompanied by an Engineering Sample notification letter, are not yet qualified and therefore not approved for use in production. ST is not responsible for any consequences resulting from such use. In no event will ST be liable for the customer using any of these engineering samples in production. ST's Quality department must be contacted prior to any decision to use these engineering samples to run a qualification activity.

10 Ordering information

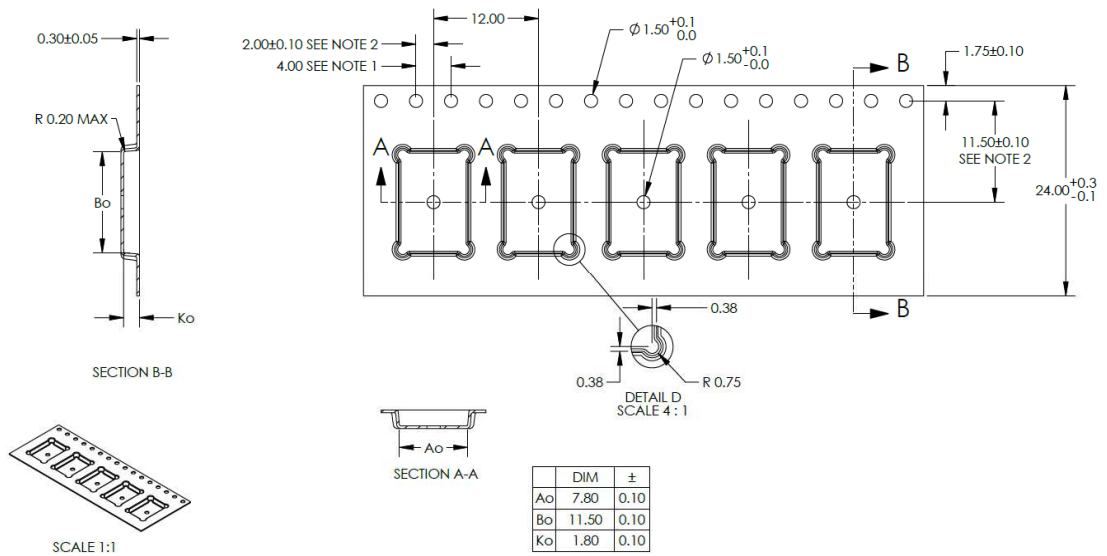
Example:	STM32	WB	5	M	M	G	H	6	TR
Device family									
STM32 = Arm-based 32-bit microcontroller									
Product type									
WB = Wireless Bluetooth®									
Device subfamily									
5 = STM32WB55, Die 5, full set of features									
Pin count									
M = 86 pins									
Component type									
M = module									
Flash memory size									
G = 1 Mbyte									
Package									
H = LGA 86 7.3 x 11 mm									
Temperature range									
6 = Industrial temperature range, -40 to 85 °C									
Packing									
TR = tape and reel									

For a list of available options (such as speed and package) or for further information on any aspect of this device, contact your nearest ST sales office.

11 Tape and reel packing

The module tape and reel orientation and dimension are described in the figure below.

Figure 16. STM32WB5MMG packing drawing



NOTES:

1. 10 SPROCKET HOLE PITCH CUMULATIVE TOLERANCE ± 0.2
2. POCKET POSITION RELATIVE TO SPROCKET HOLE MEASURED AS TRUE POSITION OF POCKET, NOT POCKET HOLE.
3. Ao AND Bo ARE MEASURED ON A PLANE AT A DISTANCE "R" ABOVE THE BOTTOM OF THE POCKET.

12 Certification

The STM32WB5MMG module passed the following certifications:

- ZigBee (802.15.4-4PHY)
- BLE (RF_PHY)
- CE
- FCC-TCB (USA)
- ISED-FCB (Canada)
- JRF (Japan)
- KC or MSIP (Korea)
- NCC (Taiwan)
- ROHS
- REACH
- GOST (Russia).

SRRC (China) certification is ongoing.

The following sections detail some of the module certifications from sample regions.

All certifications reports are available on STM32WB5MMG page.

12.1 BLE(RF_PHY) certification

The STM32WB5MMG module has obtained BLE RF_PHY certification.

The module is published under BLE SIG web site.

12.2 CE certification

The STM32WB5MMG module has obtained CE certification.

The module is provided with CE marking.

Figure 17. CE certification logo



12.3 FCC certification

The STM32WB5MMG module complies with part 15 of the FCC Rules.

The module is labeled with its own FCC ID: YCP-STM32WB5M001

The operation is subject to the following two conditions:

- This device may not cause harmful interference
- This device must accept any interference received, including interference that may cause undesired operation.

Note: This equipment has been tested and found to comply with the limits for a Class B digital device, pursuant to part 15 of the FCC Rules. These limits are designed to provide reasonable protection against harmful interference in a residential installation.

Label requirements

If the identification number is not visible when the module is installed inside another device, then the outside of the device into which the module is installed must also display a label referring to the enclosed module. This label must contain FCC ID: YCP-STM32WB5M001

RF radiation exposure statement caution

The module antenna must be installed to meet the RF exposure compliance separation distance of “20 cm” and any additional testing and authorization processes as required.

12.4 ISED certification

The STM32WB5MMG module has been tested and found compliant with the ISED RSS-247 and RSS-Gen rules. The IC ID is 8976A-STM32WB5M01.

This module contains license-exempt transmitter(s) that comply with Innovation, Science and Economic Development Canada’s license-exempt RSS(s). Operation is subject to the following two conditions:

- This module may not cause interference
- This module must accept any interference, including interference that may cause undesired operation of the module.

RF radiation exposure statement caution

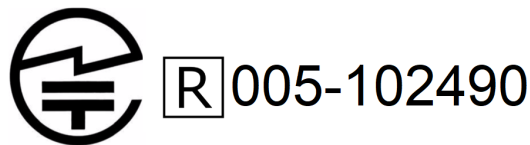
This Transmitter must be installed to provide a separation distance of at least 20 cm from all persons.

12.5 JRF certification

The STM32WB5MMG is certified in Japan with certification number: 005-102490

The JRF logo is the following:

Figure 18. JRF certification logo


12.6 NCC certification

The STM32WB5MMG is certified in Taiwan with NCC certification number: **CCAN20LP0740T3**.

The NCC log is the following:

Figure 19. NCC certification logo


Low-power radio wave radiation equipment management measures:

- Article 12: For low-power radio frequency equipment that has passed the type certification, the company, trade name, or user shall not change the frequency, increase the power, or change the characteristics and functions of the original design without permission.
- Article 14: The use of low-power radio frequency equipment must not affect flight safety and interfere with legal communications; if interference is found, it should be stopped immediately, and it can only be used when there is no interference. Legal communications in the preceding paragraph refers to radio communications operated in accordance with the Telecommunications Law. Low-power radio frequency equipment must endure interference from legal communications or industrial, scientific, and medical radio wave radiation electrical equipment.

12.7 SRRC certification

The Chinese SRRC certification is ongoing.



Note: CMIIT ID is temporarily replaced with 32WBCERTIF. This code is updated with the code assigned by the China Ministry of Industry and Information Technology after SRRC certification is completed.

Revision history

Table 7. Document revision history

Date	Revision	Changes
12-Nov-2020	1	Initial release.
16-Jul-2021	2	<p>Added:</p> <ul style="list-style-type: none"> • Power supply • SMPS • Clocks • Antenna • Two layer reference board design • BLE(RF_PHY) certification <p>Updated:</p> <ul style="list-style-type: none"> • Features • STM32WB5MMG module block diagram • Section 2.2 Clocks • Section 4 Pin description • STM32WB5MMG pin/ball definition • Section 5.2.2 Enclosure effects • Figure 8. Four layer reference board schematics • Section 6.4 Antenna radiation patterns and efficiency • Section 9.1 SiP-LGA86 package information • Section 12 Certification • Section 12.1 BLE(RF_PHY) certification

Contents

1	Introduction	2
2	Description	3
2.1	Power supply	3
2.1.1	SMPS	3
2.2	Clocks	4
2.3	Antenna	4
3	Available peripherals	5
4	Pin description	6
5	Recommendations	9
5.1	Pin recommendations	9
5.2	Layout recommendations	10
5.2.1	STM32WB5MMG placement	10
5.2.2	Enclosure effects	10
5.2.3	Ground plane	12
5.2.4	Sensitive GPIOs	12
5.2.5	Four layer reference board design	12
5.2.6	Two layer reference board design	15
6	Electrical characteristics	18
6.1	Operating conditions	18
6.2	Power consumption	18
6.3	RF characteristics	18
6.4	Antenna radiation patterns and efficiency	18
7	Thermal characteristics	20
8	Solder re-flow recommendation	21
9	Package information	22
9.1	SiP-LGA86 package information	22
9.1.1	Device marking for SiP-LGA86	24
10	Ordering information	25
11	Tape and reel packing	26
12	Certification	27
12.1	BLE(RF_PHY) certification	27
12.2	CE certification	27
12.3	FCC certification	27
12.4	ISED certification	28

12.5	JRF certification	28
12.6	NCC certification	28
12.7	SRRC certification	28
	Revision history	30

List of tables

Table 1.	STM32WB5MMG pin/ball definition	7
Table 2.	Minimum enclosure dimensions (mm)	11
Table 3.	STM32WB5MMG operating conditions	18
Table 4.	STM32WB5MMG thermal characteristics	20
Table 5.	Solder re-flow specification	21
Table 6.	SiP-LGA86 - Mechanical data	23
Table 7.	Document revision history	30

List of figures

Figure 1.	STM32WB5MMG module block diagram	3
Figure 2.	STM32WB5MMG module pinout: bottom view	6
Figure 3.	Reset circuit	9
Figure 4.	STM32WB5MMG board placement	10
Figure 5.	Conductive enclosure around the antenna	10
Figure 6.	STM32WB5MMG ground plane layout	12
Figure 7.	Sensitive GPIO location	12
Figure 8.	Four layer reference board schematics	13
Figure 9.	Four layer PCB layout	14
Figure 10.	Two layer reference board schematics	16
Figure 11.	Two layer PCB layout	17
Figure 12.	Antenna radiation patterns	19
Figure 13.	Recommended re-flow profile	21
Figure 14.	SiP-LGA86 - Outline	22
Figure 15.	SiP-LGA86 marking example	24
Figure 16.	STM32WB5MMG packing drawing	26
Figure 17.	CE certification logo	27
Figure 18.	JRF certification logo	28
Figure 19.	NCC certification logo	28

IMPORTANT NOTICE – PLEASE READ CAREFULLY

STMicroelectronics NV and its subsidiaries (“ST”) reserve the right to make changes, corrections, enhancements, modifications, and improvements to ST products and/or to this document at any time without notice. Purchasers should obtain the latest relevant information on ST products before placing orders. ST products are sold pursuant to ST’s terms and conditions of sale in place at the time of order acknowledgement.

Purchasers are solely responsible for the choice, selection, and use of ST products and ST assumes no liability for application assistance or the design of Purchasers’ products.

No license, express or implied, to any intellectual property right is granted by ST herein.

Resale of ST products with provisions different from the information set forth herein shall void any warranty granted by ST for such product.

ST and the ST logo are trademarks of ST. For additional information about ST trademarks, please refer to www.st.com/trademarks. All other product or service names are the property of their respective owners.

Information in this document supersedes and replaces information previously supplied in any prior versions of this document.

© 2021 STMicroelectronics – All rights reserved

Mouser Electronics

Authorized Distributor

Click to View Pricing, Inventory, Delivery & Lifecycle Information:

[STMicroelectronics:](#)

[STM32WB5MMGH6TR](#)