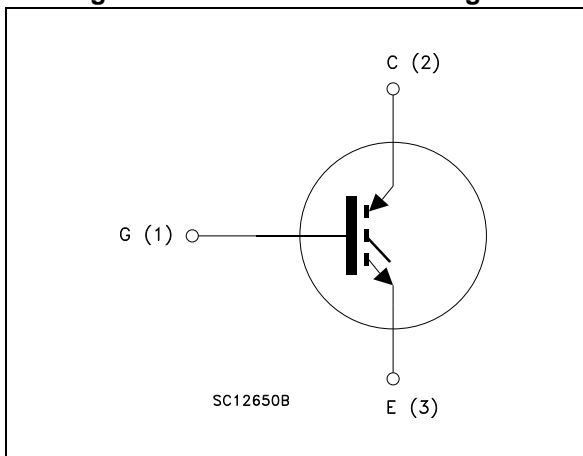


Figure 1. Internal schematic diagram



### Features

- High frequency operation up to 50 kHz
- Lower  $C_{RES} / C_{IES}$  ratio (no cross-conduction susceptibility)
- High current capability

### Applications

- High frequency inverters
- UPS, motor drivers
- HF, SMPS and PFC in both hard switch and resonant topologies

### Description

This IGBT utilizes the advanced PowerMESH™ process resulting in an excellent trade-off between switching performance and low on-state behavior.

Table 1. Device summary

Order codes	Marking	Package	Packaging
STGB20NC60V	GB20NC60V	D²PAK	Tape and reel
STGP20NC60V	GP20NC60V	TO-220	Tube
STGW20NC60V	GW20NC60V	TO-247	Tube

# Contents

<b>1</b>	<b>Electrical ratings</b> .....	<b>3</b>
<b>2</b>	<b>Electrical characteristics</b> .....	<b>4</b>
	2.1 Electrical characteristics (curves) .....	6
<b>3</b>	<b>Test circuits</b> .....	<b>9</b>
<b>4</b>	<b>Package information</b> .....	<b>10</b>
	4.1 D2PAK type A package information .....	10
	4.2 TO-220 type A package information .....	13
	4.3 TO-247 package information .....	15
<b>5</b>	<b>Packing information</b> .....	<b>17</b>
<b>6</b>	<b>Revision history</b> .....	<b>19</b>

# 1 Electrical ratings

**Table 2. Absolute maximum ratings**

Symbol	Parameter	Value	Unit
$V_{CES}$	Collector-emitter voltage ( $V_{GE} = 0$ )	600	V
$I_C^{(1)}$	Collector current (continuous) at 25 °C	60	A
$I_C^{(1)}$	Collector current (continuous) at 100 °C	30	A
$I_{CL}^{(2)}$	Turn-off latching current	100	A
$I_{CP}^{(3)}$	Pulsed collector current	100	A
$V_{GE}$	Gate-emitter voltage	± 20	V
$P_{TOT}$	Total dissipation at $T_C = 25$ °C	200	W
$T_j$	Operating junction temperature	- 55 to 150	°C

1. Calculated according to the iterative formula:

$$I_C(T_C) = \frac{T_{JMAX} - T_C}{R_{THJ-C} \times V_{CESAT(MAX)}(T_C, I_C)}$$

2.  $V_{clamp} = 80\%(V_{CES})$ ,  $T_j = 150$  °C,  $R_G = 10$  Ω,  $V_{GE} = 15$  V

3. Pulse width limited by max junction temperature allowed

**Table 3. Thermal resistance**

Symbol	Parameter	Value		Unit
		TO-247	TO-220 D <sup>2</sup> PAK	
$R_{thj-case}$	Thermal resistance junction-case max	0.62		°C/W
$R_{thj-amb}$	Thermal resistance junction-ambient max	50	62.5	°C/W

## 2 Electrical characteristics

( $T_{CASE}=25^{\circ}\text{C}$  unless otherwise specified)

**Table 4. Static electrical characteristics**

Symbol	Parameter	Test conditions	Min.	Typ.	Max.	Unit
$V_{(BR)CES}$	Collector-emitter breakdown voltage ( $V_{GE} = 0$ )	$I_C = 1 \text{ mA}$	600			V
$V_{CE(sat)}$	Collector-emitter saturation voltage	$V_{GE}=15 \text{ V}, I_C= 20 \text{ A}$ $V_{GE}=15 \text{ V}, I_C= 20 \text{ A}, T_C= 125^{\circ}\text{C}$		1.8 1.7	2.5	V V
$V_{GE(th)}$	Gate threshold voltage	$V_{CE}= V_{GE}, I_C= 250 \mu\text{A}$	3.75		5.75	V
$I_{CES}$	Collector-emitter cut-off current ( $V_{GE} = 0$ )	$V_{CE} = 600 \text{ V}$ $V_{CE} = 600 \text{ V}, T_C=125^{\circ}\text{C}$			10 1	$\mu\text{A}$ mA
$I_{GES}$	Gate-emitter cut-off current ( $V_{CE} = 0$ )	$V_{GE} = \pm 20 \text{ V}$			$\pm 100$	nA
$g_{fs}^{(1)}$	Forward transconductance	$V_{CE} = 15 \text{ V}, I_C= 20 \text{ A}$		15		S

1. Pulse duration = 300  $\mu\text{s}$ , duty cycle 1.5%

**Table 5. Dynamic electrical characteristics**

Symbol	Parameter	Test conditions	Min.	Typ.	Max.	Unit
$C_{ies}$	Input capacitance	$V_{CE} = 25 \text{ V}, f = 1 \text{ MHz},$ $V_{GE}=0$	-	2200	-	pF
$C_{oes}$	Output capacitance		-	225	-	pF
$C_{res}$	Reverse transfer capacitance		-	50	-	pF
$Q_g$	Total gate charge	$V_{CE} = 390 \text{ V}, I_C = 20 \text{ A},$ $V_{GE} = 15 \text{ V},$ (see Figure 17)	-	100	-	nC
$Q_{ge}$	Gate-emitter charge		-	16	-	nC
$Q_{gc}$	Gate-collector charge		-	45	-	nC

Table 6. Switching on/off (inductive load)

Symbol	Parameter	Test conditions	Min.	Typ.	Max.	Unit
$t_{d(on)}$	Turn-on delay time	$V_{CC} = 390\text{ V}$ , $I_C = 20\text{ A}$ $R_G = 3.3\ \Omega$ , $V_{GE} = 15\text{ V}$ , (see Figure 16)	-	31	-	ns
$t_r$	Current rise time		-	11	-	ns
$(di/dt)_{on}$	Turn-on current slope		-	1600	-	A/ $\mu$ s
$t_{d(on)}$	Turn-on delay time	$V_{CC} = 390\text{ V}$ , $I_C = 20\text{ A}$ $R_G = 3.3\ \Omega$ , $V_{GE} = 15\text{ V}$ , $T_C = 125\text{ }^\circ\text{C}$ (see Figure 16)	-	31	-	ns
$t_r$	Current rise time		-	11.5	-	ns
$(di/dt)_{on}$	Turn-on current slope		-	1500	-	A/ $\mu$ s
$t_{r(Voff)}$	Off voltage rise time	$V_{CC} = 390\text{ V}$ , $I_C = 20\text{ A}$ , $R_G = 3.3\ \Omega$ , $V_{GE} = 15\text{ V}$ (see Figure 18)	-	28	-	ns
$t_{d(off)}$	Turn-off delay time		-	100	-	ns
$t_f$	Current fall time		-	75	-	ns
$t_{r(Voff)}$	Off voltage rise time	$V_{CC} = 390\text{ V}$ , $I_C = 20\text{ A}$ , $R_G = 3.3\ \Omega$ , $V_{GE} = 15\text{ V}$ , $T_C = 125\text{ }^\circ\text{C}$ (see Figure 18)	-	66	-	ns
$t_{d(off)}$	Turn-off delay time		-	150	-	ns
$t_f$	Current fall time		-	130	-	ns

Table 7. Switching energy (inductive load)

Symbol	Parameter	Test conditions	Min.	Typ.	Max.	Unit
$E_{on}$	Turn-on switching losses	$V_{CC} = 390\text{ V}$ , $I_C = 20\text{ A}$ $R_G = 3.3\ \Omega$ , $V_{GE} = 15\text{ V}$ , (see Figure 18)	-	220	-	$\mu$ J
$E_{off}^{(1)}$	Turn-off switching losses		-	330	-	$\mu$ J
$E_{ts}$	Total switching losses		-	550	-	$\mu$ J
$E_{on}$	Turn-on switching losses	$V_{CC} = 390\text{ V}$ , $I_C = 20\text{ A}$ $R_G = 3.3\ \Omega$ , $V_{GE} = 15\text{ V}$ , $T_C = 125\text{ }^\circ\text{C}$ (see Figure 18)	-	450	-	$\mu$ J
$E_{off}^{(1)}$	Turn-off switching losses		-	770	-	$\mu$ J
$E_{ts}$	Total switching losses		-	1220	-	$\mu$ J

1. Turn-off losses include also the tail of the collector current.

## 2.1 Electrical characteristics (curves)

Figure 2. Output characteristics

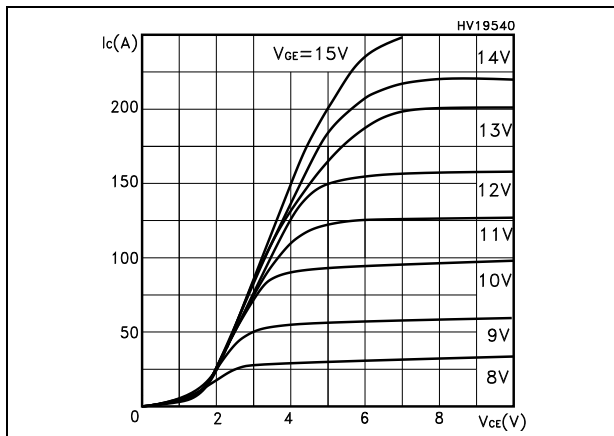


Figure 3. Transfer characteristics

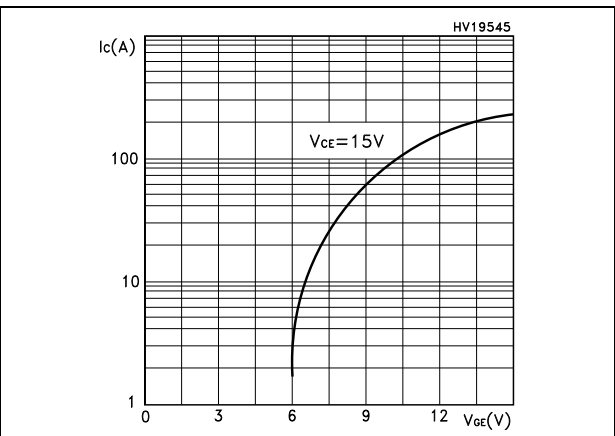


Figure 4. Transconductance

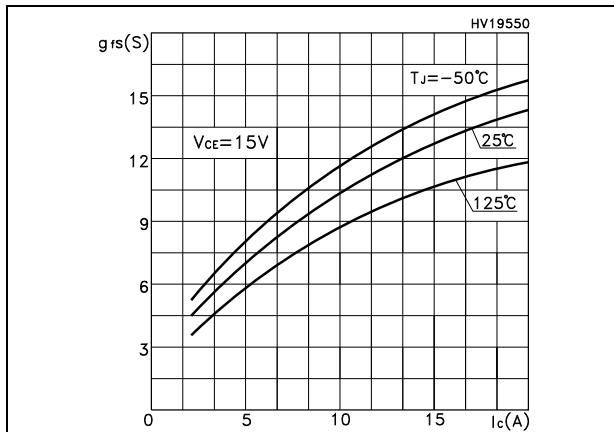


Figure 5. Collector-emitter on voltage vs temperature

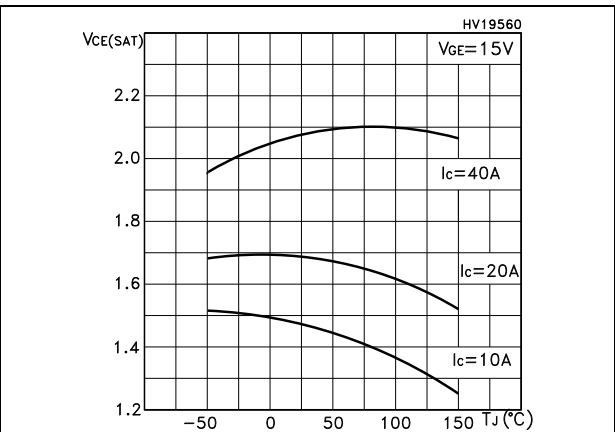


Figure 6. Gate charge vs gate-source voltage

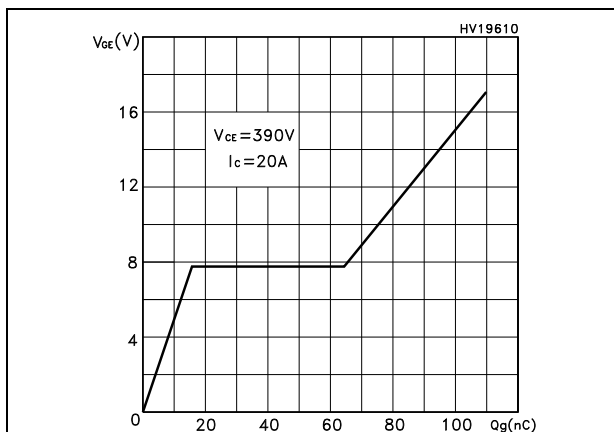


Figure 7. Capacitance variations

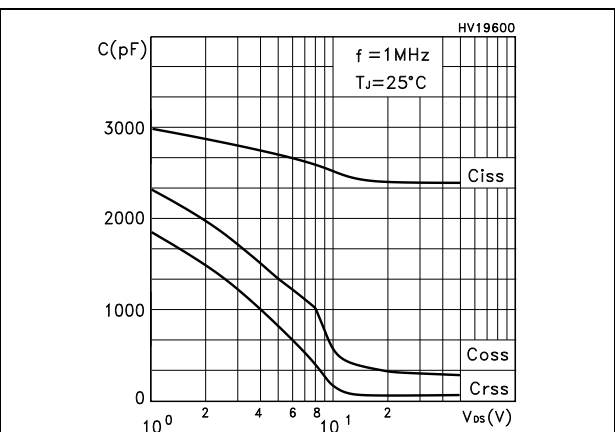


Figure 8. Normalized gate threshold voltage vs temperature

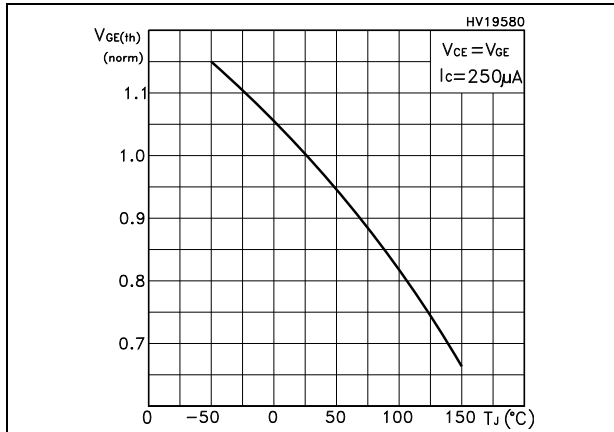


Figure 9. Collector-emitter on voltage vs collector current

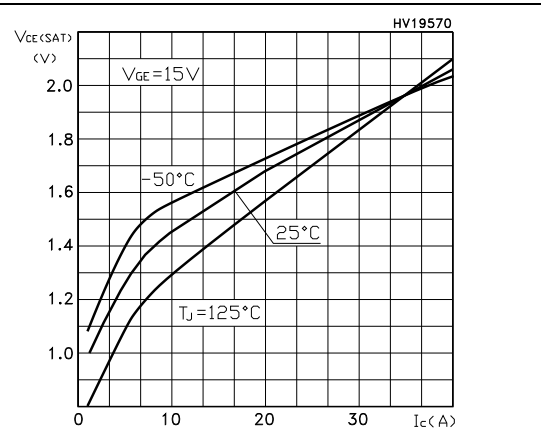


Figure 10. Normalized breakdown voltage vs temperature

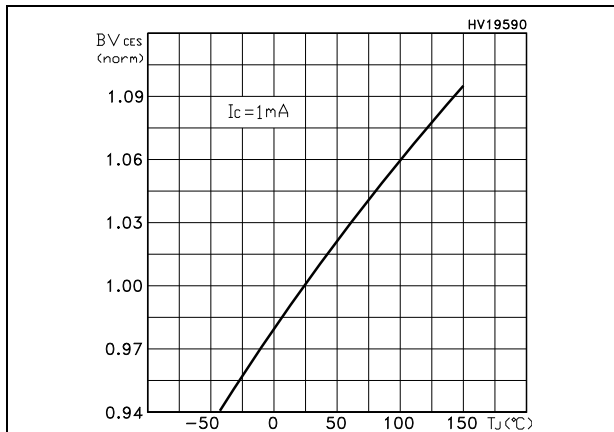


Figure 11. Switching losses vs temperature

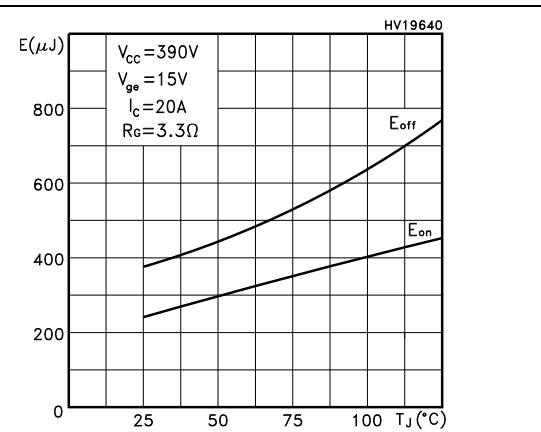


Figure 12. Switching losses vs gate resistance

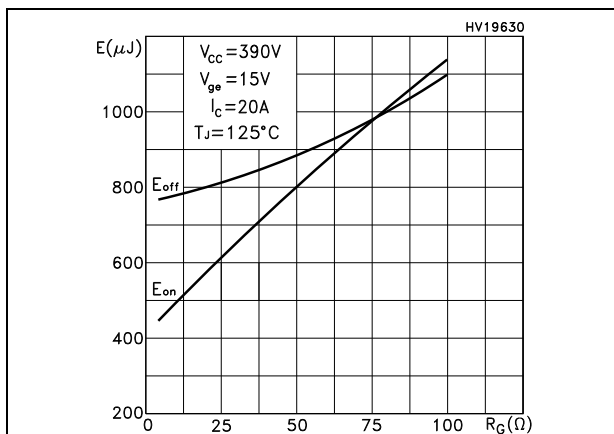


Figure 13. Switching losses vs collector current

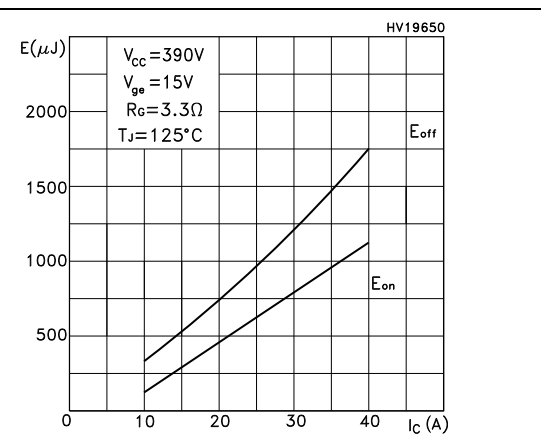


Figure 14. Thermal impedance

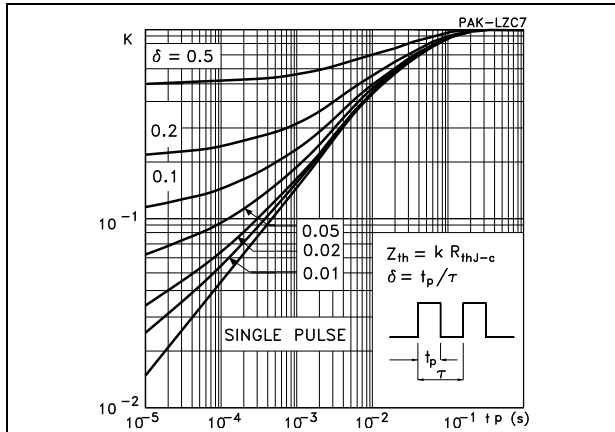
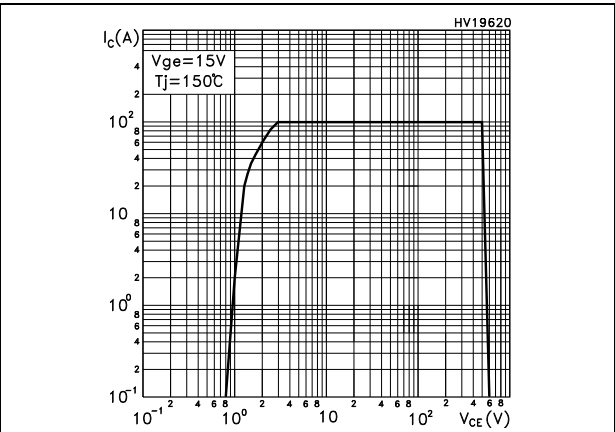


Figure 15. Turn-off SOA





### 3 Test circuits

Figure 16. Test circuit for inductive load switching

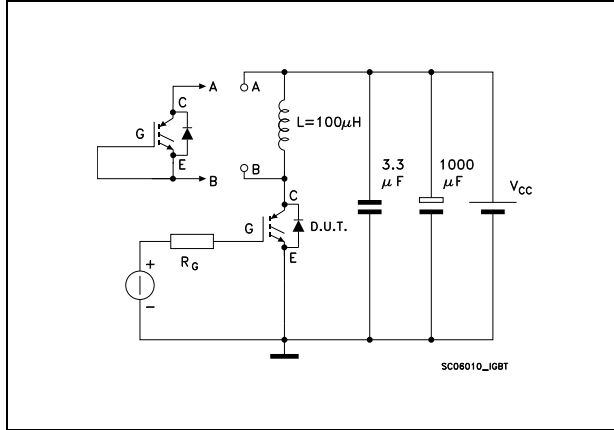


Figure 17. Gate charge test circuit

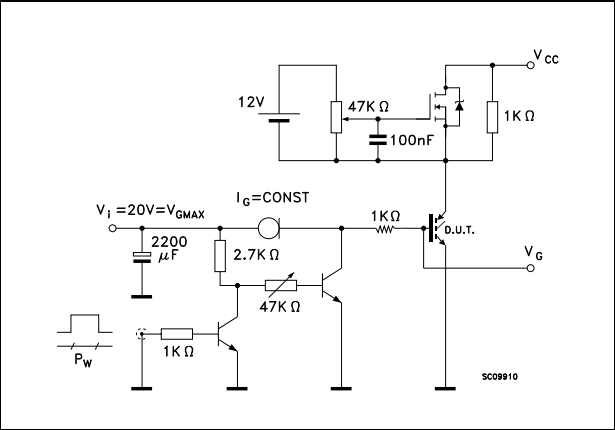
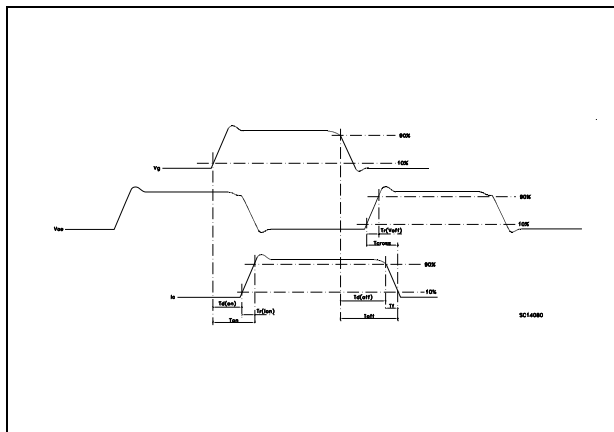


Figure 18. Switching waveform



## 4 Package information

In order to meet environmental requirements, ST offers these devices in different grades of ECOPACK® packages, depending on their level of environmental compliance. ECOPACK® specifications, grade definitions and product status are available at: [www.st.com](http://www.st.com). ECOPACK® is an ST trademark.

### 4.1 D<sup>2</sup>PAK type A package information

Figure 19. D<sup>2</sup>PAK (TO-263) type A package outline

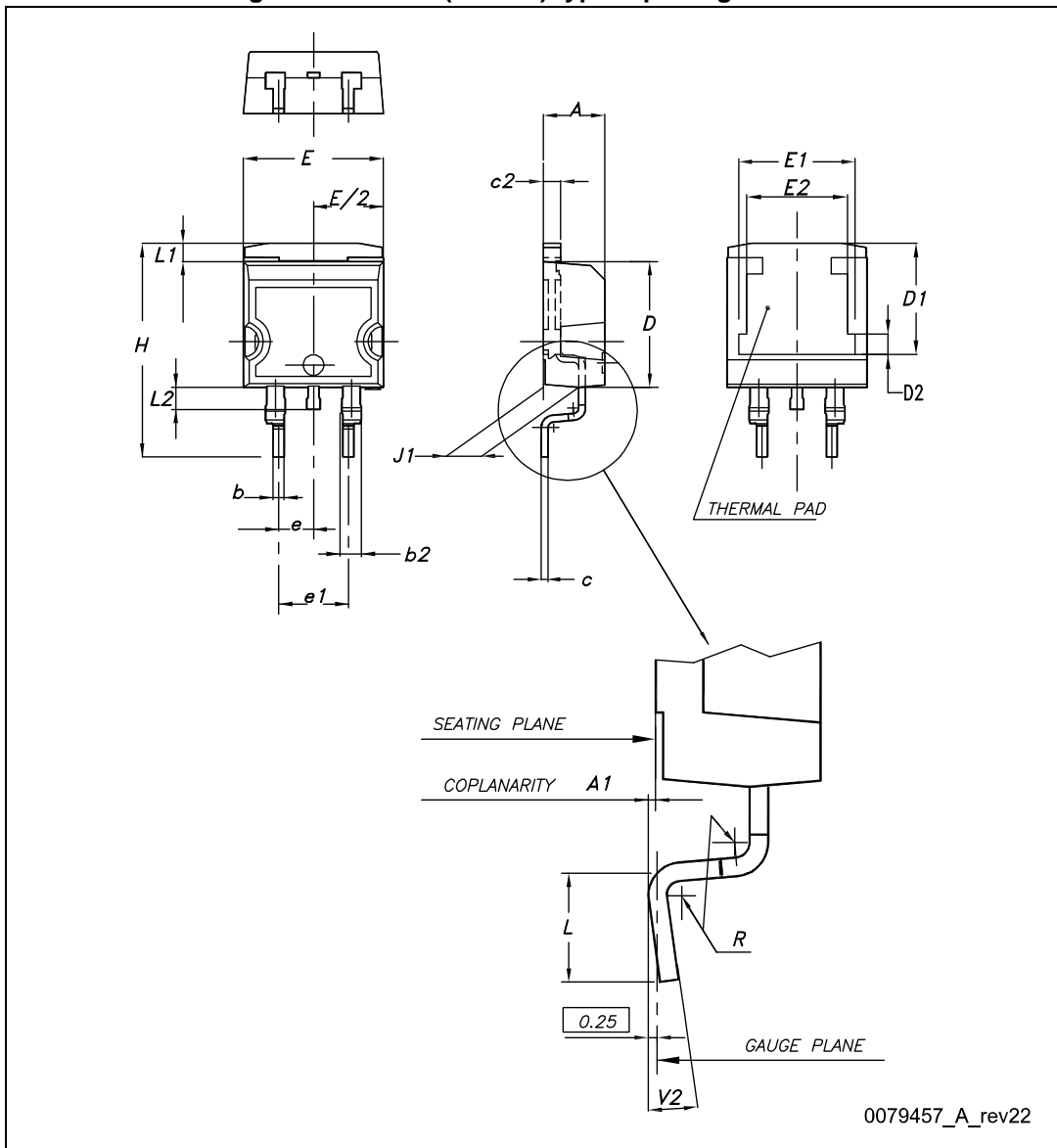
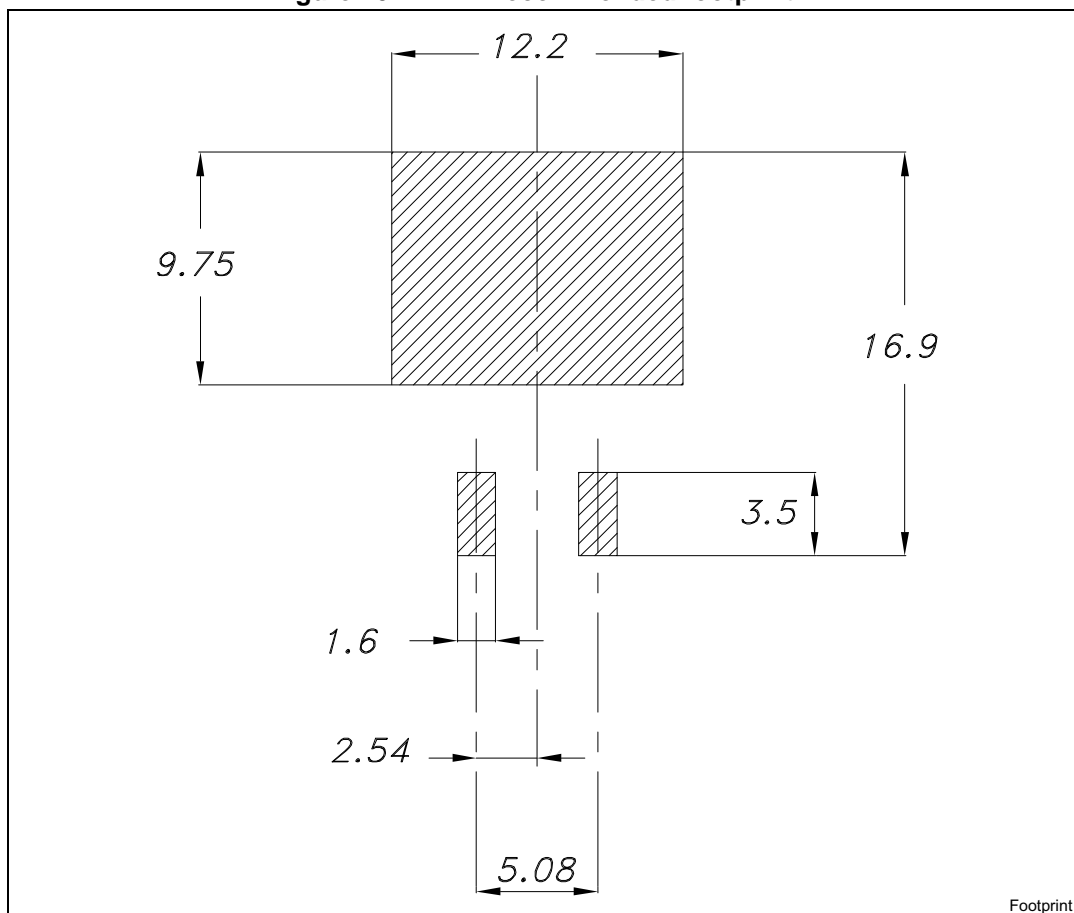


Table 8. D<sup>2</sup>PAK (TO-263) type A mechanical data

Dim.	mm		
	Min.	Typ.	Max.
A	4.40		4.60
A1	0.03		0.23
b	0.70		0.93
b2	1.14		1.70
c	0.45		0.60
c2	1.23		1.36
D	8.95		9.35
D1	7.50	7.75	8.00
D2	1.10	1.30	1.50
E	10		10.40
E1	8.50	8.70	8.90
E2	6.85	7.05	7.25
e		2.54	
e1	4.88		5.28
H	15		15.85
J1	2.49		2.69
L	2.29		2.79
L1	1.27		1.40
L2	1.30		1.75
R		0.4	
V2	0°		8°

Figure 20. D<sup>2</sup>PAK recommended footprint<sup>(a)</sup>



Footprint

a. All dimension are in millimeters

### 4.2 TO-220 type A package information

Figure 21. TO-220 type A package outline

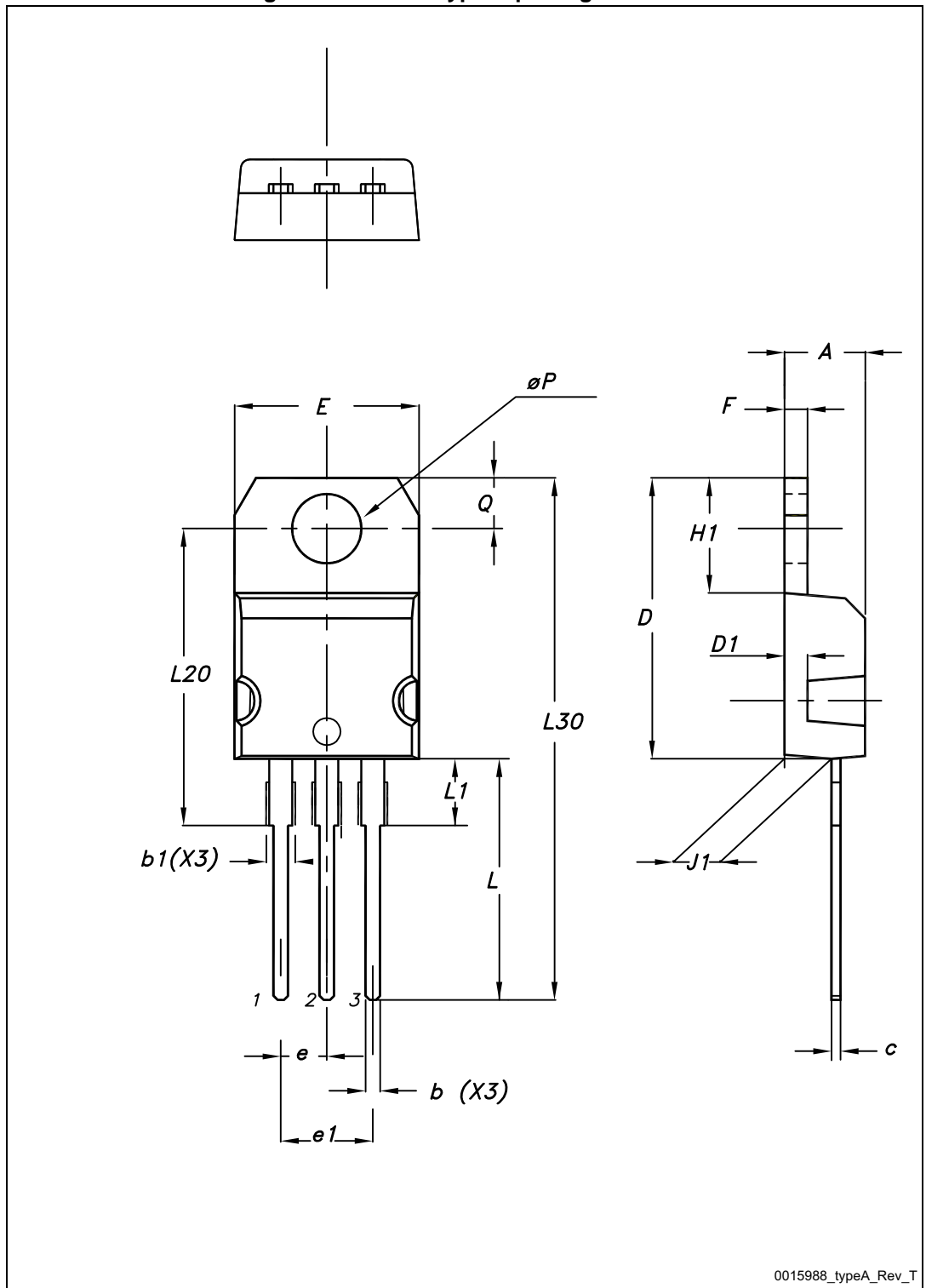
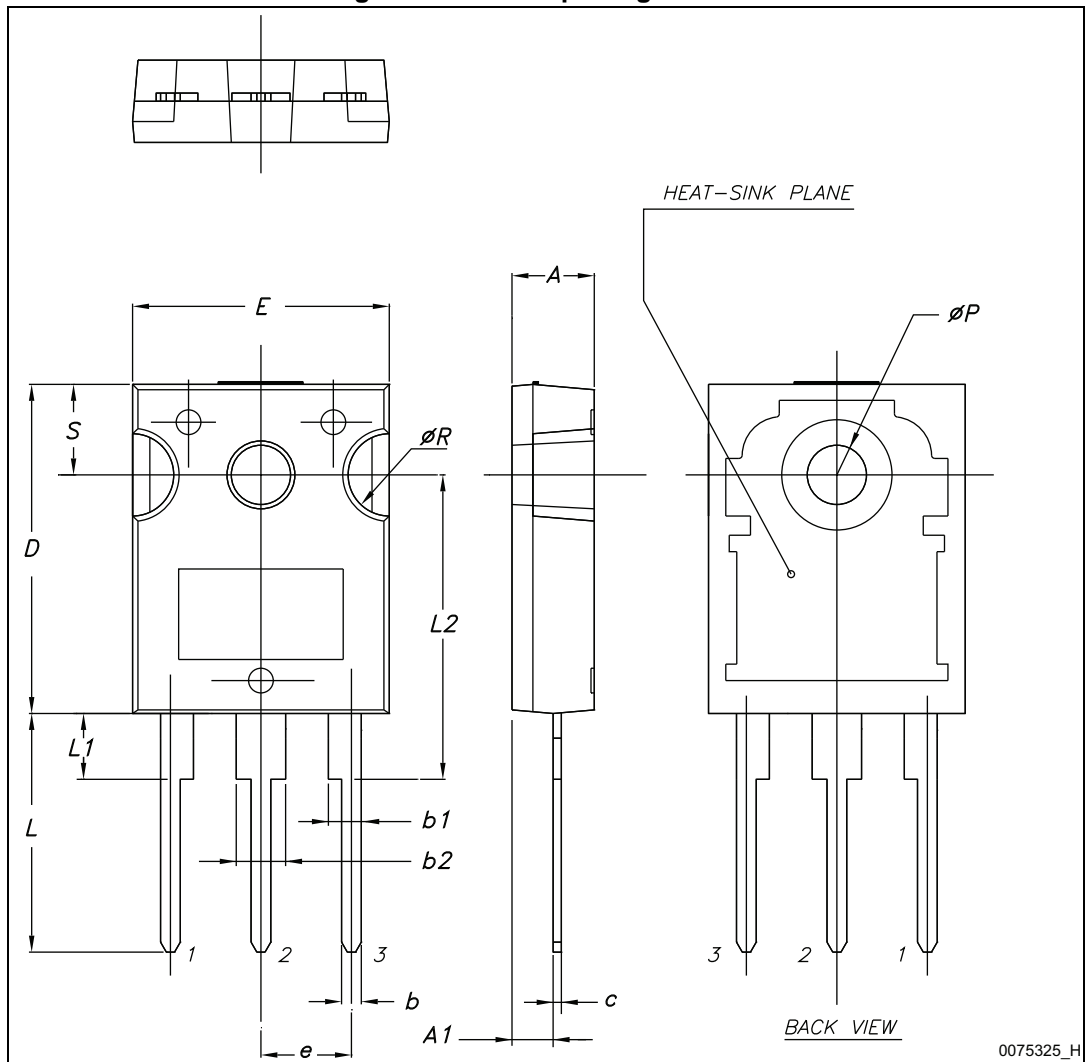


Table 9. TO-220 type A package mechanical data

Dim.	mm		
	Min.	Typ.	Max.
A	4.40		4.60
b	0.61		0.88
b1	1.14		1.70
c	0.48		0.70
D	15.25		15.75
D1		1.27	
E	10		10.40
e	2.40		2.70
e1	4.95		5.15
F	1.23		1.32
H1	6.20		6.60
J1	2.40		2.72
L	13		14
L1	3.50		3.93
L20		16.40	
L30		28.90	
øP	3.75		3.85
Q	2.65		2.95

### 4.3 TO-247 package information

Figure 22. TO-247 package outline



0075325\_H

Table 10. TO-247 package mechanical data

Dim.	mm.		
	Min.	Typ.	Max.
A	4.85		5.15
A1	2.20		2.60
b	1.0		1.40
b1	2.0		2.40
b2	3.0		3.40
c	0.40		0.80
D	19.85		20.15
E	15.45		15.75
e	5.30	5.45	5.60
L	14.20		14.80
L1	3.70		4.30
L2		18.50	
ØP	3.55		3.65
ØR	4.50		5.50
S	5.30	5.50	5.70



# 5 Packing information

Figure 23. Tape

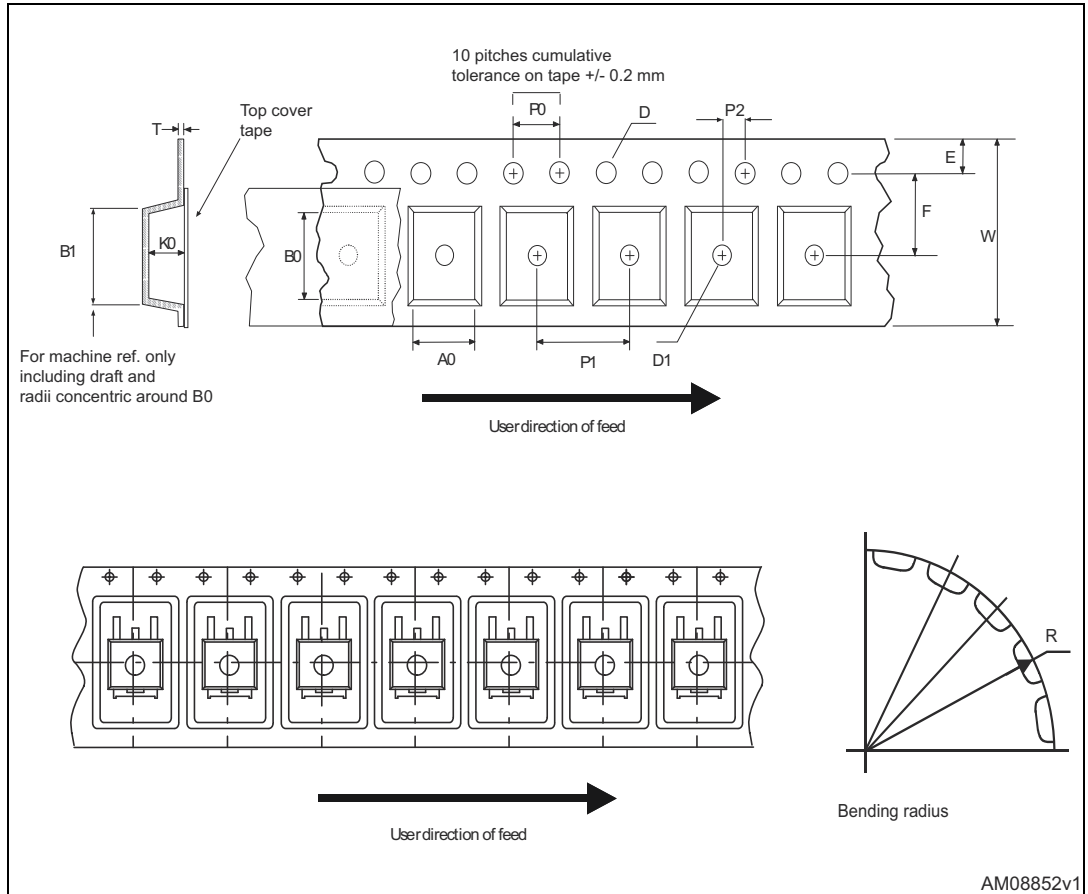


Figure 24. Reel

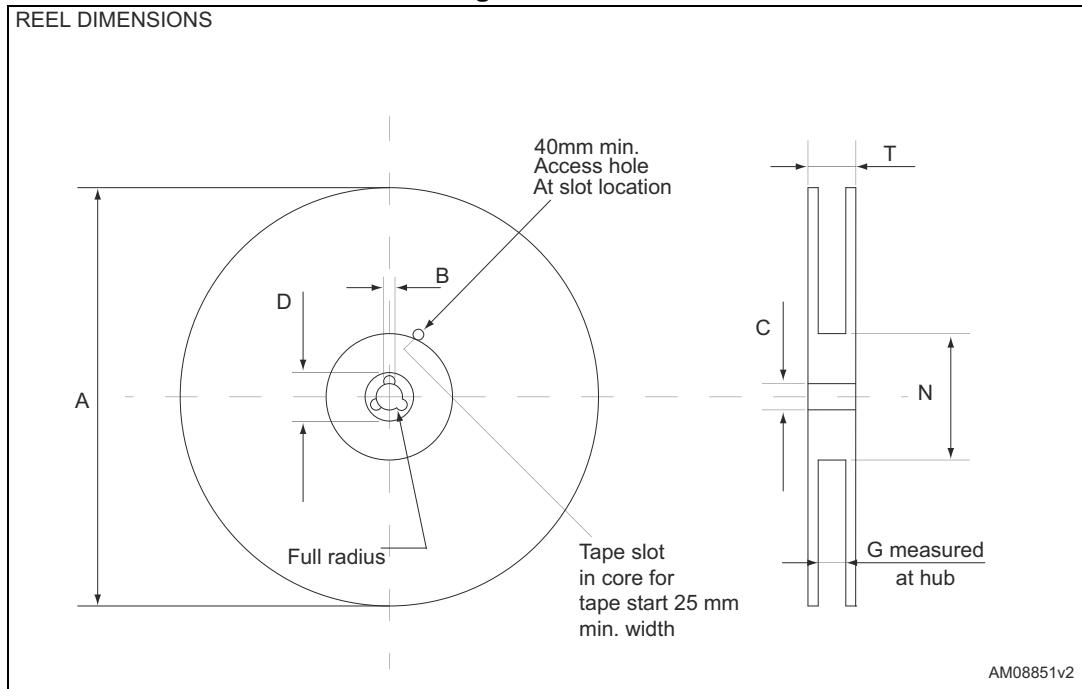


Table 11. D<sup>2</sup>PAK (TO-263) tape and reel mechanical data

Tape			Reel		
Dim.	mm		Dim.	mm	
	Min.	Max.		Min.	Max.
A0	10.5	10.7	A		330
B0	15.7	15.9	B	1.5	
D	1.5	1.6	C	12.8	13.2
D1	1.59	1.61	D	20.2	
E	1.65	1.85	G	24.4	26.4
F	11.4	11.6	N	100	
K0	4.8	5.0	T		30.4
P0	3.9	4.1			
P1	11.9	12.1	Base qty		1000
P2	1.9	2.1	Bulk qty		1000
R	50				
T	0.25	0.35			
W	23.7	24.3			

## 6 Revision history

Table 12. Document revision history

Date	Revision	Changes
07-Jun-2004	4	Stylesheet update. No content change
14-May-2008	5	Inserted D <sup>2</sup> PAK
18-Jun-2015	6	Updated <a href="#">Table 1: Device summary</a> . Updated <a href="#">Section 4: Package information</a> and <a href="#">Section 5: Packing information</a> .

**IMPORTANT NOTICE – PLEASE READ CAREFULLY**

STMicroelectronics NV and its subsidiaries ("ST") reserve the right to make changes, corrections, enhancements, modifications, and improvements to ST products and/or to this document at any time without notice. Purchasers should obtain the latest relevant information on ST products before placing orders. ST products are sold pursuant to ST's terms and conditions of sale in place at the time of order acknowledgement.

Purchasers are solely responsible for the choice, selection, and use of ST products and ST assumes no liability for application assistance or the design of Purchasers' products.

No license, express or implied, to any intellectual property right is granted by ST herein.

Resale of ST products with provisions different from the information set forth herein shall void any warranty granted by ST for such product.

ST and the ST logo are trademarks of ST. All other product or service names are the property of their respective owners.

Information in this document supersedes and replaces information previously supplied in any prior versions of this document.

© 2015 STMicroelectronics – All rights reserved

# Mouser Electronics

Authorized Distributor

Click to View Pricing, Inventory, Delivery & Lifecycle Information:

[STMicroelectronics:](#)

[STGP20NC60V](#) [STGW20NC60V](#) [STGB20NC60V](#)