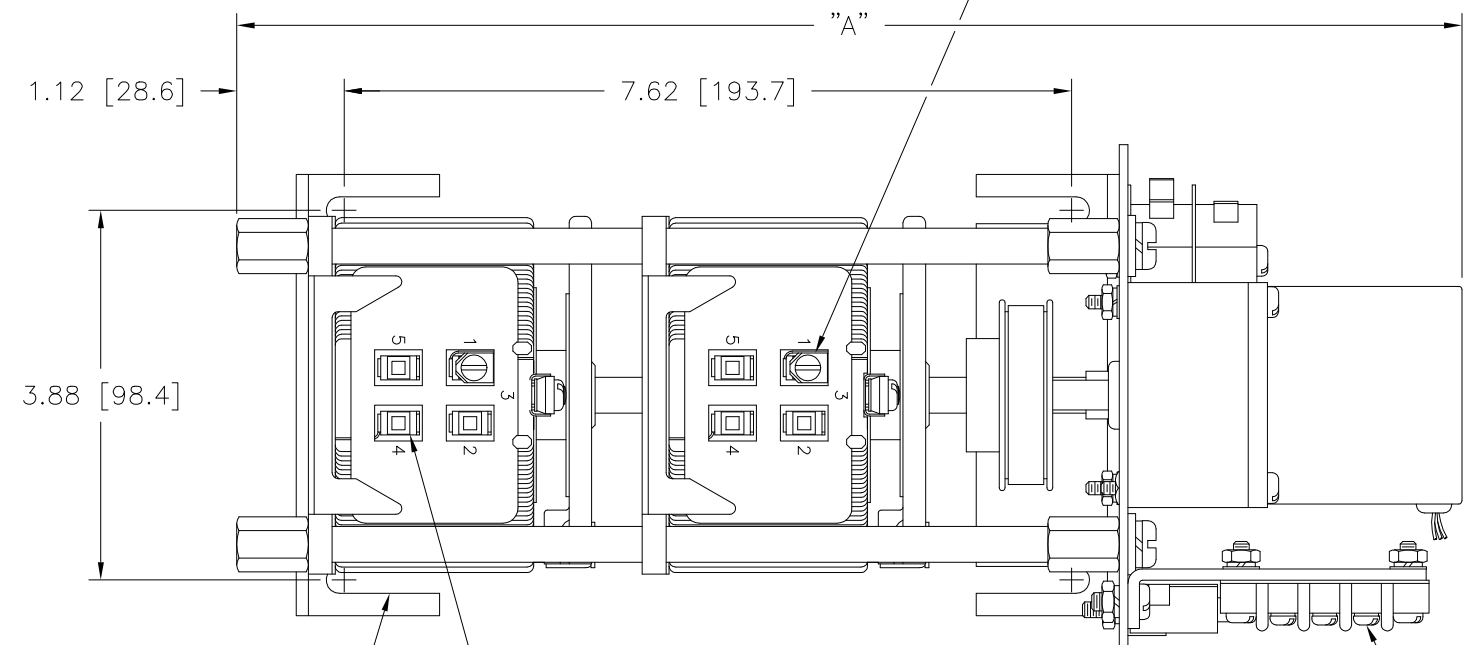


(4) STANDOFFS TAPPED 1/4-28 X .38 [9.5] DEEP FOR MTG. BOLTS

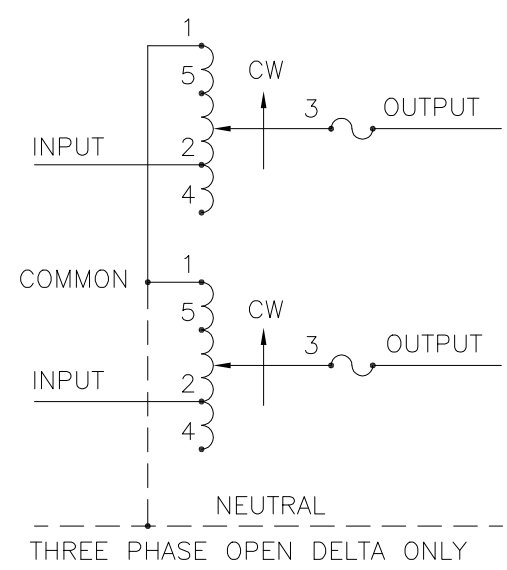


.28 [7.1] WIDE SLOT (4) PLACES FOR CUSTOMER MOUNTING

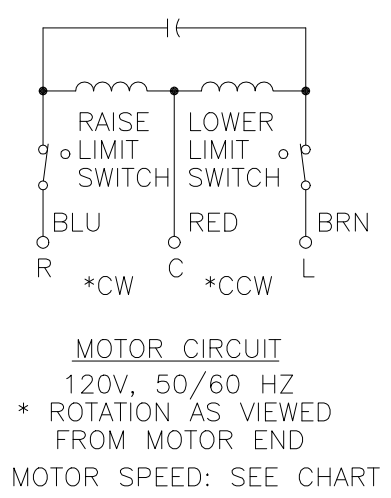
.25 [6.4] WIDE X .03 [0.8] THICK QUICK CONNECT TERMINALS WITH SOLDER LUGS AT OPPOSITE ENDS

MOTOR DRIVE TERMINALS #6-32 SCREWS

PUSH-ON #6-32 SCREW TERMINAL - USED FOR JUMPER CONNECTIONS



THREE PHASE OPEN DELTA ONLY
 SCHEMATIC
 THREE PHASE OPEN DELTA AND SINGLE PHASE SERIES. FUSE RECOMMENDED BUT NOT SUPPLIED.



MOTOR CIRCUIT
 120V, 50/60 HZ
 * ROTATION AS VIEWED FROM MOTOR END
 MOTOR SPEED: SEE CHART

NOTE:
 UNIT IS SUPPLIED WITH OPTIONAL PUSH-ON #6-32 SCREW TERMINALS FOR TRANSFORMER CONNECTIONS.

- ∩ IF GANGED UNITS ARE USED IN A SYSTEM THAT ORDINARILY HAS A COMMON NEUTRAL OR GROUND BETWEEN SOURCE AND LOAD, THE NEUTRAL OR GROUND MUST BE CONNECTED TO THE COMMON TERMINALS OF THE VARIABLE TRANSFORMER ASSEMBLY. IF THE SYSTEM HAS NO NEUTRAL, THE LOAD MUST BE BALANCED OR THE TRANSFORMER WILL BE DAMAGED.
- ++ LINE TO LINE VOLTAGE.
- JUMPER PROVIDED IN STANDARD COMMON POSITION AND SHOULD BE MOVED OR REMOVED AS REQUIRED.
- + MOTOR DRIVEN UNITS USE TERMINAL CONNECTIONS FOR CCW INCREASING VOLTAGE, AS VIEWED FROM BASE END.

SPECIFICATIONS											
WIRING	INPUT		OUTPUT				SHAFT ROTATION TO INCREASE VOLTAGE	TERMINAL CONNECTIONS			
	VOLTS	HERTZ	VOLTS	CONSTANT CURRENT LOAD		CONSTANT IMPEDANCE LOAD		FOR INCREASING VOLTAGE AS VIEWED FROM BASE END +			
				MAX. AMPS	MAX. KVA	MAX. AMPS		MAX. KVA	INPUT	JUMPER ■	OUTPUT
SINGLE PHASE SERIES	240	50/60	0-240	5.0	1.2	7.0	1.68	CW	1-1	4-4	3-3
			0-280	5.0	1.4	—	—	CCW	4-4	1-1	3-3
	120	50/60	0-120	5.0	1.04	7.0	1.46	CW	5-5	4-4	3-3
			0-140	5.0	1.21	—	—	CCW	2-2	1-1	3-3
THREE PHASE OPEN DELTA ∩	120	50/60	0-120	5.0	1.04	7.0	1.46	CW	1-4-1	4-4	3-4-3
			0-140	5.0	1.21	—	—	CCW	4-1-4	1-1	3-1-3
	++	50/60	0-120	5.0	1.04	7.0	1.46	CW	5-4-5	4-4	3-4-3
			0-140	5.0	1.21	—	—	CCW	2-1-2	1-1	3-1-3

SPEED (SECONDS)	MODEL NUMBER	DIM "A"
5	5M501C-2	12.84 [326.1]
15	15M501C-2	12.84 [326.1]
30	30M501C-2	13.23 [336.0]
60	60M501C-2	13.23 [336.0]

UNLESS OTHERWISE SPECIFIED, TOLERANCE IS # DECIMALS HOLES ANGLES DRAFT UNITS IN [mm] XX .0005 .002 1° 1-1/2°

MATERIAL: ALL DIMENSIONS APPLY AFTER PLATING

THE INFORMATION AND DESIGN DISCLOSED HEREIN WAS ORIGINATED BY AND IS THE PROPERTY OF STACO ENERGY PRODUCTS CO., WHICH RESERVES ALL PATENT, PROPRIETARY, DESIGN, MANUFACTURING, REPRODUCTION, USE AND SALE RIGHTS THEREIN, AND TO ANY ARTICLE DISCLOSED THEREIN EXCEPT TO THE EXTENT RIGHTS ARE EXPRESSLY GRANTED TO OTHERS. THE FOREGOING DOES NOT APPLY TO VENDOR PROPRIETARY PARTS.

TITLE: SPEC. CONTROL DRAWING VARIABLE TRANSFORMER MODEL: M501C-2

STACO ENERGY PRODUCTS CO. A COMPONENTS CORPORATION OF AMERICA COMPANY DAYTON, OHIO U.S.A.

DRAWN BY: TIM RAU DATE: 3/16/99 FIRST USED ON: DO NOT SCALE DWG. CUSTOMER APPROVAL: DATE:

CHECKER: DATE: WEIGHT APPROX. 19 LBS CODE IDENT. NO. 83008 DWG. NO. 031-0594

ENGINEER: DATE: SCALE 1=1 SHEET 1 OF 1 D

Mouser Electronics

Authorized Distributor

Click to View Pricing, Inventory, Delivery & Lifecycle Information:

Staco:

[30M501C-2](#)