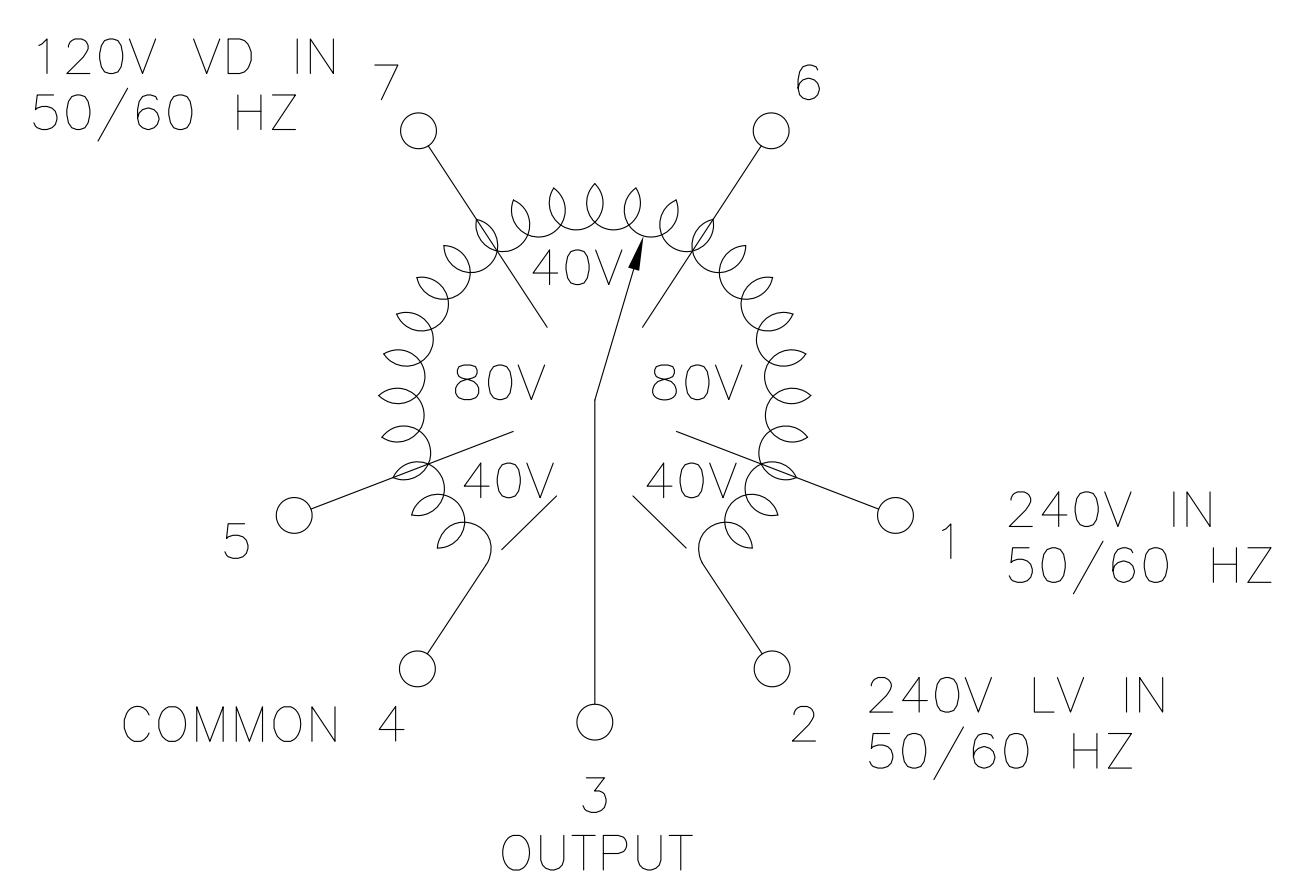
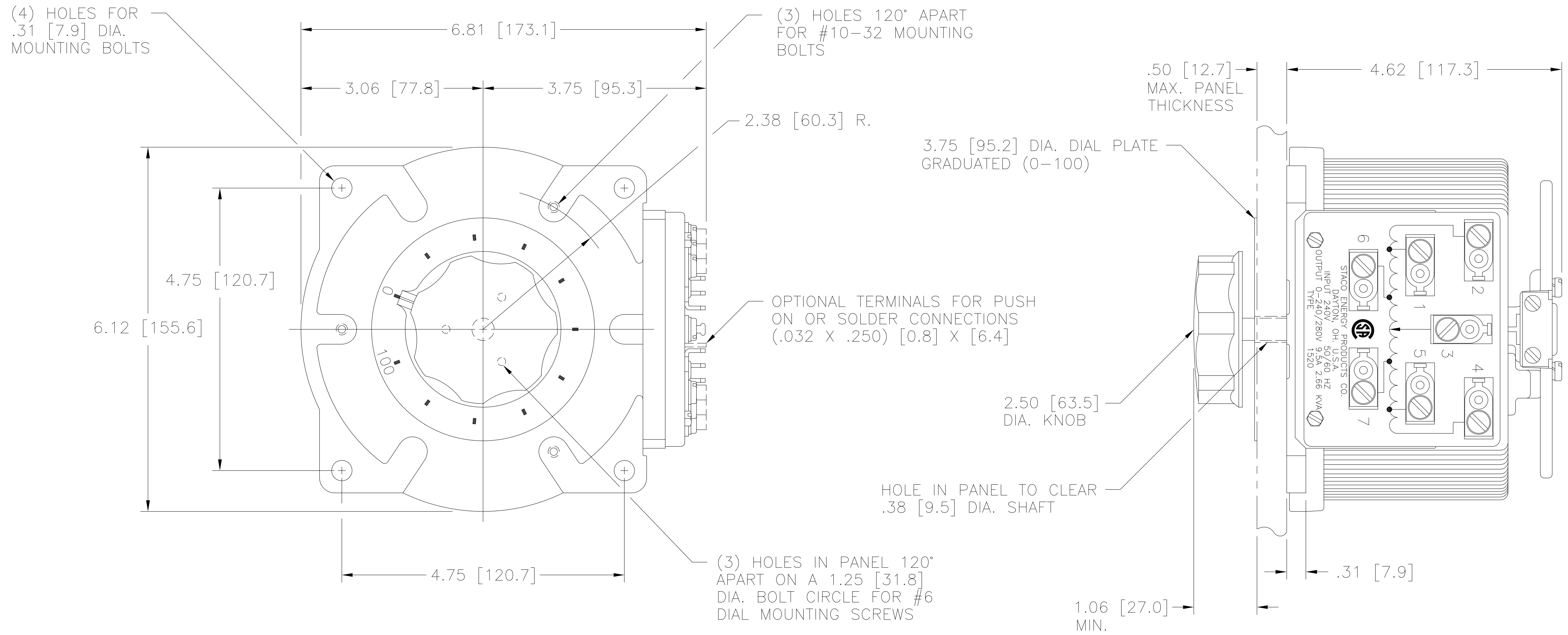


DWG. NO.	031-3901		
REVISIONS			
SYM.	E.C.G.	DATE	APVD.
A	21675	12/03/91	REVISED & REDRAWN
B	23899	12/17/98	UPDATED TERM. BOARD
C	25108	4/22/03	ADDED 2.38 R DIM
D	25433	8/23/04	CHGD. 120V TO 240V
E	25803	10/16/06	ADDED CSA LOGO
F	28873	6/22/17	CORRECTED NOTE "#"



SCHEMATIC
VIEW FROM BASE END

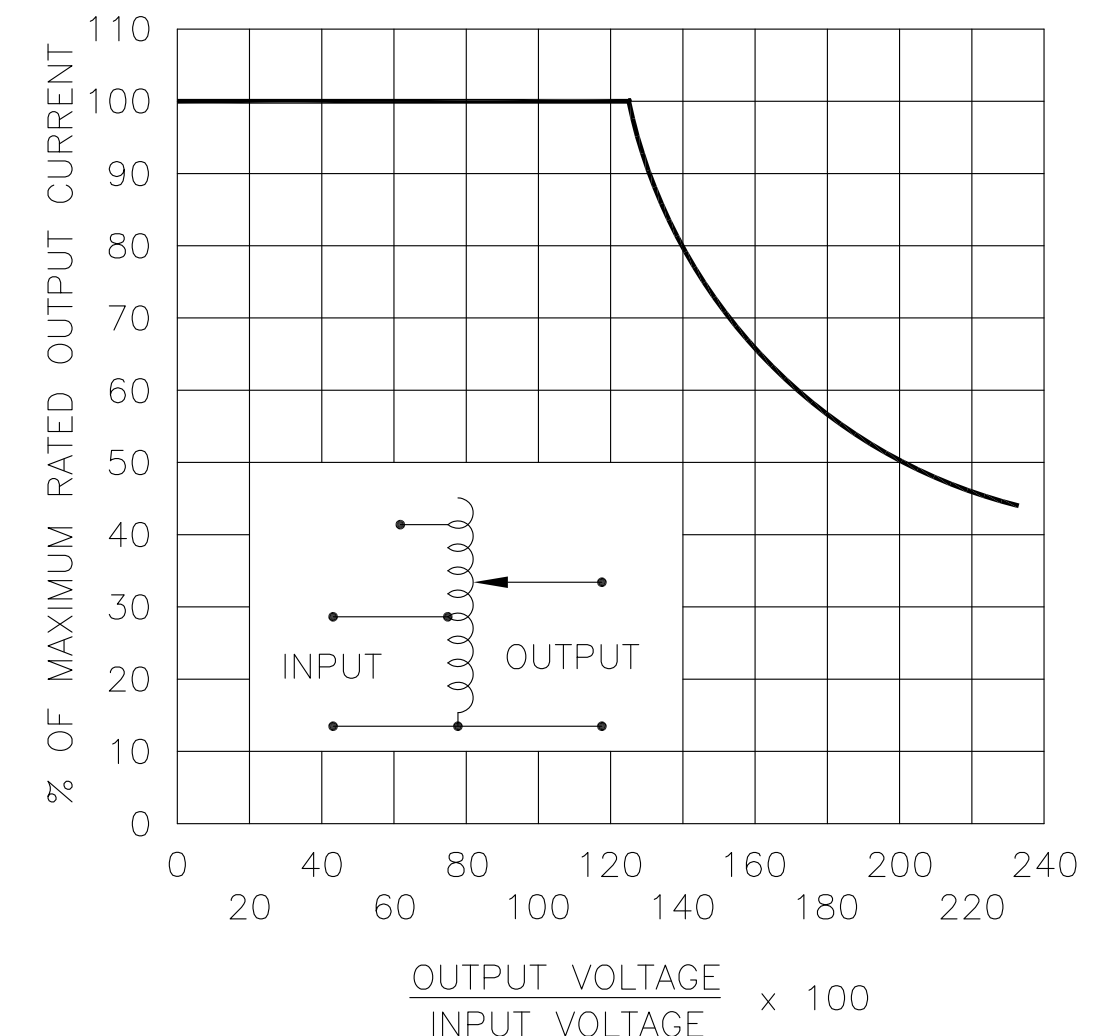


FIGURE A
MAXIMUM OUTPUT CURRENT OF ANY DUAL INPUT VOLTAGE OR VOLTAGE DOUBLER UNIT OPERATED AT LOWER INPUT VOLTAGE.

§ MAXIMUM KVA AT MAXIMUM OUTPUT VOLTAGE AND CORRESPONDING DERATED OUTPUT CURRENT. MAXIMUM KVA FOR LOWER VOLTAGES MAY BE CALCULATED FROM DERATING CURVE FIGURE A.

MAXIMUM OUTPUT CURRENT IN OUTPUT VOLTAGE RANGE FROM 0 TO 25% ABOVE LINE VOLTAGE. AT HIGHER OUTPUT VOLTAGES, OUTPUT CURRENT MUST BE REDUCED ACCORDING RATING CURVE, FIGURE A.

WIRING	INPUT		OUTPUT				SHAFT ROTATION FOR VOLTAGE INCREASE	TERMINAL CONNECTIONS			
	VOLTS	HERTZ	VOLTS	CONSTANT CURRENT LOAD		CONSTANT IMPEDANCE LOAD		(FOR INCREASING VOLTAGE) AS VIEWED FROM BASE END			
				MAX AMPS	MAX KVA	MAX AMPS		MAX KVA	INPUT	JUMPERS	OUTPUT
SINGLE PHASE	240	50/60	0-240	9.5	2.28	12	2.88	CW	2-4	-	4-3
			0-280	9.5	2.66	-	-	CCW	2-4	-	2-3
	120	50/60	0-280	9.5#	1.14 §	-	-	CW	1-4	-	4-3
								CCW	5-2	-	2-3

UNLESS OTHERWISE SPECIFIED, TOLERANCE IS ± DECIMALS: HOLES .005 ANGLES 1° DRAFT 1-1/2° UNITS IN [mm]

MATERIAL: ALL DIMENSIONS APPLY AFTER PLATING.

TITLE: SPEC. CONTROL DRAWING VARIABLE TRANSFORMER MODEL 1520

DRAWN BY: K. TOLLIVER DATE: 11/26/91 FIRST USED ON: 1520 DO NOT SCALE DWG.

CHECKER: DATE: WEIGHT APPROX: 19.25 LBS. CASE CODE: 83008 DWG. NO. 031-3901

ENGINEER: DATE: SCALE: 1=1 SHEET 1 OF 1

STACO ENERGY PRODUCTS CO. A Components Corporation of America Company 301 Gessie Boulevard Dayton, Ohio 45403 USA

Mouser Electronics

Authorized Distributor

Click to View Pricing, Inventory, Delivery & Lifecycle Information:

[Staco:](#)

[1520](#)