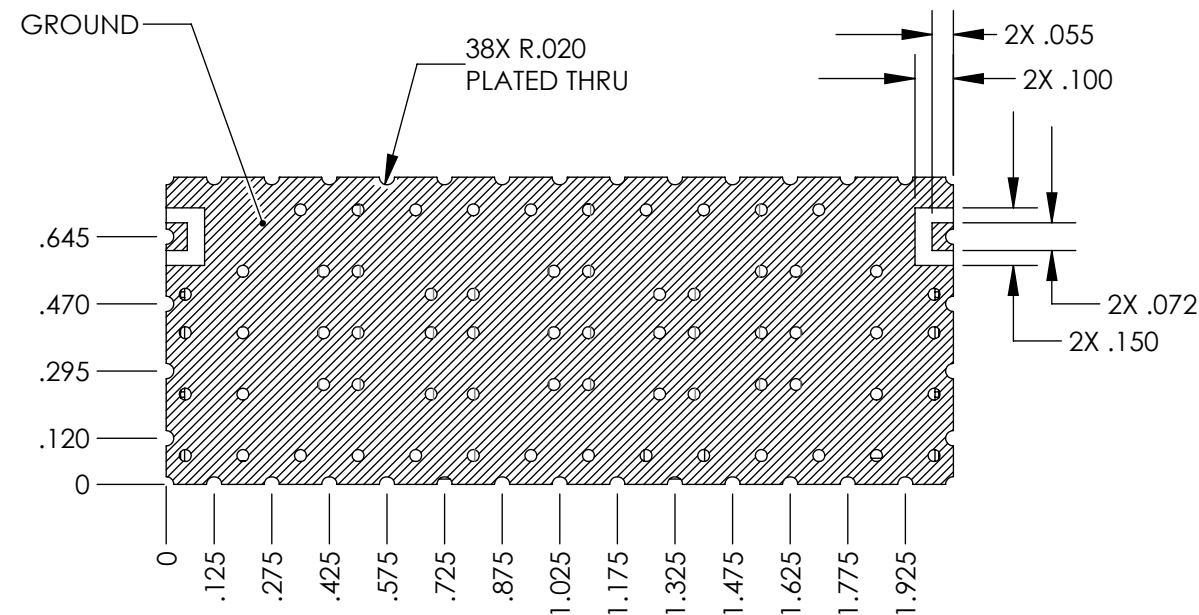
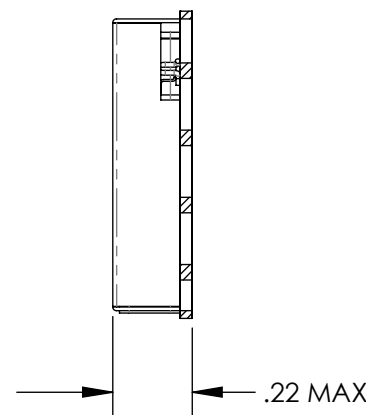
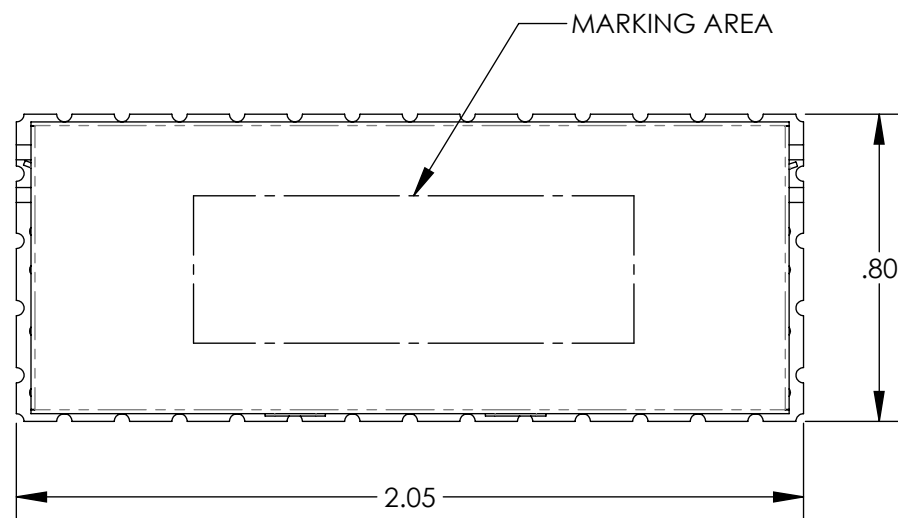


NOTES:

1. MATERIAL: ROGERS RO4003, NICKEL ALLOY.
2. FINISH: GOLD, NICKEL PLATE.
3. ELECTRICAL SPECIFICATIONS:
 STOPBAND = 869 MHz TO 894 MHz MIN
 35 dBc MIN FROM 869 MHz TO 894 MHz
 I.L. = 2.0 dB MAX OVER 10 MHz TO 849 MHz
 I.L. = 2.0 dB MAX OVER 914 MHz TO 2000 MHz
 R.L. = 9.5 dB MIN FROM 10 MHz TO 849 MHz MIN (REF 50 Ω)
 R.L. = 9.5 dB MIN FROM 914 MHz TO 2000 MHz MIN (REF 50 Ω)
 POWER = 1 W MAX C.W. WITHIN 10 TO 849 MHz AND 914 TO 2000 MHz ONLY
4. ENVIRONMENTAL SPECIFICATIONS:
 OPERATING TEMPERATURE = -40 TO +85 °C
 STORAGE TEMPERATURE = -40 TO +85 °C
5. DEVICE TEMPERATURE DURING REFLOW NOT TO EXCEED 215°C.

REVISIONS				
ECN	REV.	DESCRIPTION	CHNG/DATE	APPVD/DATE
07870	0	MANUFACTURING RELEASE	MDP, 2014-08-18	CR, 2014-08-19
17-0233	1	DELMAR FORMAT	MDP/2017-07-17	MPN/2017-07-25



SEE SEPARATE PARTS LIST IN ELECTRONIC STORAGE

WARNING: This document contains technical data whose export is restricted by the Arms Export Control Act (Title 22, U.S.C., sec. 2751, et seq.) or the Export Administration Act of 1979, as amended, Title 50, U.S.C., App. 2401 et seq. Violation of these export laws are subject to severe criminal penalties.

<p>UNLESS OTHERWISE SPECIFIED</p> <p>* INTERPRET DRAWING IAW ASME Y14.100-2004</p> <p>* DIMENSIONING AND TOLERANCING IAW ASME Y14.5-1994</p> <p>* PARENTHEetical INFORMATION FOR REFERENCE ONLY</p> <p>* DIMENSIONAL LIMITS APPLY BEFORE PROCESSES</p> <p>* DIMENSIONS ARE IN INCHES</p> <p>* TOLERANCES ARE: ANGLES ±1.0° 2 PLACE DECIMAL ±.02 3 PLACE DECIMAL ±.005</p> <p>* SURFACE FINISH 63</p> <p>* REMOVE ALL BURRS AND SHARP EDGES .010 RAD MAX. * CONCENTRICITY MACHINED DIA: .002 FIM</p>	3rd ANGLE PROJECTION		<p>SPECTRUM CONTROL, INC.</p> <p>38166 Old Stage Road Delmar, DE 19940-3550 (USA)</p>					
	ANSI						<p>SALES DRAWING,</p> <p>BOM09787</p> <p>(NS881.5-25-7-2)</p>	
	DRAWN	DATE	TITLE		SIZE	CAGE CODE		
	CHECKED				B	67021	STO-6613	1
	ENGRG		SCALE:		SHEET		1 OF 1	
	MFG							
QA								
DO NOT SCALE DRAWING								

Mouser Electronics

Authorized Distributor

Click to View Pricing, Inventory, Delivery & Lifecycle Information:

[Spectrum Control:](#)

[BOM09787](#)