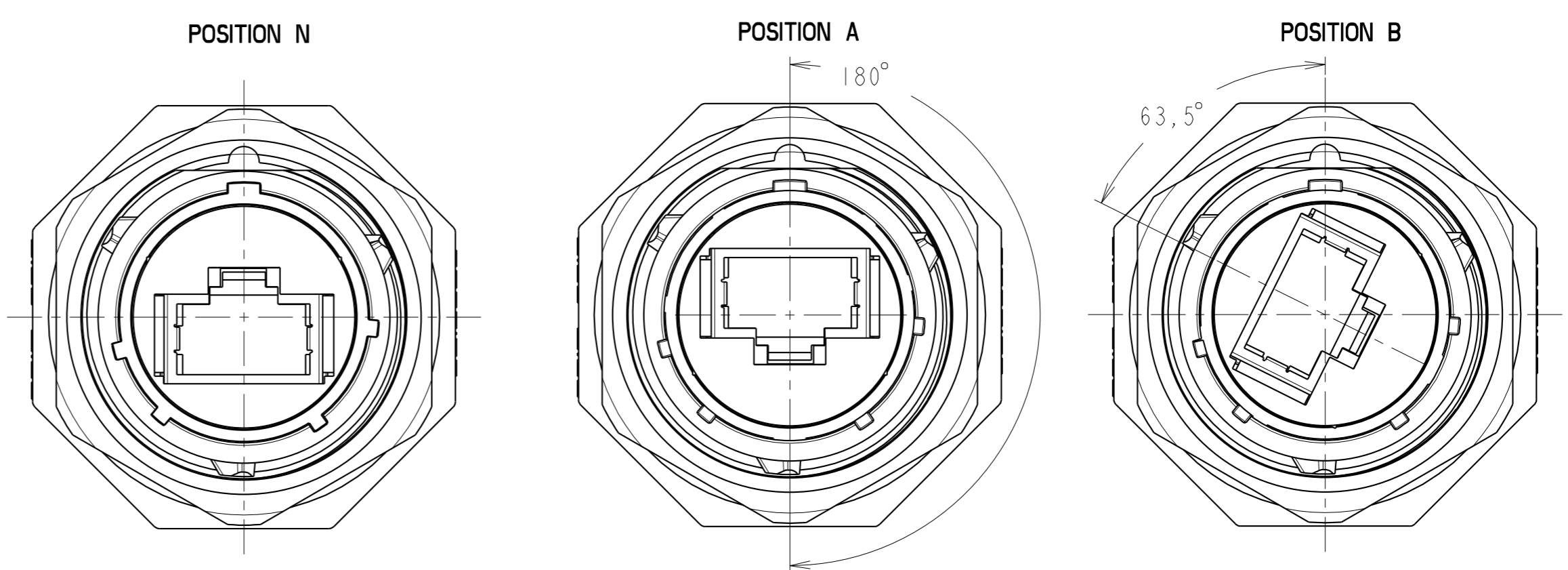


**POLARIZATION  
ALTERNATIVE KEY WAY POSITIONS**



**MATERIAL:**  
 Shell: PA 66 UL94 V0  
 Insert: PA 66 UL94 V0  
 Seal gasket: Silicone

**PERFORMANCE CHARACTERISTICS :**  
 Operating temperature: -40°C up to 85°C  
 Corrosion salt spray: 500 hours salt spray  
 Durability: 250 matings and unmatings  
 Sealing : IP67  
 RJ45 component : Cat 5 E

**NOTES**

UTS7 18 RJ F \*

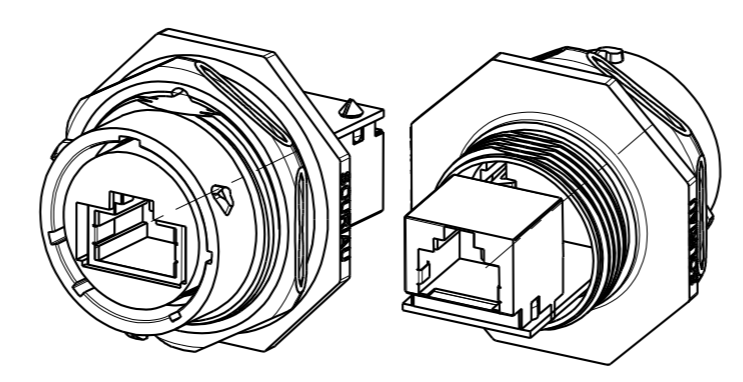
Receptacle UTS \_\_\_\_\_

Shell size \_\_\_\_\_

Insert arrangement \_\_\_\_\_

Feedthru \_\_\_\_\_

Insert polarisation:  
 N :: standard version  
 A,B: Different orientations



g	06/05/08	First issue		--
ISS	DATE	Latest modification - by:		M. RAGAINÉ MOD N°
Designed by:		M. RAGAINÉ Date: 05/05/08	CUSTOMER DRAWING	
TITLE		CONNECTOR UTS RJ 45 CAT5 EQUIPMENT		
Scale	1/1	General linear Tolerances: ±0.2	NPRDS / PROJECT <b>UTS1</b>	
		WWW.SOURIAU.COM		This document is the property of SOURIAU. It must not be reproduced or communicated without permission.
FORMAT	A2	SOURIAU DRG N° UTS718RJF-X-C		SHEET
<b>NOT EXPORT CONTROLLED</b>				

# Mouser Electronics

Authorized Distributor

Click to View Pricing, Inventory, Delivery & Lifecycle Information:

[Souriau:](#)

[UTS718RJFN](#)