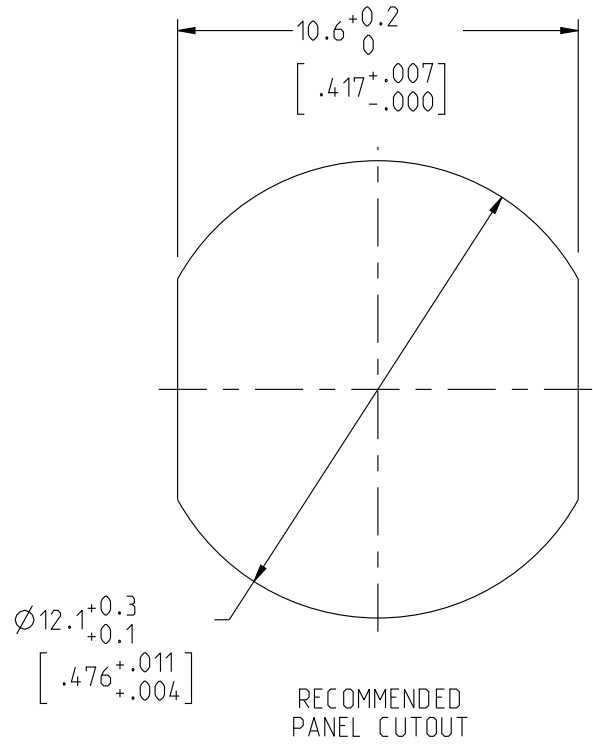


**JBXE1C**

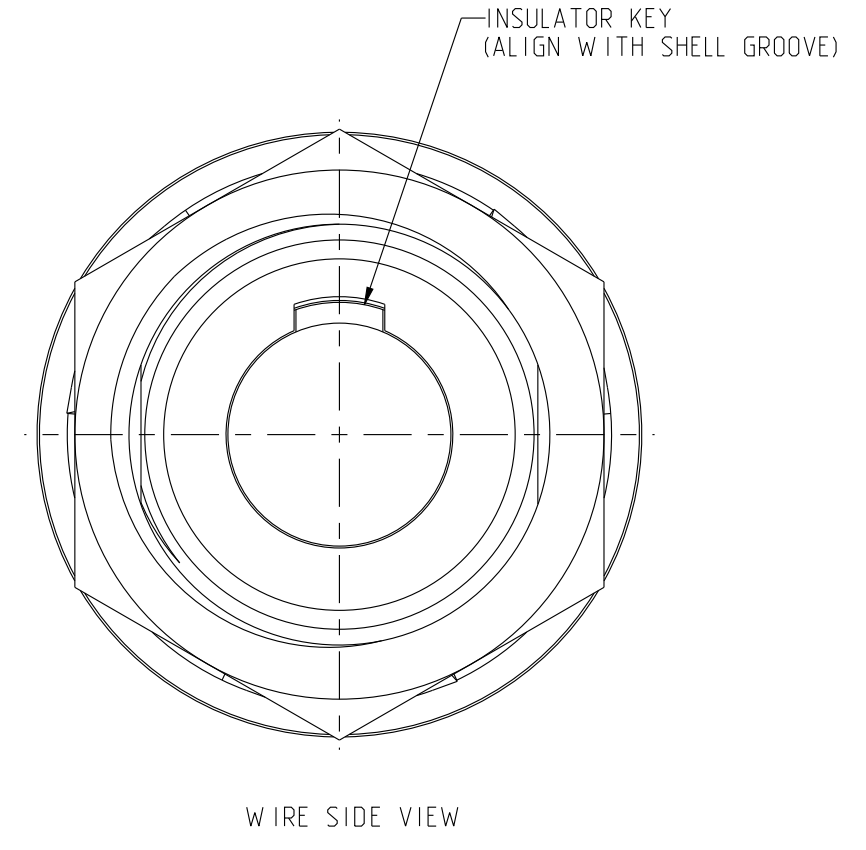
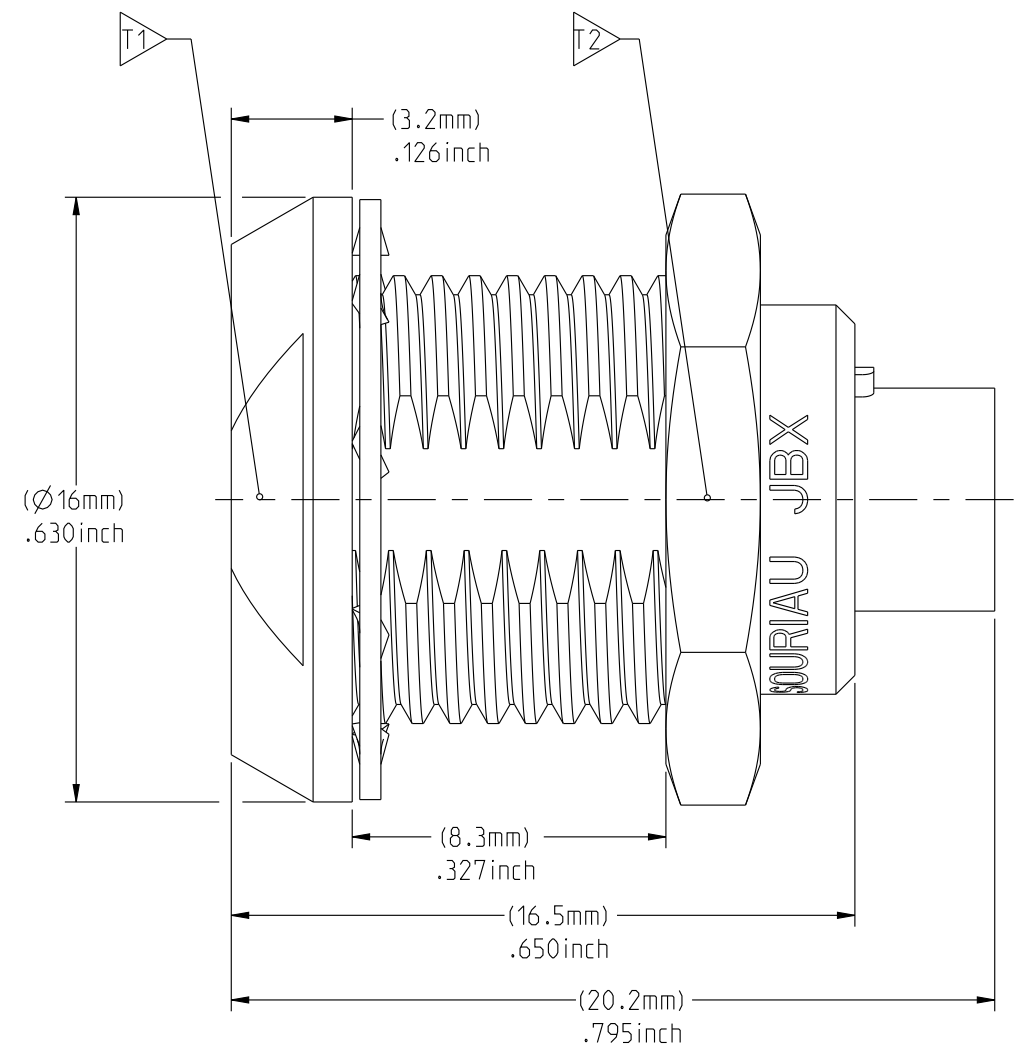
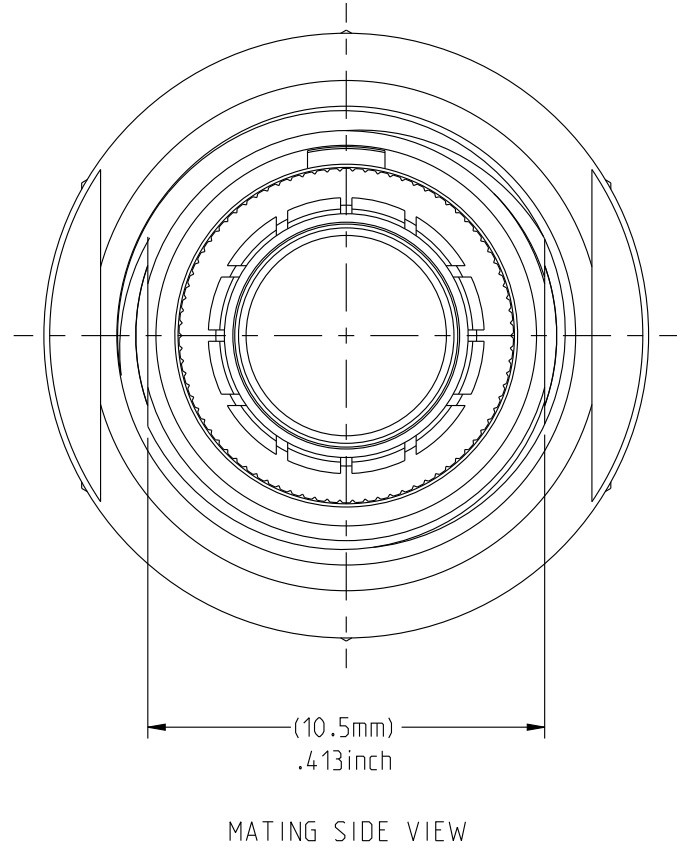
|          |                           |
|----------|---------------------------|
| MASS (g) | VOLUME (mm <sup>3</sup> ) |
| 8.9      | 1531                      |

**ELECTRICAL :**  
 EMI SHIELDING : SHIELDED FOR THE RANGE 55dB UP TO 100MHz  
 INSULATION RESISTANCE : >500MΩ PER ANSI-EIA-364-D METHOD 21  
 MAX. CURRENT RATING : SEE INSULATOR DRAWING  
 CONNECTOR TESTING : SEE INSULATOR DRAWING  
 VOLTAGE  
 CONNECTOR WORKING : SEE INSULATOR DRAWING  
 VOLTAGE

**ENVIRONMENTAL :**  
 ENDURANCE: 1000 CYCLES AS PER MIL-STD 1344A, METHOD 2016.1  
 SHOCK: 50 g , DURATION 6 ms; AS PER MIL-STD 1344A, METHOD 2004.1  
 VIBRATIONS: 10 TO 2000Hz g = 20g, AS PER MIL-STD 1344A, METHOD 2005.1  
 PROTECTION INDEX: IP 40 AS PER IEC 529  
 ROHS COMPLIANT  
 SALT MIST : 48hr PER SAE AS 1344 METHOD 1001.1 CEI 529  
 OPERATING TEMPERATURE: -55°C TO +125°C (-67°F TO +257°F)



**NOTES:**  
**MATERIAL:**  
 OUTER SHELL & PANEL NUT : BRASS  
 SHIELD RING & NUT :  
**FINISH:**  
 OUTER SHELL & PANEL NUT : CHROME  
 OTHER BRASS PARTS : NICKEL  
**TOOLS**



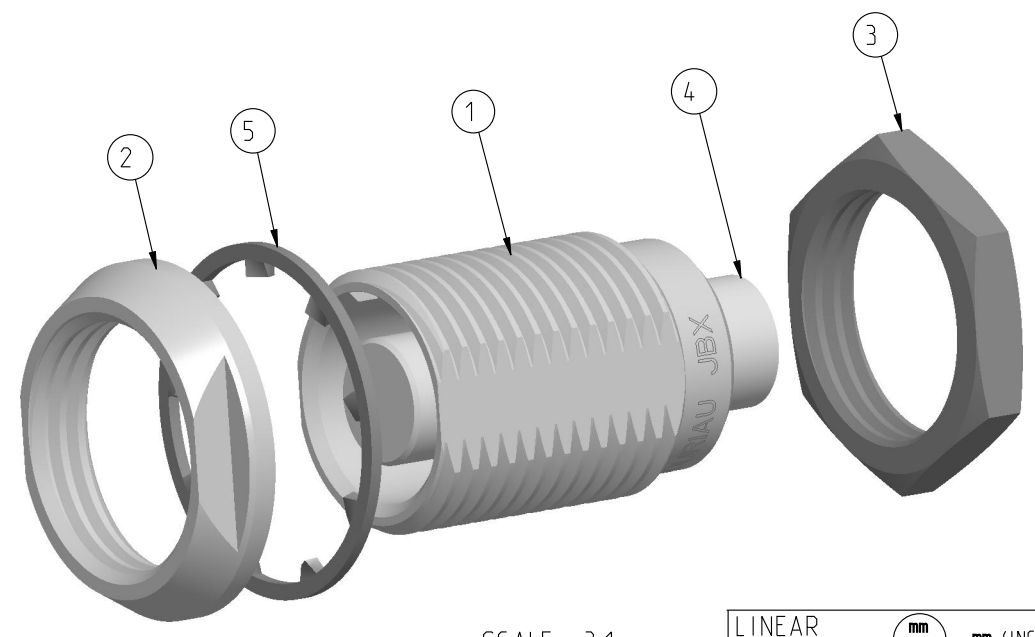
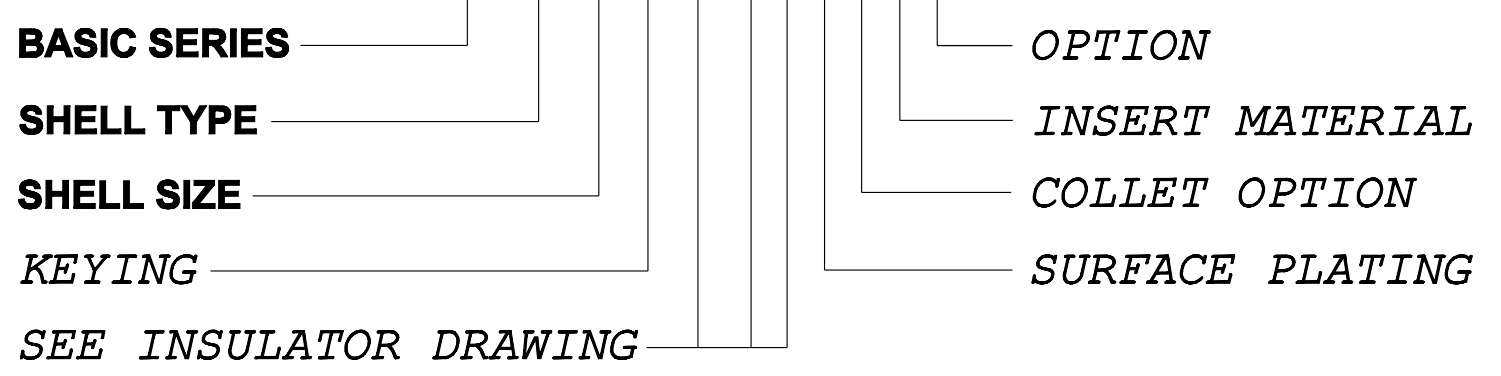
| PART LIST |             |
|-----------|-------------|
| ITEM NO.  | DESCRIPTION |
| 1         | SHELL       |
| 2         | PANEL NUT   |
| 3         | HEX NUT     |
| 4         | INSULATOR   |
| 5         | LOCK WASHER |

|    | TOOLS (JAW DIMENSION) | ADVISED TORQUE IN Nm |
|----|-----------------------|----------------------|
| T1 | 13                    | 1.3                  |
| T2 | 14                    | 1.3                  |

THIS DRAWING IS A CONTROLLED DOCUMENT FOR SOURIAU USA, INC. IT IS SUBJECT TO CHANGE WITHOUT NOTIFICATION. CONTACT THE DOCUMENT CONTROL CENTER FOR THE LATEST REVISION.

**CATALOG NUMBER DESCRIPTION**

**JBX EA 1 XXXXXDX -**



SCALE 3:1

| ORIGIN | COUNTRY | JURISDICTION | CLASSIFICATION |
|--------|---------|--------------|----------------|
| X      | FR      | Not listed   | N/A            |
|        | US      | EAR          | ECCN =EAR99    |

LINEAR MEASURE: mm (INCH)

THIRD ANGLE PROJECTION

TOLERANCES UNLESS OTHERWISE SPECIFIED

|               |              |
|---------------|--------------|
| No. OF PLACES | mm [INCH]    |
| WHOLE No.     | ±0.5 [±.02]  |
| ONE PLACE     | ±0.2 [±.008] |
| TWO PLACES    | ±0.1 [±.004] |

ANGLES ±1°

**DRAWING TITLE**  
**JBX, SIZE 1, DOUBLE NUT RECEPTACLE**

CAT NO. **JBXE1C**

CAGE NO: 09922 SIZE: C

**CUSTOMER**

INTERPRET THIS DRAWING IN ACCORDANCE WITH ASME Y14.5M - 1994.

**SOURIAU**  
 WWW.SOURIAU.COM

APPROVAL

|            |          |
|------------|----------|
| DRAWN: TJS | 01-07-15 |
| CHKD : EV  | 01-07-15 |
| DSGN : EV  | 01-07-15 |
| MFG : DH   | 01-07-15 |
| QC : BB    | 01-07-15 |

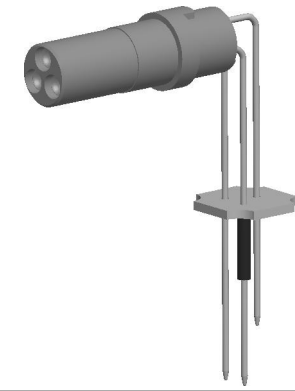
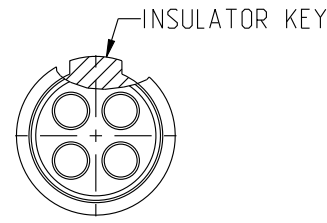
DRAWING SCALE: 5:1  
 DRAWING NO. **JBXE1C** REV **A**

1 OF 1

DWG. NO.  
JBX1INSFQC

**FEMALE INSULATOR, 90° PCB CONTACT**

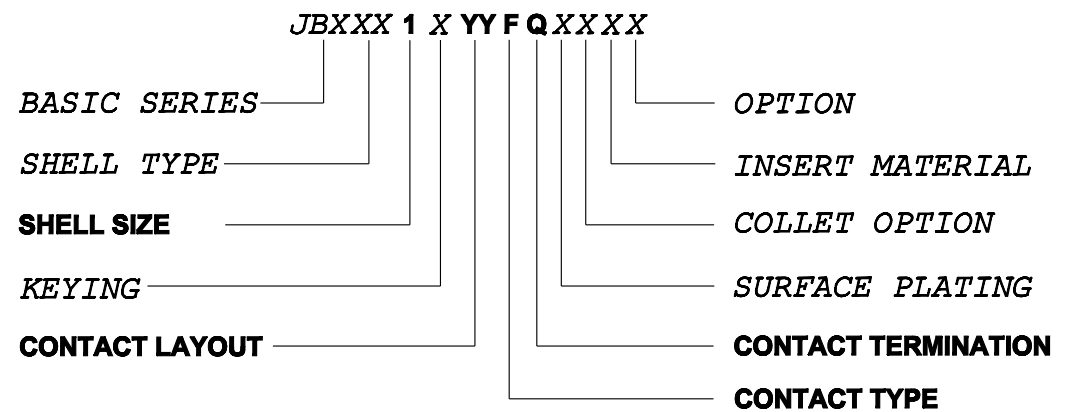
| CONTACT LAYOUT             | 03                      | 04      | 05      |
|----------------------------|-------------------------|---------|---------|
| FRONT SIDE VIEW            |                         |         |         |
| REAR SIDE VIEW             |                         |         |         |
| CONTACT                    |                         |         |         |
| ISO VIEW                   |                         |         |         |
| CONTACT                    | ØC                      | 1.3     | 0.9     |
|                            | ØF                      | 0.58    | 0.58    |
|                            | MAX. AWG                | -       | -       |
|                            | MAX. CURRENT RATING (A) | 15      | 10      |
| INSULATOR                  | CONTACT RESISTANCE (mΩ) | 3       | 3.5     |
|                            | NUMBER OF CAVITY        | 3       | 4       |
|                            | MAX. CURRENT RATING     | 12      | 10      |
|                            | TEST VOLTAGE (Vrms)     | 1300    | 1900    |
| WORKING VOLTAGE (Vdc/Vrms) | 600/420                 | 900/630 | 660/460 |



CONTACTS WILL BE ASSEMBLED TO INSULATOR BEFORE SHIPPING

**CONTACT TYPE :** F (FEMALE)  
**CONTACT TERMINATION :** Q (90° PCB)  
**MATERIAL :**  
 CONTACT: CUPRO NICKEL  
 CLIP: COPPER ALLOY  
 INSULATOR: PEEK  
**FINISH :**  
 CONTACTS : GOLD

**CATALOG NUMBER DESCRIPTION**



|     |                        |              |             |
|-----|------------------------|--------------|-------------|
| B   | REVISED PER ECN 12286  | RSK 06-10-15 | EV 06-10-15 |
| A   | RELEASED PER ECN 12264 | TJS 03-10-15 | EV 03-10-15 |
| REV | DESCRIPTION            | BY DATE      | CHKD DATE   |

DRAWING TITLE  
**JBX, SIZE 1, FEMALE INSULATOR, 90° PCB CONTACT**

|   |  |                |                     |         |  |
|---|--|----------------|---------------------|---------|--|
| CAT NO. <b>JBX1INSFQ</b>                                      |  | CAGE NO: 09922 |                     | SIZE: B |  |
| <b>CUSTOMER</b>   |  |                | <b>SOURIAU</b>      |         |  |
|   |  |                |                     |         |  |
| INTERPRET THIS DRAWING IN ACCORDANCE WITH ASME Y14.5M - 1994. |  |                | APPROVAL            |         |  |
|   |  |                | DRAWN: SKV 02-02-15 |         |  |
|   |  |                | CHKD : EV 02-02-15  |         |  |
|   |  |                | DSGN : EV 02-02-15  |         |  |
|   |  |                | MFG : DH 02-02-15   |         |  |
|   |  |                | QC : BB 02-02-15    |         |  |
|   |  |                | DRAWING SCALE: NA   |         |  |
|   |  |                | DRAWING NO. REV     |         |  |
|   |  |                | JBX1INSFQC B        |         |  |
|   |  |                | 1 OF 3              |         |  |

LINEAR MEASURE:  $\frac{mm}{INCH}$  mm (INCH)

THIRD ANGLE PROJECTION

TOLERANCES UNLESS OTHERWISE SPECIFIED

| No. OF PLACES | mm [INCH]     |
|---------------|---------------|
| ONE PLACE     | ±3 [±.1]      |
| TWO PLACES    | ±0.5 [±.02]   |
| THREE PLACES  | ±0.25 [±.010] |

ANGLES ±1°

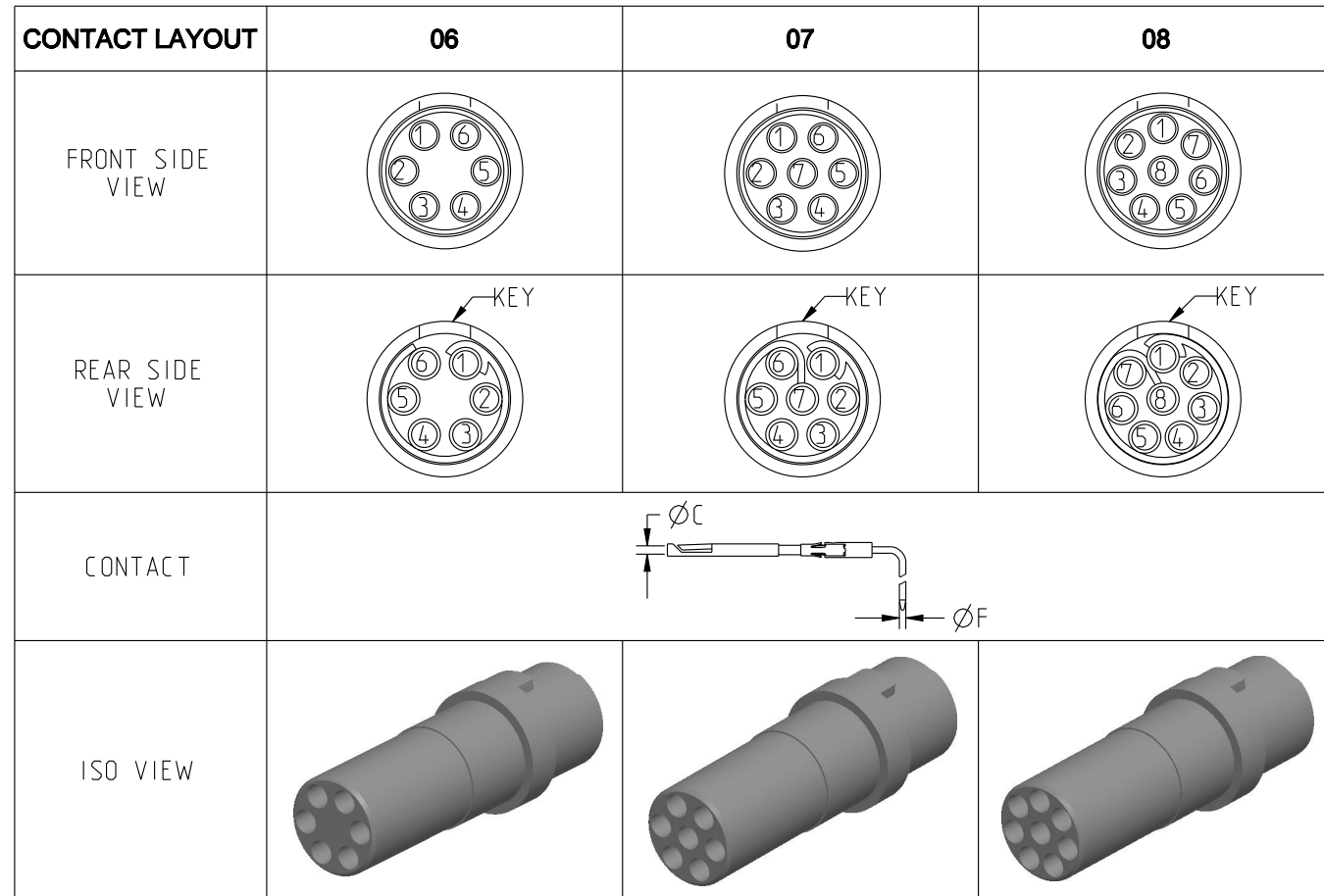
| ORIGIN | COUNTRY | JURISDICTION | CLASSIFICATION |
|--------|---------|--------------|----------------|
| X      | FR      | Not listed   | N/A            |
|        | US      | EAR          | ECCN =EAR99    |

These commodities, technology or software are exported from the United States in accordance with the Export Administration Regulations. Diversion contrary to U.S. law is prohibited

THIS DRAWING IS A CONTROLLED DOCUMENT FOR SOURIAU USA, INC. IT IS SUBJECT TO CHANGE WITHOUT NOTIFICATION. CONTACT THE DOCUMENT CONTROL CENTER FOR THE LATEST REVISION.

THE INFORMATION CONTAINED IN THIS DRAWING IS CONFIDENTIAL AND MAY NOT BE DISCLOSED WITHOUT WRITTEN CONSENT FROM SOURIAU USA, INC.

DWG. NO.  
JBX1INSFQC



|                            | 06      | 07      | 08      |
|----------------------------|---------|---------|---------|
| CONTACT                    |         |         |         |
| ØC                         | 0.7     | 0.7     | 0.7     |
| ØF                         | 0.58    | 0.58    | 0.58    |
| MAX. AWG                   | -       | -       | -       |
| MAX. CURRENT RATING (A)    | 7       | 7       | 7       |
| CONTACT RESISTANCE (mΩ)    | 5       | 5       | 5       |
| INSULATOR                  |         |         |         |
| NUMBER OF CAVITY           | 6       | 7       | 8       |
| MAX. CURRENT RATING        | 7       | 7       | 5       |
| TEST VOLTAGE (Vrms)        | 1400    | 1400    | 1200    |
| WORKING VOLTAGE (Vdc/Vrms) | 660/460 | 660/460 | 600/420 |

THIS DRAWING IS A CONTROLLED DOCUMENT FOR SOURIAU USA, INC. IT IS SUBJECT TO CHANGE WITHOUT NOTIFICATION. CONTACT THE DOCUMENT CONTROL CENTER FOR THE LATEST REVISION.

THE INFORMATION CONTAINED IN THIS DRAWING IS CONFIDENTIAL AND MAY NOT BE DISCLOSED WITHOUT WRITTEN CONSENT FROM SOURIAU USA, INC.

B

A

DRAWING TITLE  
**JBX, SIZE 1, FEMALE INSULATOR, 90° PCB CONTACT**

CAT NO. **JBX1INSFQ**

CAGE NO: 09922      SIZE: B

|   |                        |                    |                     |
|---|------------------------|--------------------|---------------------|
| <b>CUSTOMER</b>   | <b>SOURIAU</b>         | APPROVAL           | DRAWN: SKV 02-02-15 |
|   |                        | CHKD : EV 02-02-15 |                     |
| INTERPRET THIS DRAWING IN ACCORDANCE WITH ASME Y14.5M - 1994. | <b>WWW.SOURIAU.COM</b> | DSGN : EV 02-02-15 | DRAWING SCALE: NA   |
|   |                        | MFG : DH 02-02-15  | DRAWING NO. REV     |
|   |                        | QC : BB 02-02-15   | JBX1INSFQC B        |
|   |                        |                    | 2 OF 3              |

LINEAR MEASURE:  $\frac{mm}{INCH}$  mm (INCH)

THIRD ANGLE PROJECTION

TOLERANCES UNLESS OTHERWISE SPECIFIED

| No. OF PLACES | mm [INCH]     |
|---------------|---------------|
| ONE PLACE     | ±3 [±.1]      |
| TWO PLACES    | ±0.5 [±.02]   |
| THREE PLACES  | ±0.25 [±.010] |

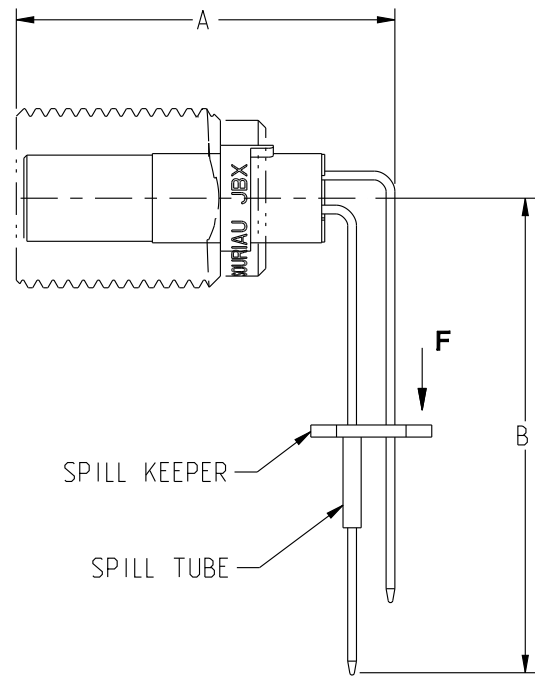
ANGLES ±1°

| ORIGIN | COUNTRY | JURISDICTION | CLASSIFICATION |
|--------|---------|--------------|----------------|
| X      | FR      | Not listed   | N/A            |
|        | US      | EAR          | ECCN =EAR99    |

These commodities, technology or software are exported from the United States in accordance with the Export Administration Regulations. Diversion contrary to U.S. law is prohibited.

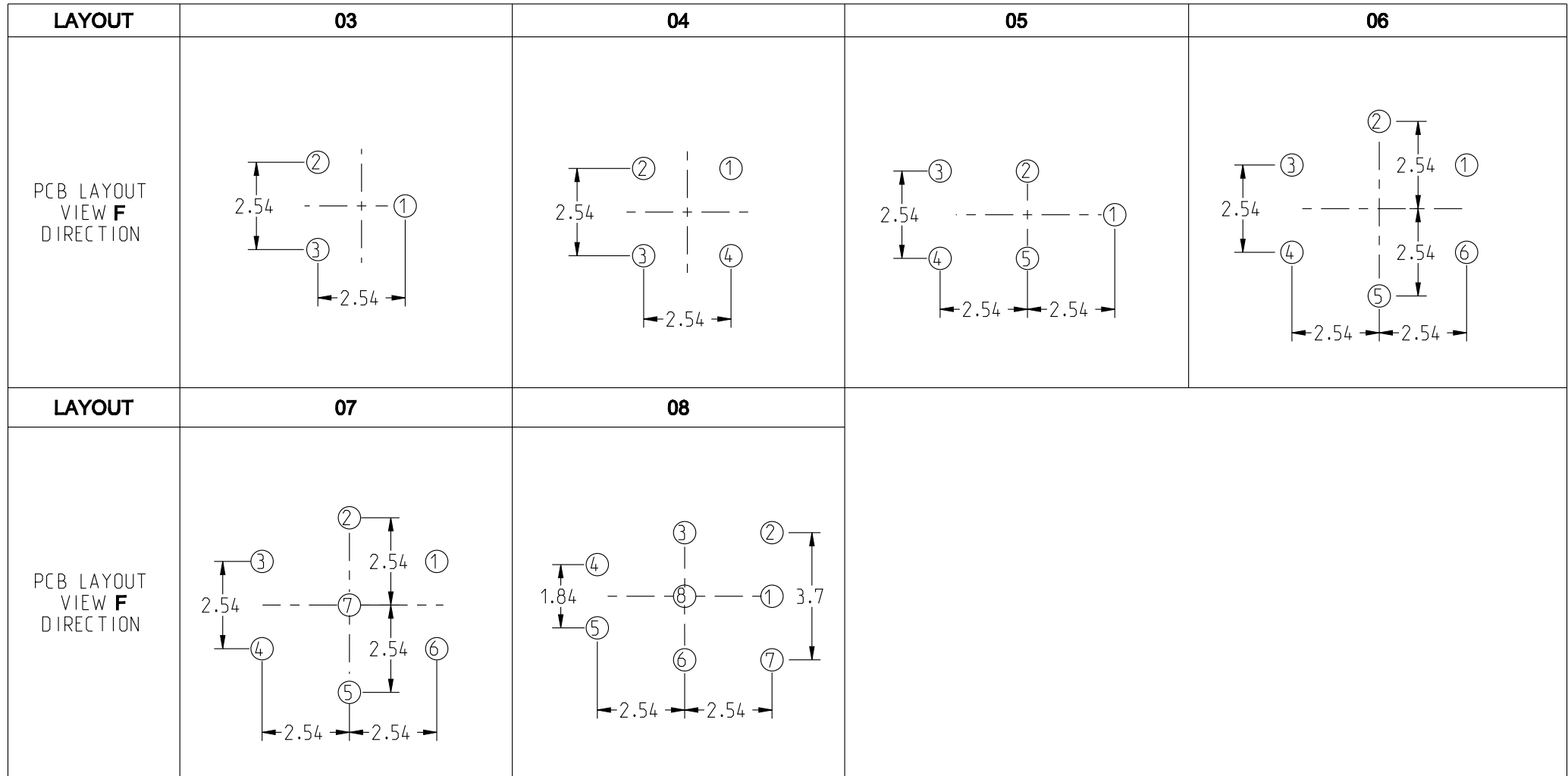
DWG. NO.  
JBX11NSFQC

**FEMALE INSULATOR, 90° PCB CONTACT**



SAMPLE ASSEMBLY FOR INFORMATION

| LAYOUT | 03   | 04   | 05   | 06   | 07   | 08   |
|--------|------|------|------|------|------|------|
| A      | 25.0 | 25.0 | 27.6 | 27.6 | 27.6 | 27.6 |
| B      | 31.5 | 31.8 | 32.1 | 32.4 | 32.4 | 32.5 |



1. ALL DIMENSIONS ARE  $\pm 0.05$
2. RECOMMENDED FINISHED PCB HOLE SIZE  $\varnothing 0.83$  MIN.

THIS DRAWING IS A CONTROLLED DOCUMENT FOR SOURIAU USA, INC. IT IS SUBJECT TO CHANGE WITHOUT NOTIFICATION. CONTACT THE DOCUMENT CONTROL CENTER FOR THE LATEST REVISION.

THE INFORMATION CONTAINED IN THIS DRAWING IS CONFIDENTIAL AND MAY NOT BE DISCLOSED WITHOUT WRITTEN CONSENT FROM SOURIAU USA, INC.

B

A

| ORIGIN | COUNTRY | JURISDICTION | CLASSIFICATION |
|--------|---------|--------------|----------------|
| X      | FR      | Not listed   | N/A            |
|        | US      | EAR          | ECCN =EAR99    |

These commodities, technology or software are exported from the United States in accordance with the Export Administration Regulations. Diversion contrary to U.S. law is prohibited.

|                                       |                       |                   |             |
|---------------------------------------|-----------------------|-------------------|-------------|
| LINEAR MEASURE:                       |                       | $\frac{mm}{INCH}$ | $mm (INCH)$ |
| THIRD ANGLE PROJECTION                |                       |                   |             |
|                                       |                       |                   |             |
| TOLERANCES UNLESS OTHERWISE SPECIFIED |                       |                   |             |
| No. OF PLACES                         | mm [INCH]             |                   |             |
| ONE PLACE                             | $\pm 3 [\pm .1]$      |                   |             |
| TWO PLACES                            | $\pm 0.5 [\pm .02]$   |                   |             |
| THREE PLACES                          | $\pm 0.25 [\pm .010]$ |                   |             |
| ANGLES $\pm 1^\circ$                  |                       |                   |             |

|   |            |                        |  |
|---|------------|------------------------|--|
| DRAWING TITLE   |            |                        |  |
| <b>JBX, SIZE 1, FEMALE INSULATOR, 90° PCB CONTACT</b>         |            |                        |  |
| CAT NO. <b>JBX11NSFQ</b>                                      |            |                        |  |
| CAGE NO: 09922  |            | SIZE: B                |  |
| <b>CUSTOMER</b>   |            | <b>SOURIAU</b>         |  |
| INTERPRET THIS DRAWING IN ACCORDANCE WITH ASME Y14.5M - 1994. |            | <b>WWW.SOURIAU.COM</b> |  |
| APPROVAL  | DRAWN: TJS | 02-02-15               |  |
|   | CHKD : EV  | 02-02-15               |  |
|   | DSGN : EV  | 02-02-15               |  |
|   | MFG : DH   | 02-02-15               |  |
| QC : BB   | 02-02-15   |                        |  |
| DRAWING SCALE: NA   |            |                        |  |
| DRAWING NO. JBX11NSFQC  |            | REV B                  |  |
| 3 OF 3  |            |                        |  |

# Mouser Electronics

Authorized Distributor

Click to View Pricing, Inventory, Delivery & Lifecycle Information:

Souriau:

[JBXEA1G04FQSDS](#) [JBXEA1G05FQSDS](#) [JBXEA1G06FQSDS](#) [JBXEA1G07FQSDS](#) [JBXEA1G08FQSDS](#)  
[JBXEA1G03FQSDS](#)