

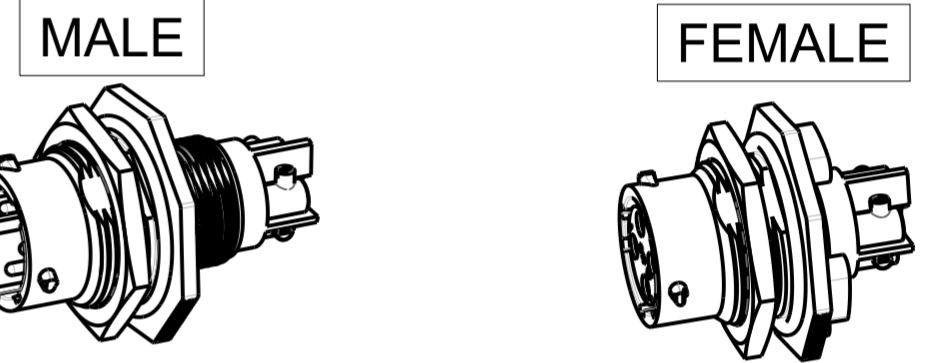
MATERIAL :
 Inset: Polyamid UL94 V0
 Shell : Polyamid UL94 V-0
 Seal gasket : Sealing IP68/69K : Silicone
 O'ring : Nitril

PERFORMANCE CHARACTERISTICS :

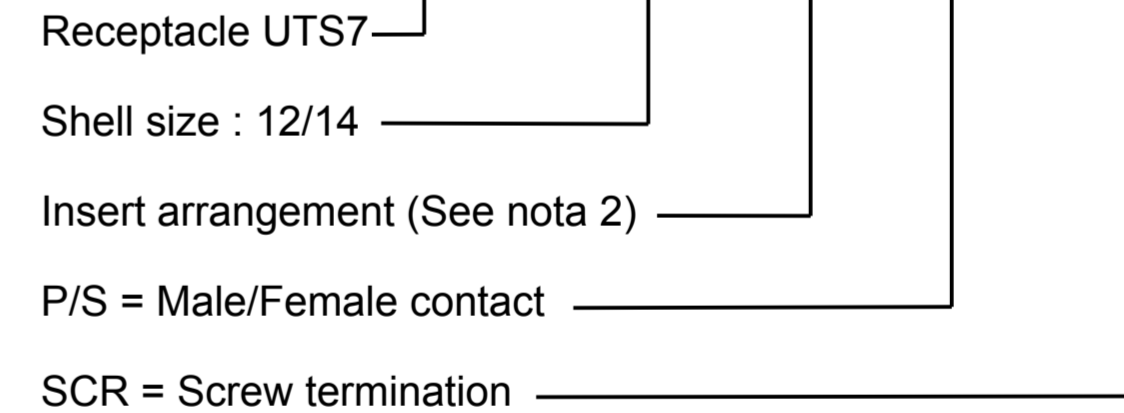
Operating temperature: -40°C up to 105°C
 Insulation resistance: 5000 MΩ min
 Contact resistance: < 3 mΩ
 Test potential: 2000 Vrms for #16 layout
 Corrosion salt spray: 500 hours
 Durability: 250 matings and unmatings
 Sealing in mated conditions:
 -IP68 1 bar during 1 week : immersion under 10 m of water. (IEC 60529)
 -IP69K : exposure to high pressure water of cleaning equipment (DIN 40050)

NOTES :

- 1- Colored ring to be ordered separately refer to customer drawing C005-UTS1-A
- 2- Insert arrangements : refer to : -C007-UTS1-A (Male insulator)
 -C008-UTS1-A (Female insulator)
- 3- The female receptacle is a short version (rear thread missing)

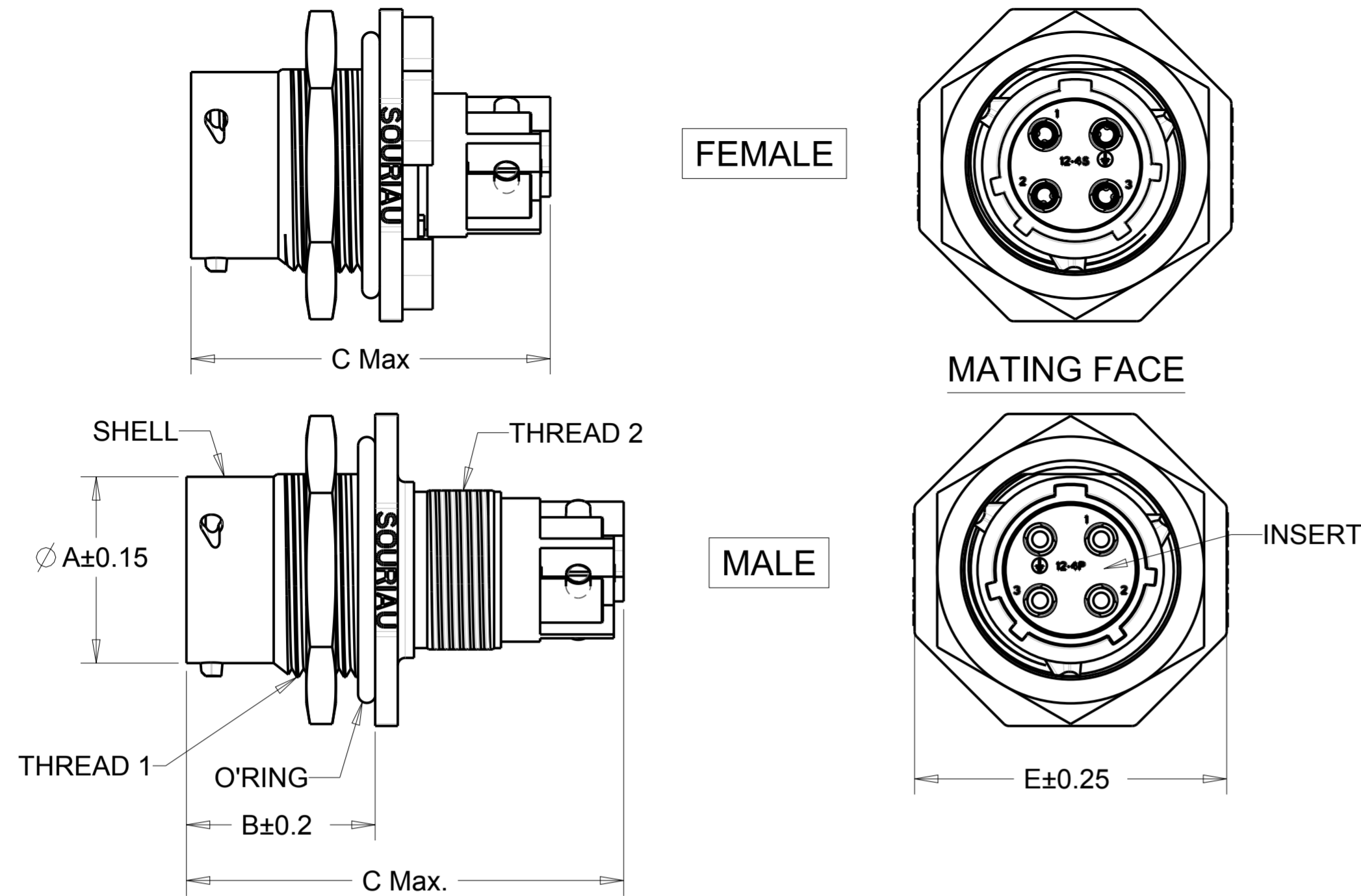


MALE **FEMALE**

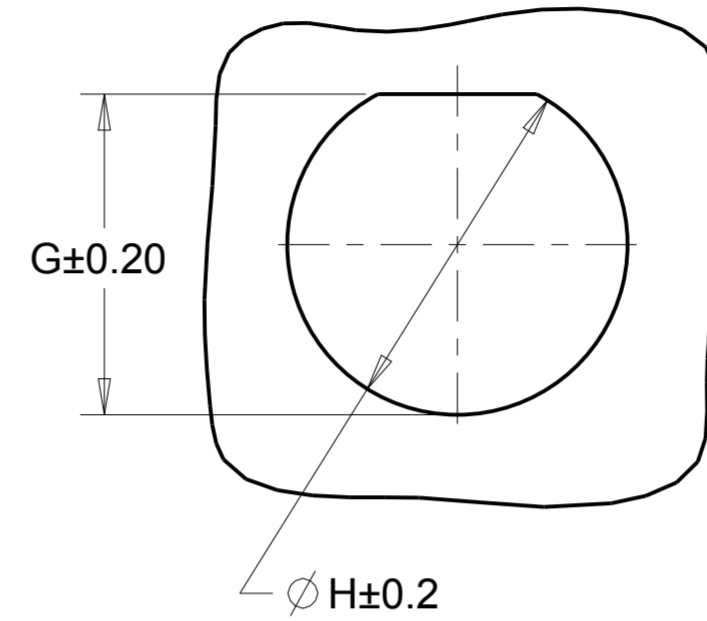


CUSTOMER DRAWING

f	16/12/10	Addition of the views of the connector female	
ISS	DATE	Latest modification - by:	SINEAU.G
DESIGNED BY:	V.CHANTEAU	DATE:	26/02/07
TITLE	CUSTOMER DRAWING		
JAM NUT RECEPTACLE UTS CONNECTOR			
Scale	2.000	General linear Tolerances: ±0.2	NPRDS / PROJECT UTS1
		WWW.SOURIAU.COM	
FORMAT	A2	SOURIAU DRG N° C015-UTS1-A	SHEET

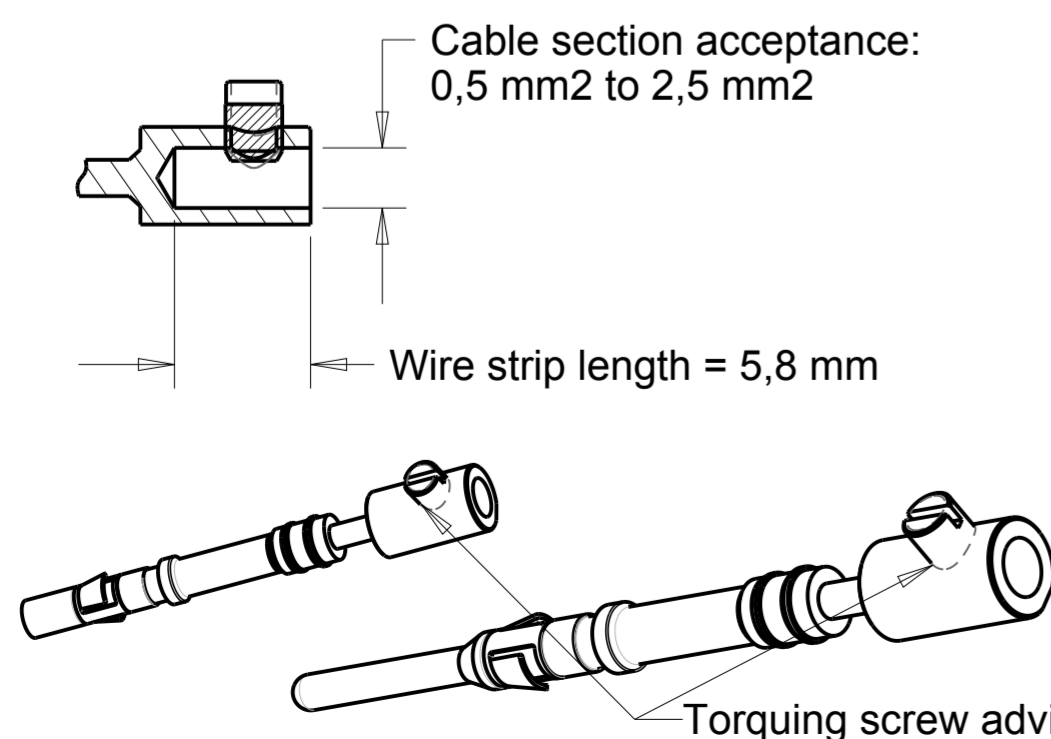


PANEL CUT OUT

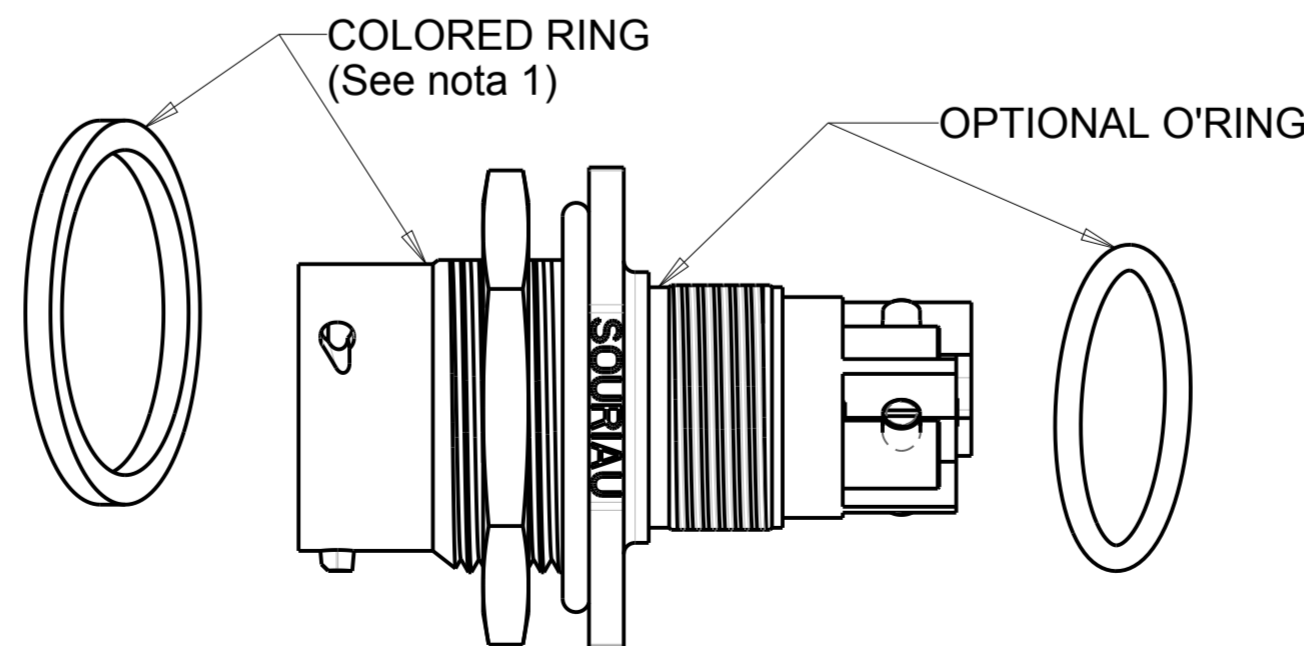


SHELL SIZE	LAYOUT	THREAD 1	THREAD 2	Ø A±0.15	B±0.2	C MAX. male version	C MAX. female version (see nota 3)	D MAX.	E±0.25	F±0.3	G±0.20	Ø H±0.2
12	4	7/8 20 UNEF CLASS 2A	11/16 24 UNEF CLASS 2A	19.00	19.30	46.5	38.3	3.20	31.80	27.00	21.20	22.50
14	7	1"20 UNEF CLASS 2A	13/16 20 UNEF CLASS 2A	22.20	19.30	52.50	44.4	3.20	34.90	30.20	24.30	25.70

DETAIL SCREW CONTACT



OPTIONAL PART



Mouser Electronics

Authorized Distributor

Click to View Pricing, Inventory, Delivery & Lifecycle Information:

[Souriau:](#)

[UTS7124PSCR](#) [UTS7124SSCR](#) [UTS7147PSCR](#) [UTS7147SSCR](#)