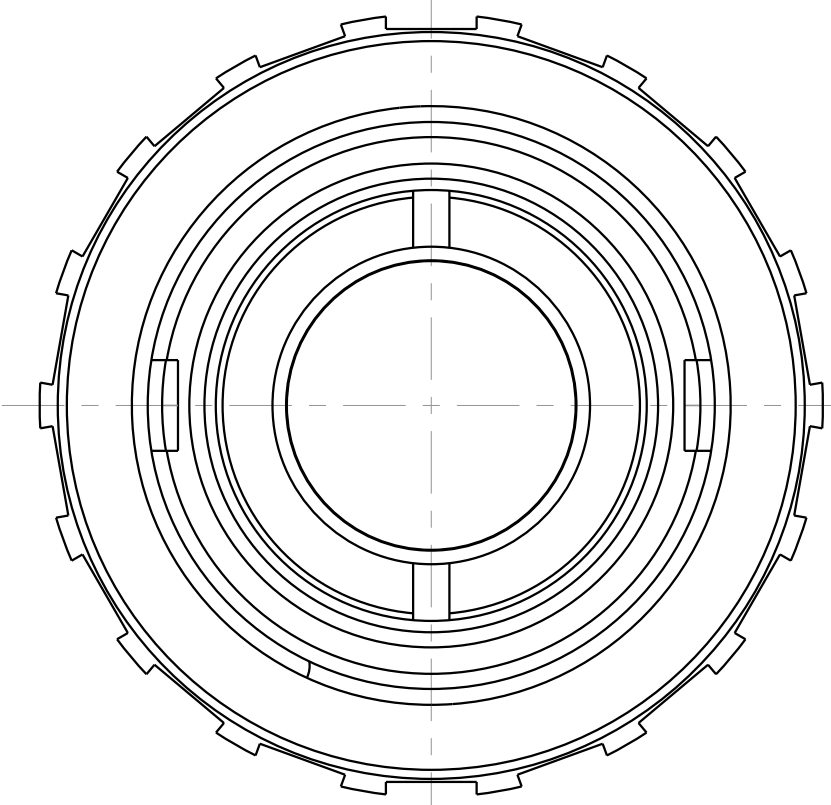
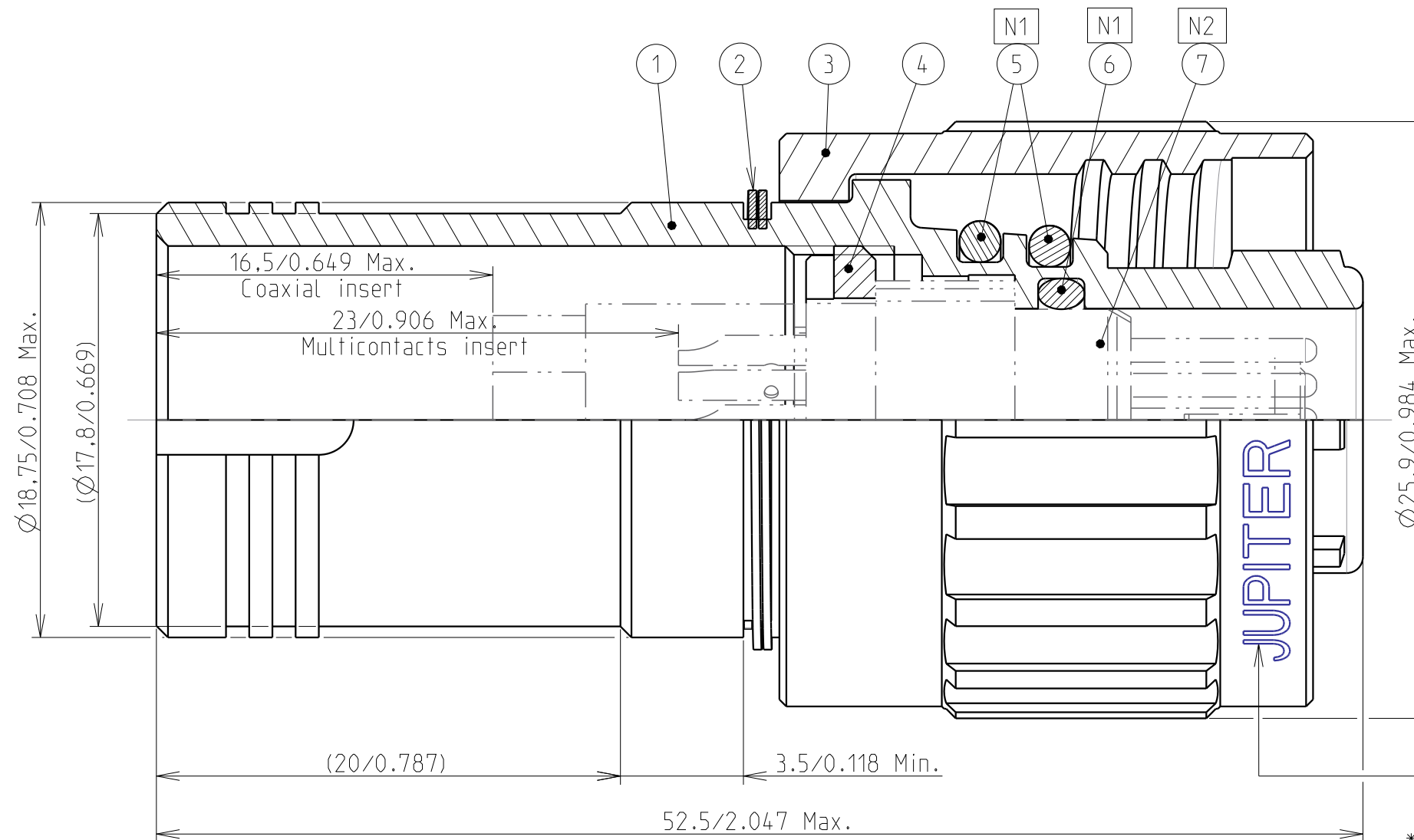
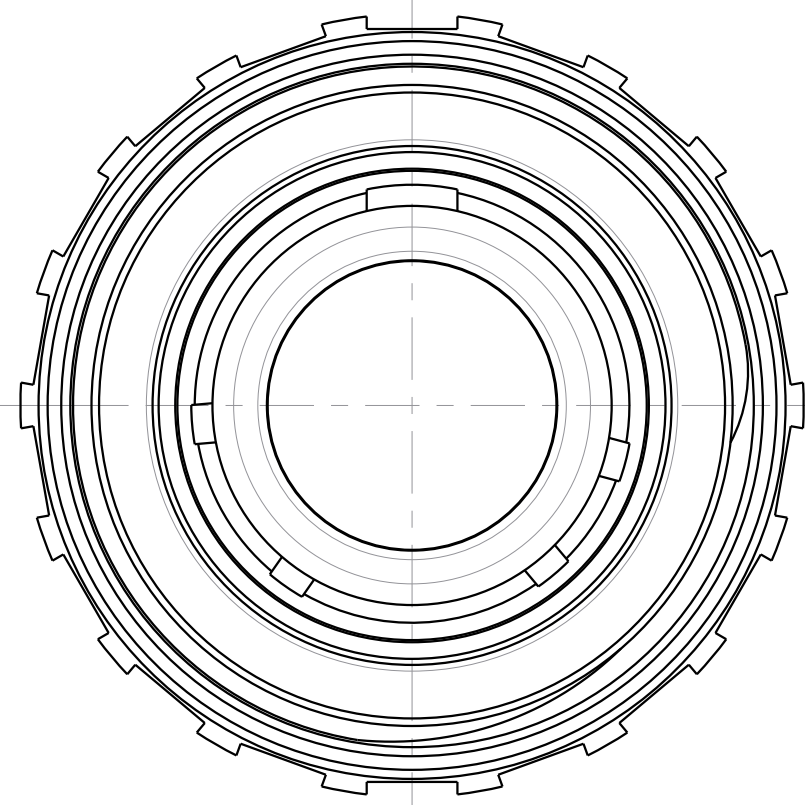


Country	Jurisdiction & Control List
FR	NOT LISTED

	critical dimension
	major dimension



MARQUAGE/MARKING

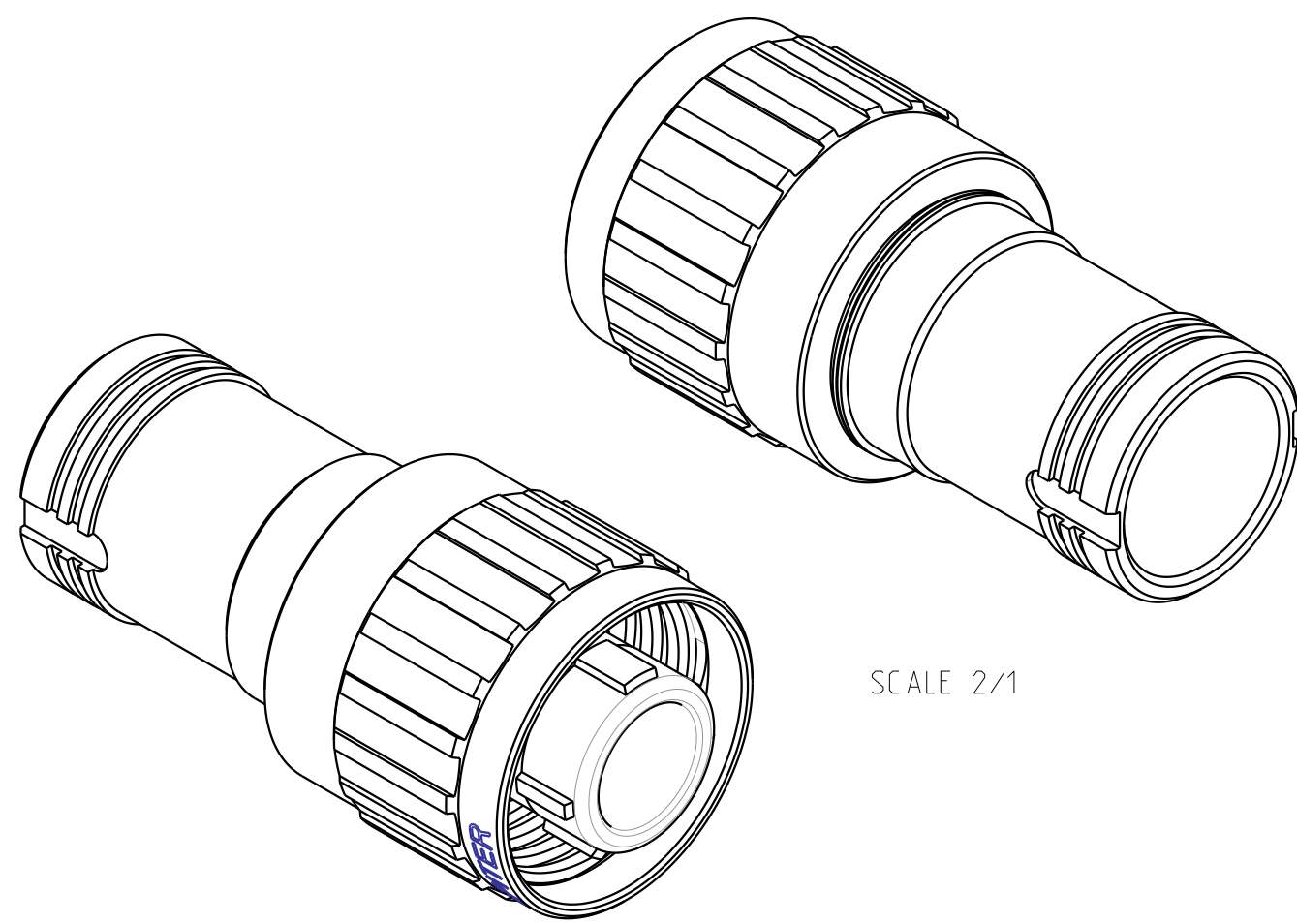
**** JUPITER FR FED10PLY
 SEMAINE/WEEK
 ANNEE/YEAR

**REFERENCE COMMERCIALE
 PART NUMBER**

CFE10PLY

- N1** : MONTAGE AVEC GRAISSE
 MOUNTING WITH GREASE
- N2** : ISOLANT HORS FOURNITURE
 INSERT NOT SUPPLIED

7	ISOLANT / INSERT
6	JOINT TORIQUE ISOLANT / O'RING INSERT
5	JOINT TORIQUE ACCOUPLEMENT / O'RING COUPLING
4	BAGUE DE RETENUE / RETAINING RING
3	DOUILLE D'ACCOUPLEMENT / COUPLING RING
2	CIRCLIPS / RETAINING CLIP
1	FICHE DROITE FED / STRAIGHT PLUG FED
REP	DESIGNATION



SCALE 2/1

A	05/09/16	Initial drawing	ORAIN	MEFFRE	DIFF
Iss	Date	MODIFICATIONS	Designed by	Checked by	MOD N°
MATERIAL --		TREATMENT	PROTECTION/PLATING		
--		--	--		
--		--	CODE --		
DIMENSIONS ARE DEFINED BEFORE PLATING					
TITLE	FICHE DROITE FED SA / STRAIGHT PLUG FED SA TYPE				PROJECT
	SERIE PL - TAILLE 10				PL54
Material Reference Voir Référence Commerciale / See Part Number					
Generales tolerances ISO 2768		 3. RUE DU VALLON ZAC N°2 94440 MAROLLES-EN-BRIE (FRANCE) TEL. 33 (0)1 45 10 78 00			
Scale 4/1	General machining Surface texture				
Geometrical Tolerances: NF EN ISO 1101		FORMAT	SOURIAU DRG N°	Iss	SHEET
This document is the property of SOURIAU it must not be reproduced or communicated without permission.		A2	542F0130A8C	A	1/1

Mouser Electronics

Authorized Distributor

Click to View Pricing, Inventory, Delivery & Lifecycle Information:

[Souriau:](#)

[CFE10PLSAY](#)