

# JBL745-2 Series

Universal Input, 26–32 Watt Output

Sealed Lead Acid Fast Chargers



2 Year Warranty

- 100-240VAC Universal Input
- Optimizes Battery Life
- 6V to 24V Output Models, up to 32W
- Tri-color LED Indicator
- Modified and Custom Designs Available
- Impact-Resistant Polycarbonate Enclosure
- Meets safety agency requirements



International Safety Standard Approvals



## Specifications

All Specifications are typical at nominal input, full load at 25°C unless otherwise stated.

<b>AC Input</b> 100-240VAC, +/-10%, 47-63 Hz, 1Ø.	<b>Topology</b> Switching – Battery Charger
<b>Input Current</b> 1.0A maximum, at 110Vac	<b>Overload Protection</b> Hiccup Mode
<b>Inrush Current</b> Inrush limiting provided.	<b>Short Circuit Protection</b> Hiccup Mode
<b>Input Fuse</b> Internal Primary Current Fuse is provided.	<b>Approvals and Safety Standards</b> EN/IEC/CSA/UL60950-1, EMC: EN55022/55024/61000
<b>Output Voltage</b> See chart.	<b>Dielectric Withstand</b> Input-Output: 4242VDC, Input-GND: 1500VAC, Output-GND: 500VDC
<b>Output Power</b> See chart	<b>Operating Temperature</b> 0° to 40°C, no derating
<b>Minimum Load</b> Not required.	<b>Storage Temperature</b> -30 to +85°C.
<b>Battery Type:</b> Lead Acid 6V/12V/24V	<b>Relative Humidity</b> 5% to 95%, non-condensing
<b>Charging Method:</b> Constant current and constant voltage.	<b>Altitude</b> 0 to 10,000 ft.
<b>Threshold Voltage:</b> <1.75V ±0.03V / cell	<b>MTBF</b> >61,000 hours (calculated)
<b>Cycle Charge Voltage:</b> 2.45V +/-0.2V / cell (measured at PCB output)	<b>Case Dimensions:</b> 5.9"(L) x 2.56"(W) x 1.38(H)", 149mm(L) x 64mm(W) x 45mm(H)
<b>Float Charge Voltage:</b> 2.30V +/-0.2V / cell (measured at PCB output)	<b>Case Material:</b> Black 94V0 Polycarbonate
<b>Overvoltage Protection:</b> > 2.5V ± 0.16V / cell	<b>Output Connections:</b> Cable: 18AWG, 2 conductor. Connector: 2.5mm barrel type (Ault #3) connector, center contact (+). Other connector options are available.
<b>LED Indicators:</b> LED Off: R/G/A 1 second on/off: Red LED On: Green LED On: Amber LED On: Flickering Red LED:	Battery Unloaded, output shorted. Application of Power, or Power reset. Fast Charge Fully Charged or Trickle Charge Float Charge Error (Output overvoltage (>2.5V /cell), or undervoltage (<1.75V /cell) LED error blink rate is 500 mSec on, 500 mSec off.

# JBL745-2

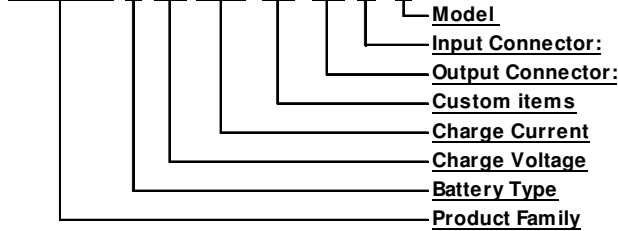
Universal Input, 26-32 Watt Series

Sealed Lead Acid Fast Chargers

2 Year Warranty

## Model Number Key

JBL745 2 06 500 00 03 F J



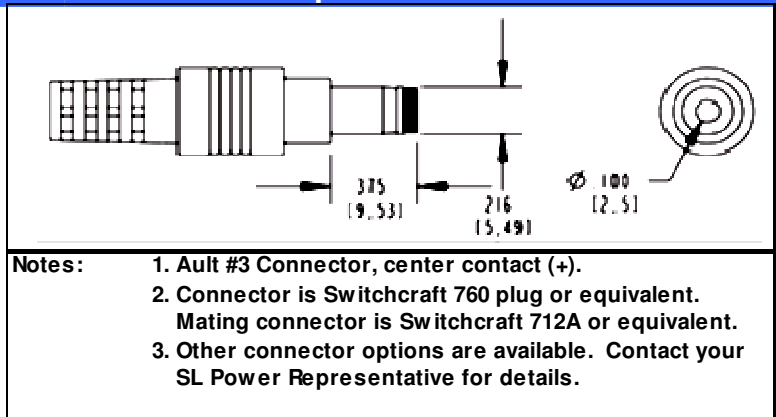
"J" = Standard. "02" and higher indicates a modified model.  
 "F" = IEC320 C14 grounded  
 "03" = 2.5mm Barrel Type connector, center (+). Other options available.  
 "00" = Standard Model  
 "500" = 5.00A  
 "06" = 6V, etc.  
 "2" = Lead-Acid

Model Number	Battery Volts (V)	Fast Charge Current (A)	Switchover Current (A)	Fast Charge Voltage (V)	Float Charge Voltage (V)	Max Watts
JBL7452065000003FJ	6 V	5.00 A	0.500 A	7.35 V	6.90 V	26.0 W
JBL7452122500003FJ	12 V	2.50 A	0.250 A	14.7 V	13.8 V	29.0 W
JBL7452241500003FJ	24 V	1.50 A	0.150 A	29.4 V	27.6 V	32.0 W

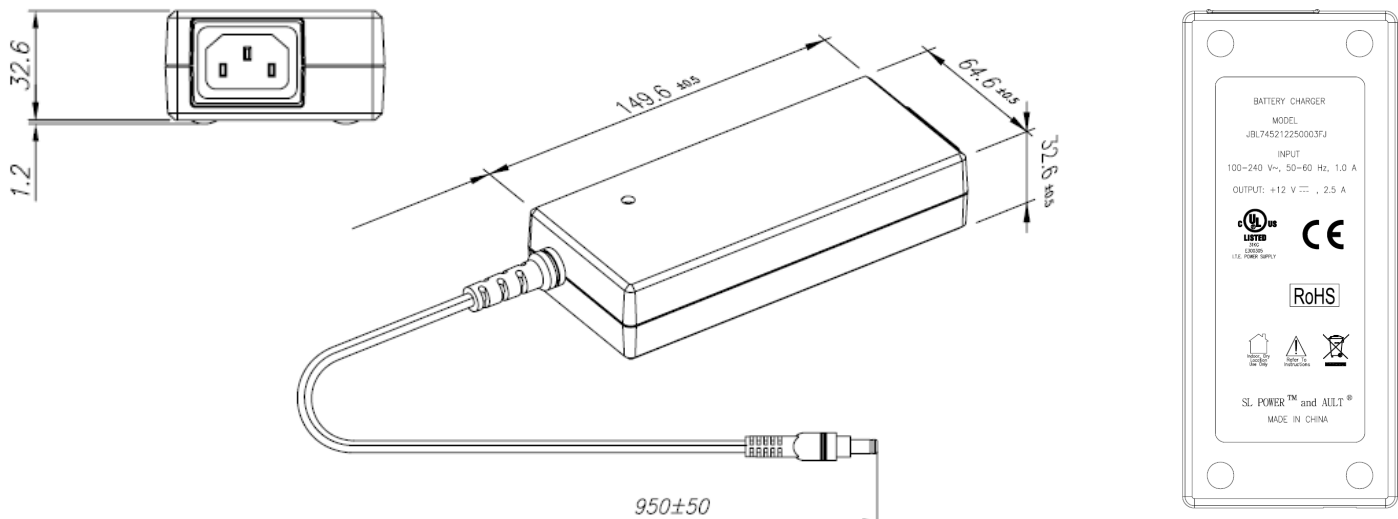
## Input Receptacle



## Output Connector



## Outline Drawing



Data Sheet © 2011 SL Power Electronics Corp. The information and specifications contained herein are believed to be correct at the time of publication. Rev. 9-16-2011  
 However, SL Power accepts no responsibility for consequences arising from reproduction errors or inaccuracies. Specifications are subject to change without notice.

# Mouser Electronics

Authorized Distributor

Click to View Pricing, Inventory, Delivery & Lifecycle Information:

[SL Power:](#)

[JBL7452122500003FJ](#) [JBL7452241250003FJ](#)