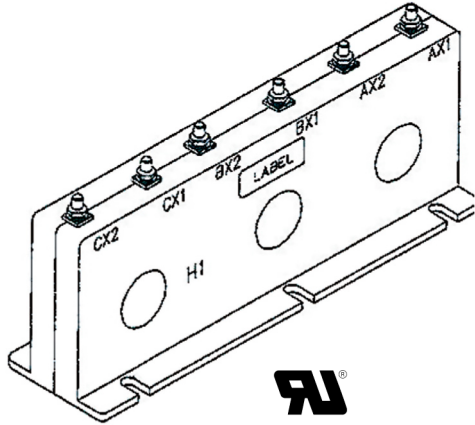


Three-Phase Current Transformers

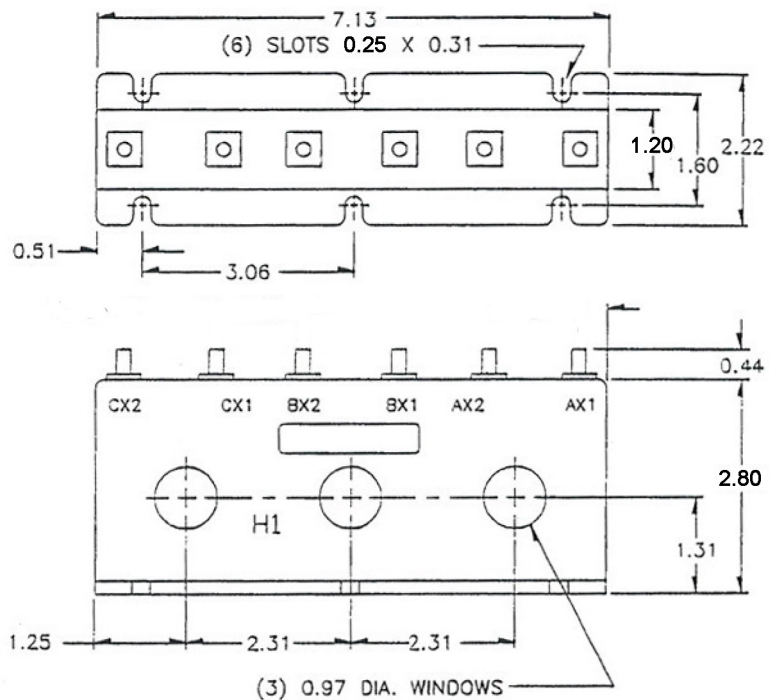


- Use with GIMA Series Meters
- Reduce high AC current signals

Dimensions	
Frequency:	50-400 Hz
Insulation Level:	0.6kV
Weight	Approximately 1.75 lbs.
Width:	7.13"
Height:	3.22"
Length:	2.22"

Ordering Information

Catalog Number	Current Ratio	Accuracy @ 60 Hz	Burden VA 60 Hz
37026	50:5	± 3%	2.0
37027	100:5	± 2%	2.0
37028	150:5	± 1%	4.0
37029	200:5	± 1%	5.0
37030	300:5	± 1%	10.0



Hardware Required:

- (6) 1/4" Washers
- (6) 1/4" Bolts and Nuts

Hardware not furnished with the Current Transformer

Mouser Electronics

Authorized Distributor

Click to View Pricing, Inventory, Delivery & Lifecycle Information:

Simpson:

[37026](#) [37027](#) [37030](#) [37029](#) [37028](#)