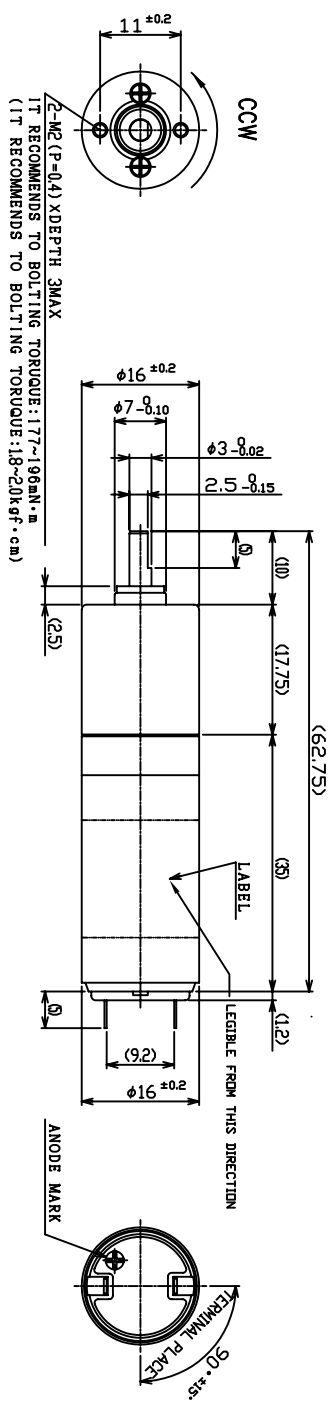


TEST REQUIREMENTS	
Motor Voltage	24 VDC
No Load Speed	80 RPM ±10%
No Load Current	20 mA max
Rated Load	8.34 oz-in
Rated Speed	75 RPM min
Rated Current	60 mA max
Dir. Rot. +to Anode	CCW



CUSTOMER SIGN-OFF:
 NAME: _____
 DATE: _____

CONFIDENTIAL AND PROPRIETARY INFORMATION (DATE CODE-YYMMDD)

AUTOTROL CORPORATION

LABEL INFORMATION
 AUTOTROL CORP.
 216-0102A
 MUSER ELECTRONICS
 708-2160102A
 24VDC 80 RPM CCW
 YYMMDD

DRAWN BY:	AEV	SCALE:	X/X	APPROVED BY:	AEV
DATE:	05/04/07	CHECKED BY:	XXX	E.R.N. #	10927
TITLE: GEAR MOTOR					

REVISIONS	

CUSTOMER:	MUSER ELECTRONICS	708-2160102A
UNLESS OTHERWISE SPECIFIED	mm (IN)XX	±0.5 (±0.02)
	mm (IN)XXX	±0.25 (±0.01)
	mm (IN)XXXX	±0.1 (±0.005)
	mm (IN)XXXXX	±0.01 (±0.0005)
	ANGLE XX	±0.1 (±0.1°)
PART NUMBER:	216-0102A	

Mouser Electronics

Authorized Distributor

Click to View Pricing, Inventory, Delivery & Lifecycle Information:

[Autotrol:](#)

[216-0102A](#)