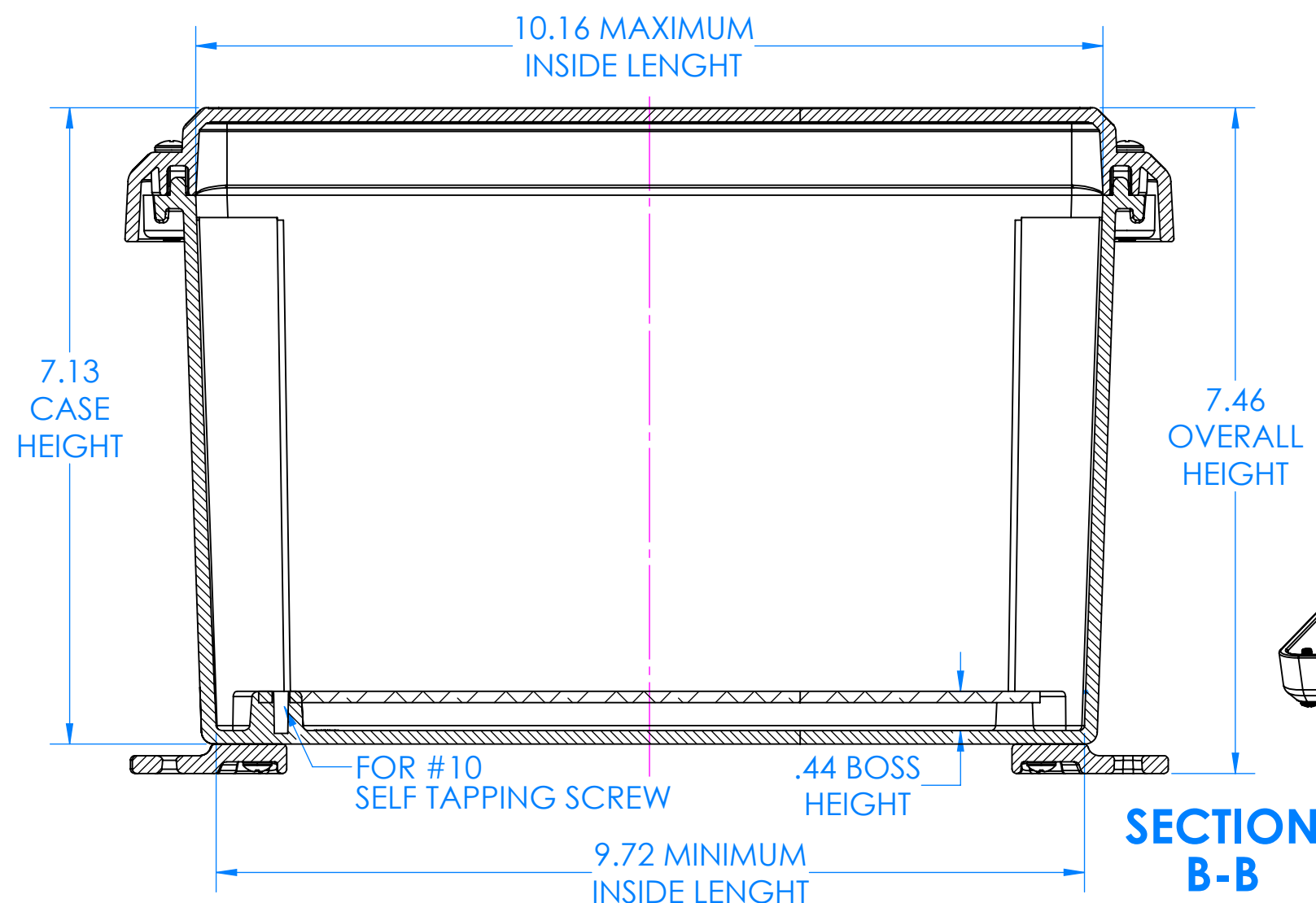
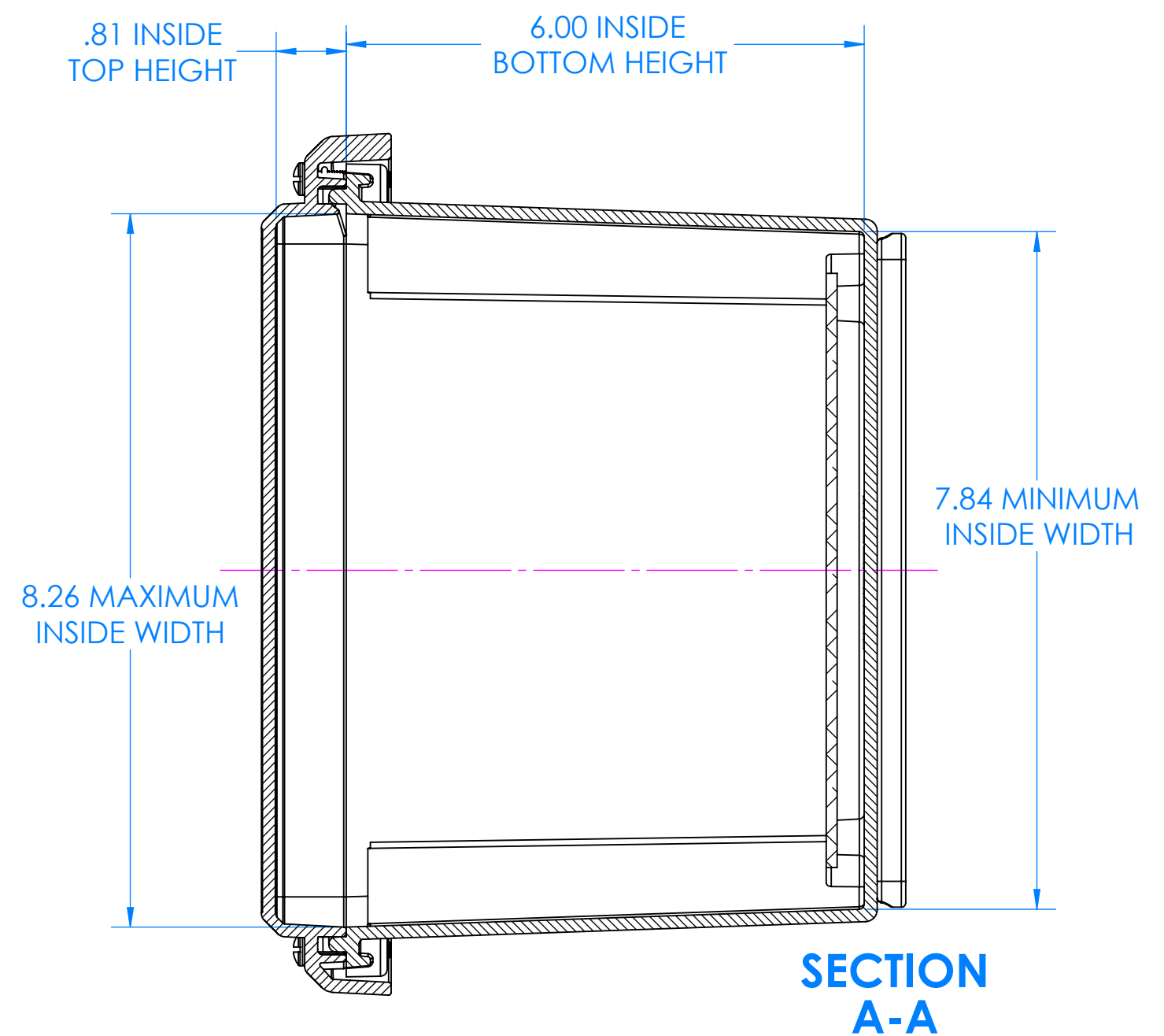
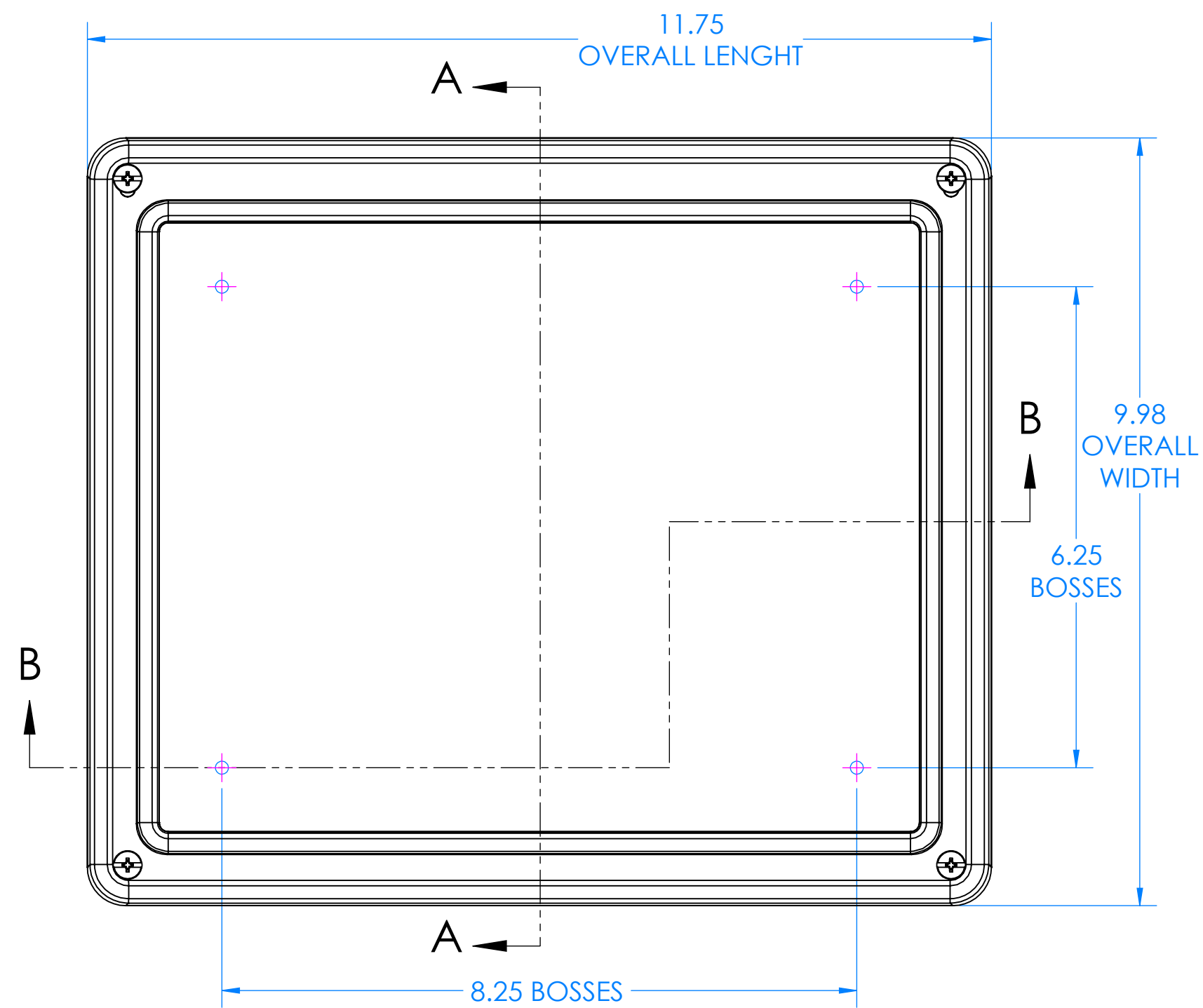
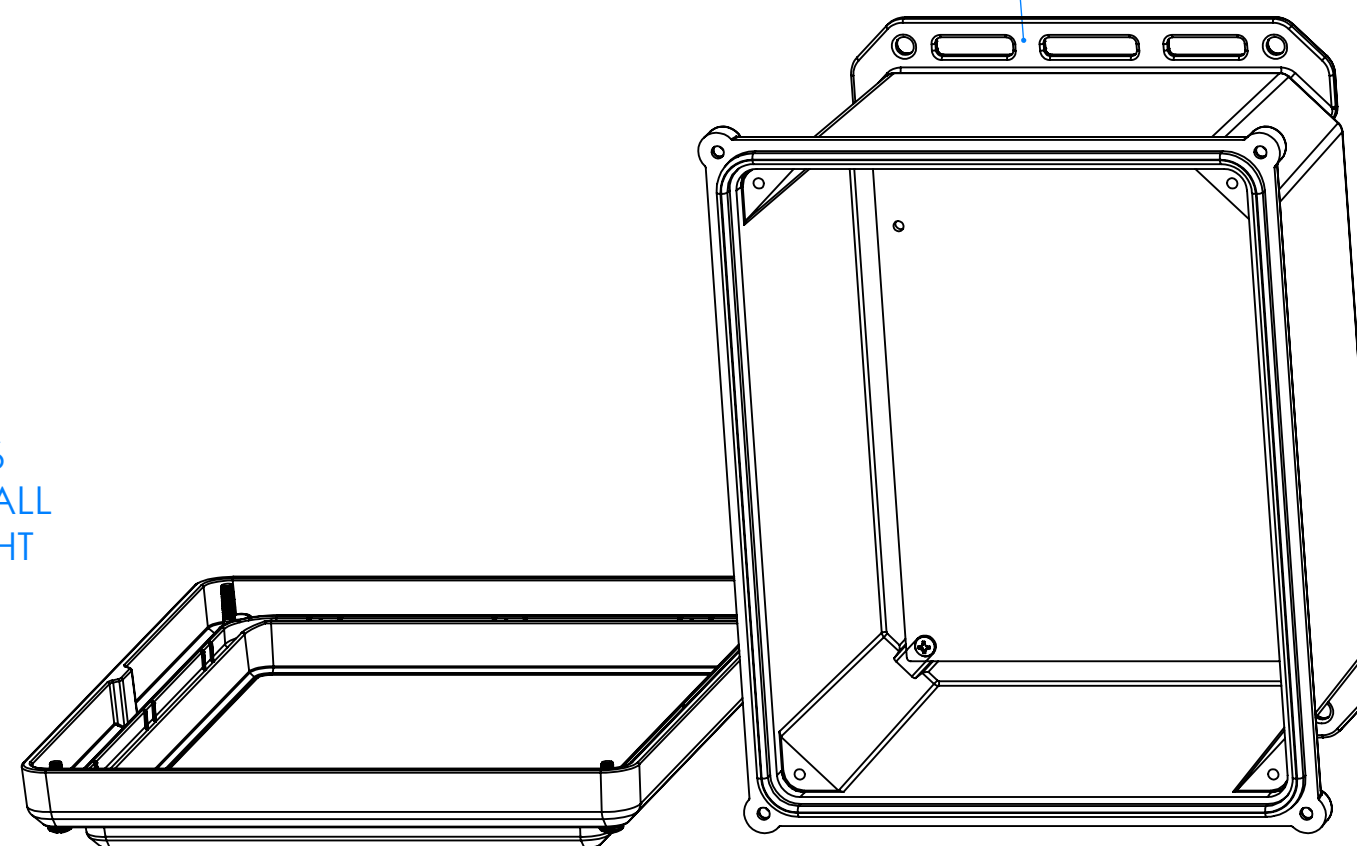


# SERPAC I352S

Electronic Enclosures



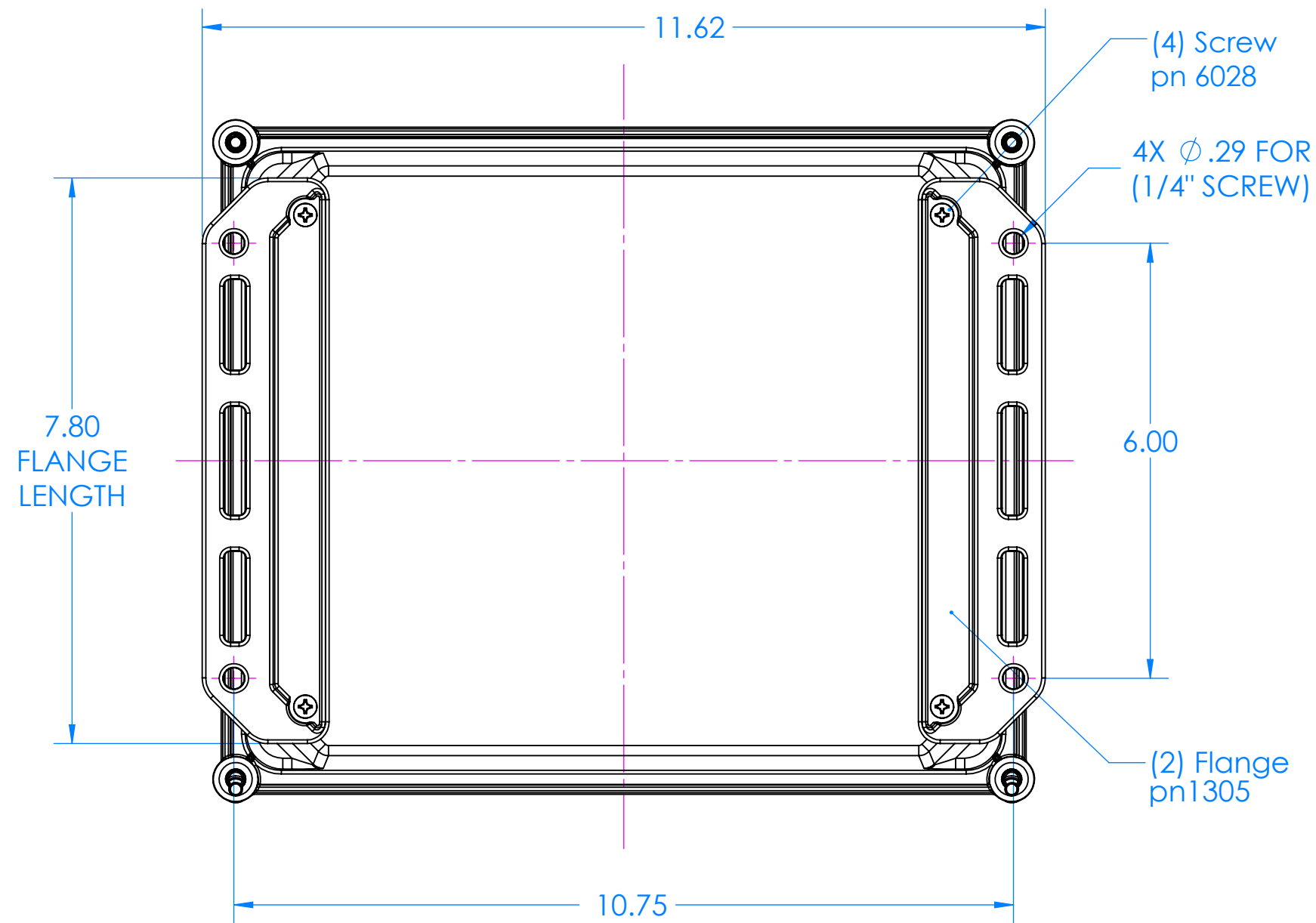
2 Mounting Brackets included, see sheet 2 for dimensions and for optional mounting Corner Feet and Brackets.



Aluminum and Plastic Panel Kits are available as options, see sheets 3-6. The aluminum panel options are:  
 Bottom Panel Kit p/n 7200B  
 Top Panel Kit p/n 7200T  
 Hinged Top Panel Kit p/n 7200TH  
 The plastic panel option is:  
 Hinged Panel Kit p/n 7200HP

- UL listed to UL 508A 4/4X standard (UL file E519183).
- Material: UV stabilized Polycarbonate Flammability V0, F1 rated material.
- Watertight enclosure meets or exceed Nema 4 and or IP67.

PARTS INCLUDED		
P/N	Qty.	Description
I352 ST	1	I352 Screw Top
I350 SB	1	I350 Screw Bottom
8350	1	350 Perimeter O-ring
6031	4	10-32 X 1" Screw
6104	4	10-32 Threaded insert
8001	4	SS #10 X 5/8" Pan H/L
1305	2	Mounting Bracket
6028	4	SS #10 X 5/8" Pan H/L



### INCLUDED STANDARD 1305 FLANGE KIT

Part included in Kit number 1305		
P/N	Qty.	Description
1305	2	Flange
6028	4	SS #10 X 5/8" Pan Combo H/L Screw

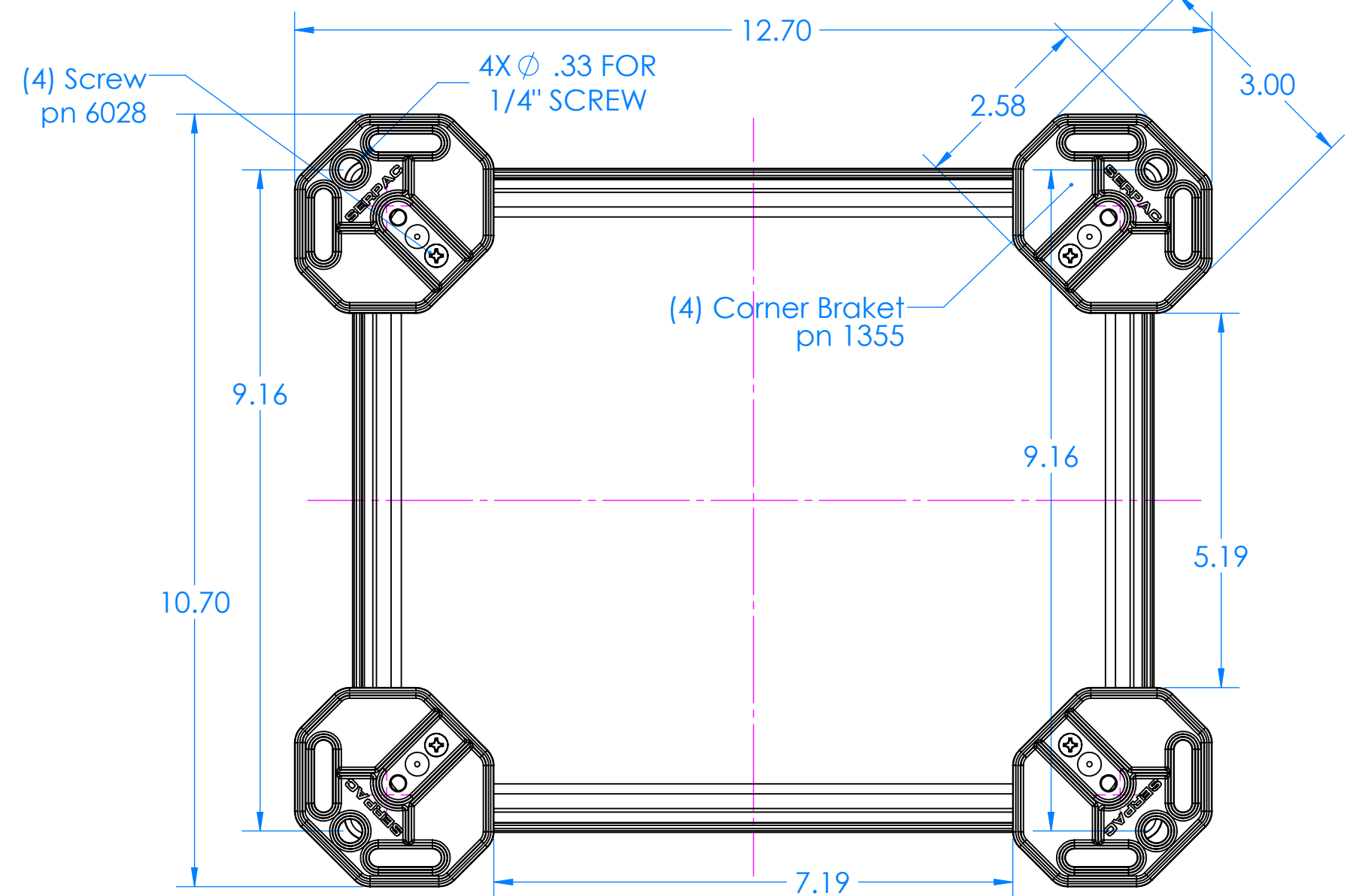
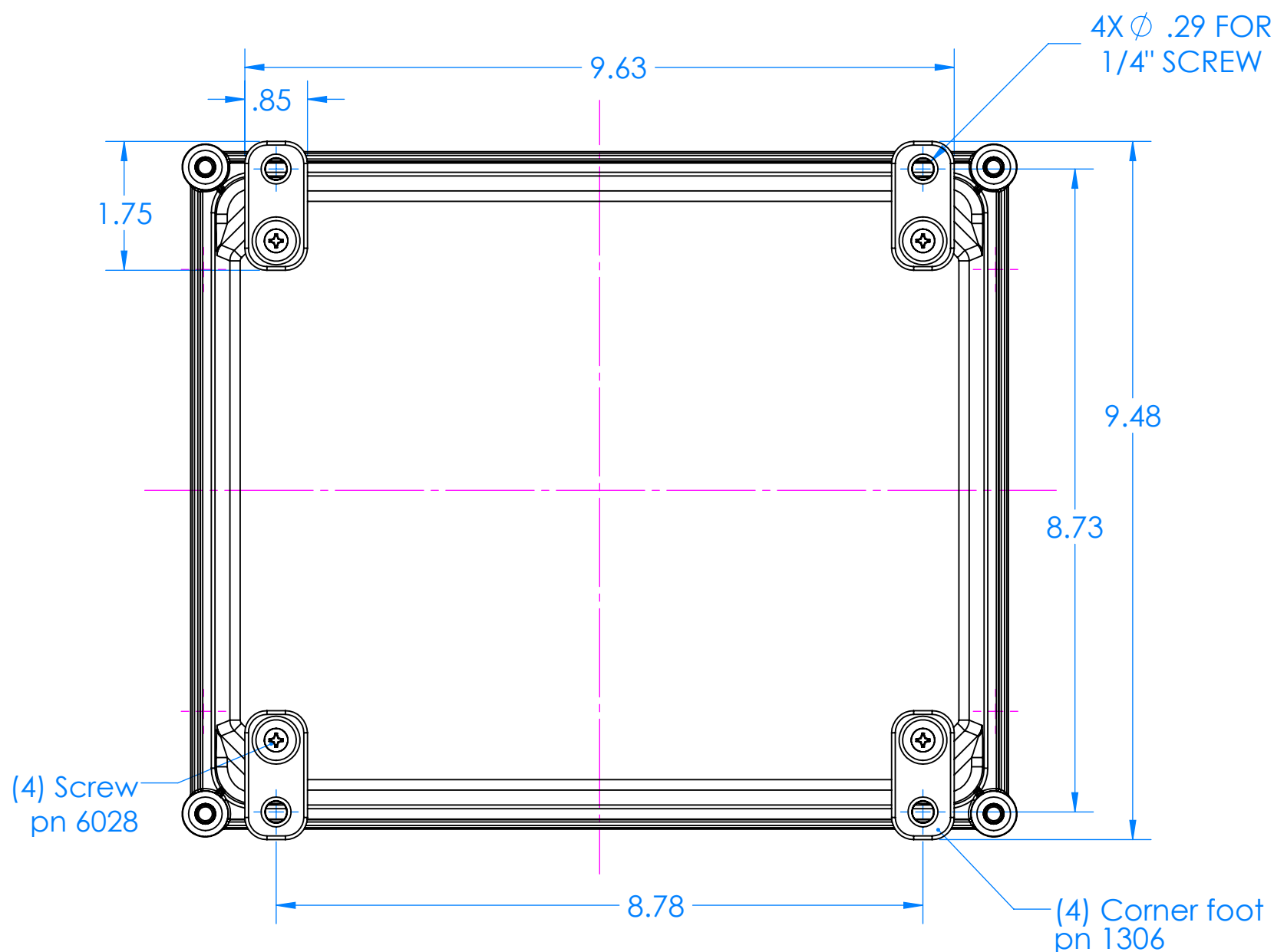
TOP & LATCHES REMOVED FOR CLARITY FROM ALL VIEWS

### OPTIONAL 1306 CORNER FEET KIT

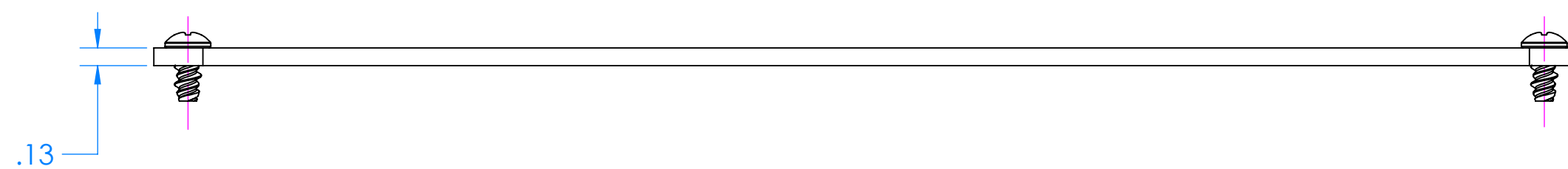
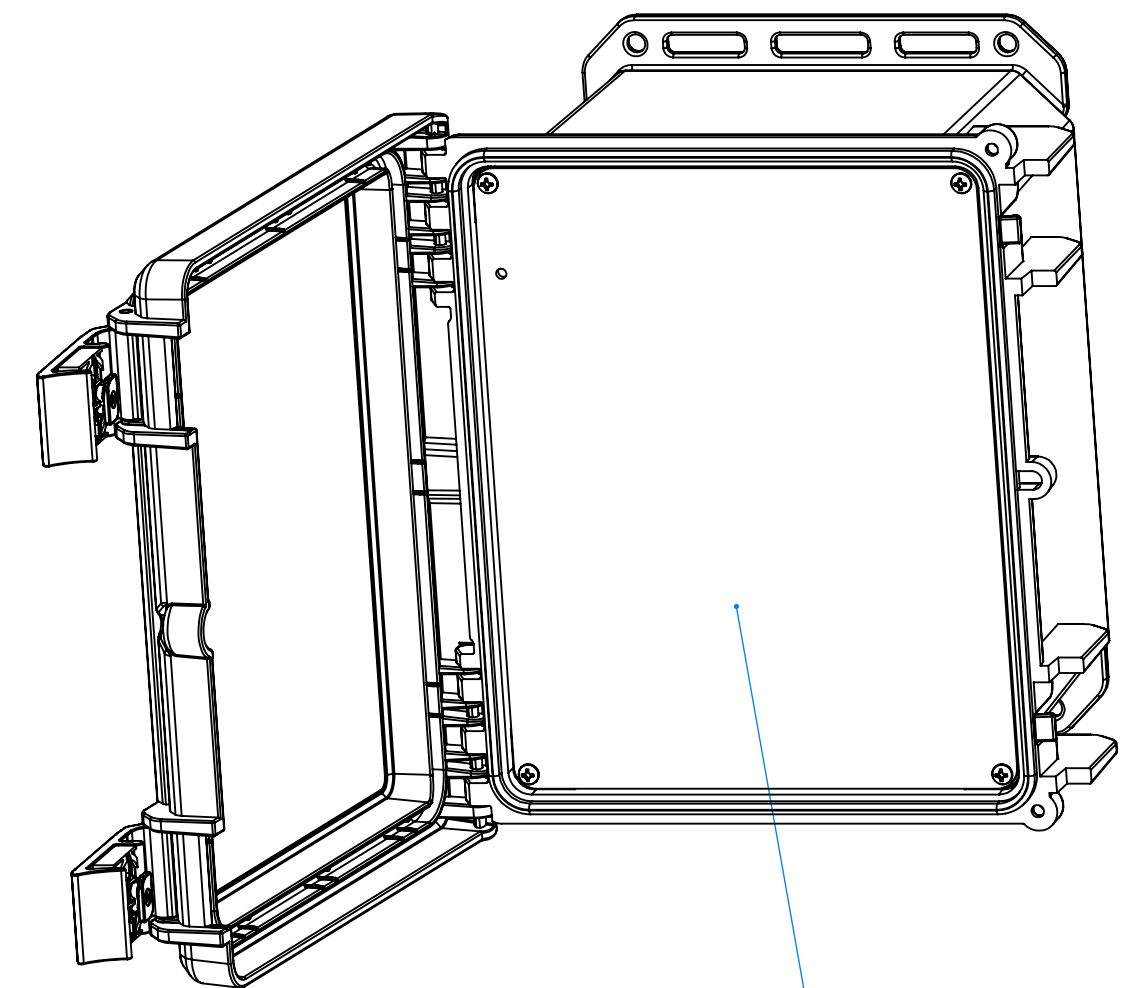
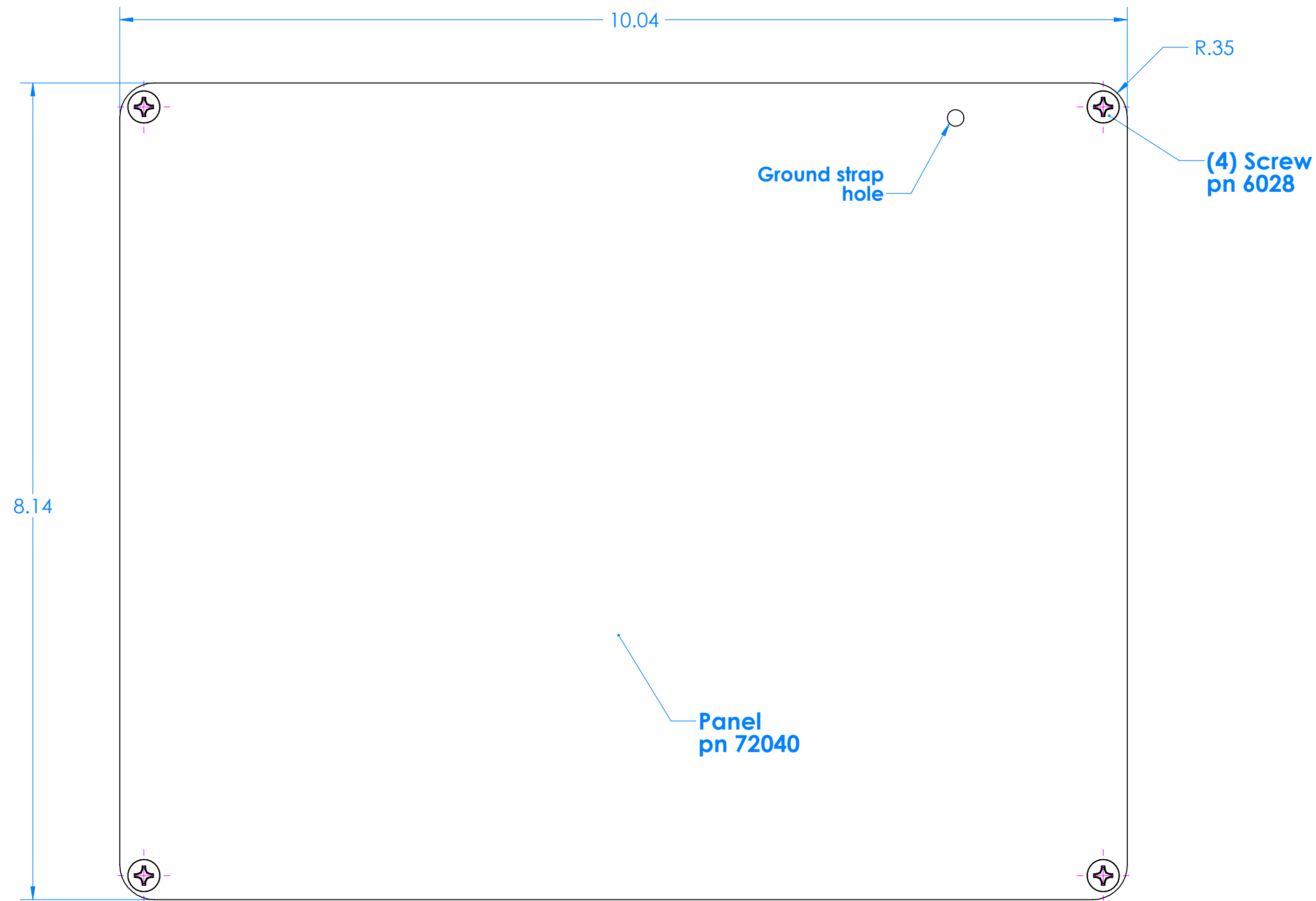
Part included in Kit number 1306		
P/N	Qty.	Description
1306	4	Mounting Corner Foot
6028	4	SS #10 X 5/8" Pan Combo H/L Screw

### OPTIONAL 1355 CORNER BRACKETS KIT

Part included in Kit number 1355		
P/N	Qty.	Description
1355	4	Mounting Corner Bracket
6028	4	SS #10 X 5/8" Pan Combo H/L Screw



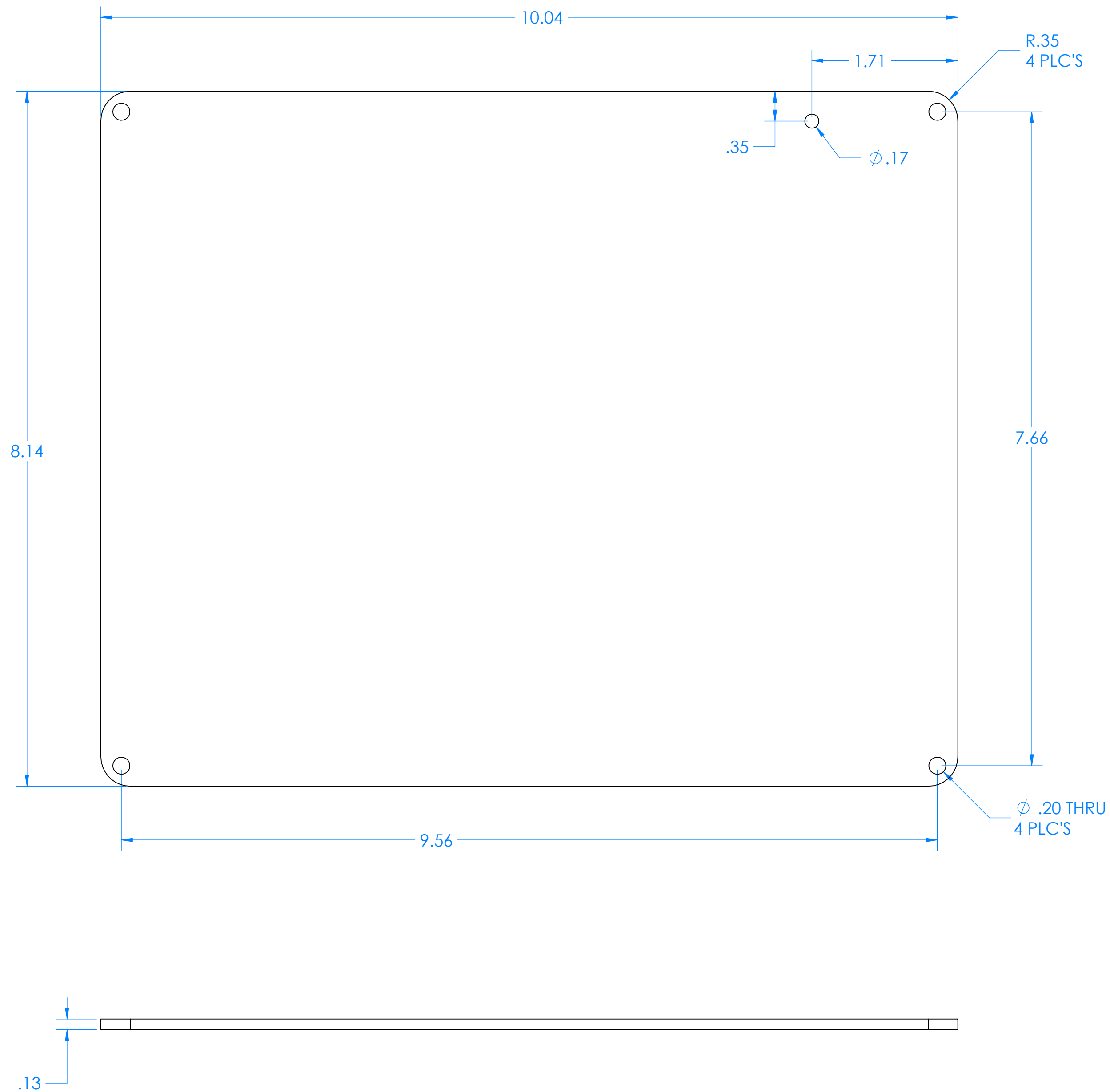
# 7200T Aluminum Top Panel Kit for 352HL, 342HL, 352HS, 342HS, 352S and 342S



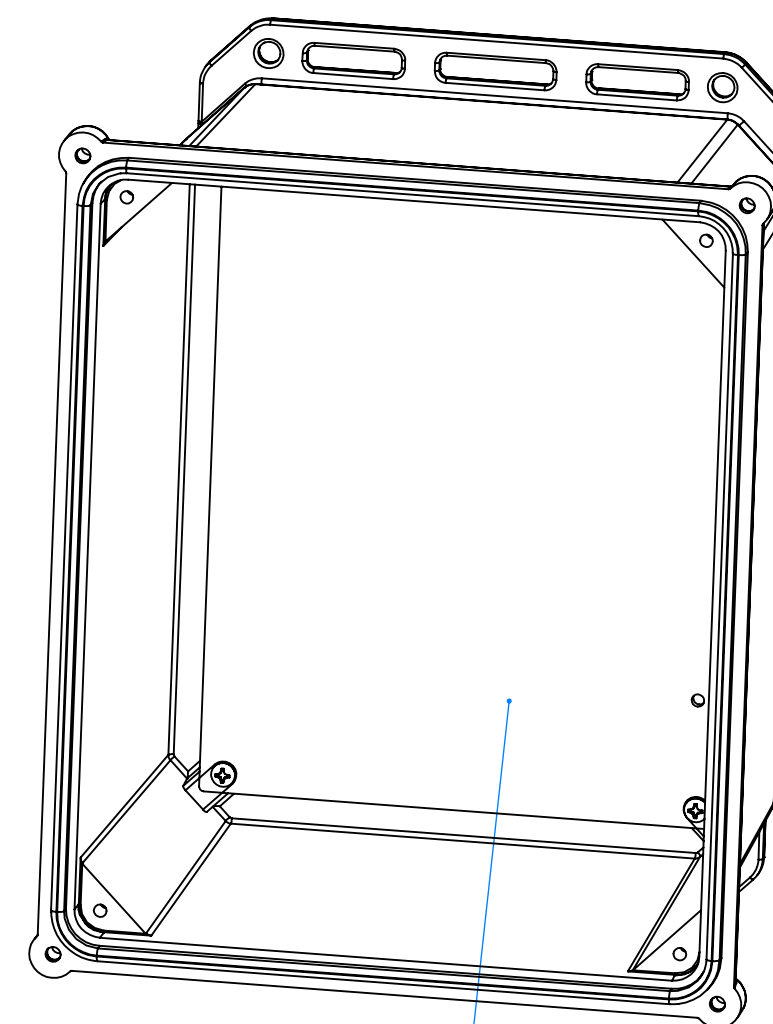
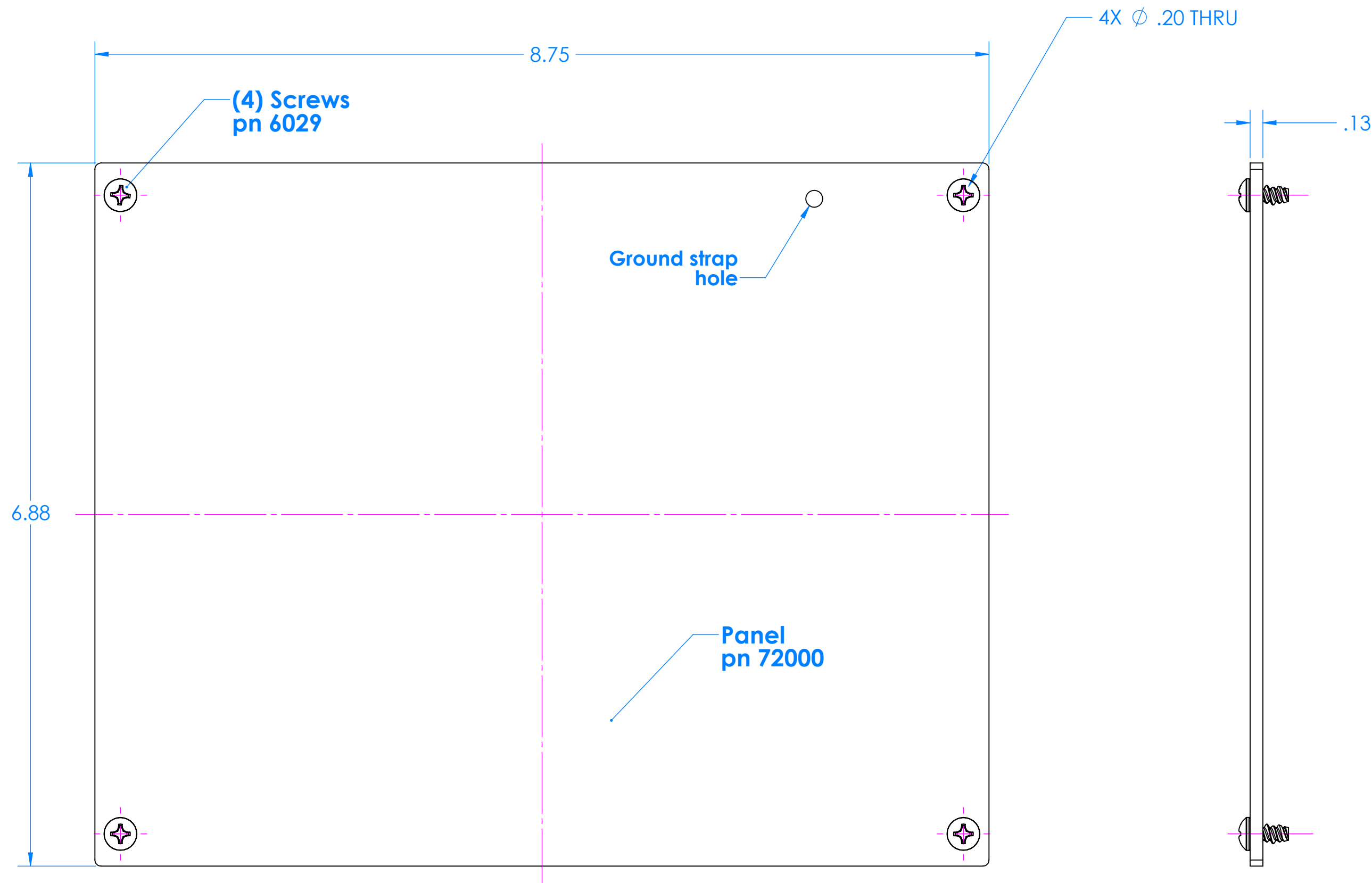
Part included in Kit number 7200T		
P/N	Qty.	Description
72040	1	Aluminum Top Panel
6029	4	SS #10 X 3/8" Pan HL Screw

# 72040 Aluminum Top Panel

352HL, 342HL, 352HS, 342HS, 352S and 342S



# 7200B Aluminum Bottom Panel Kit for 352HL, 342HL, 352HS, 342HS, 352S and 342S

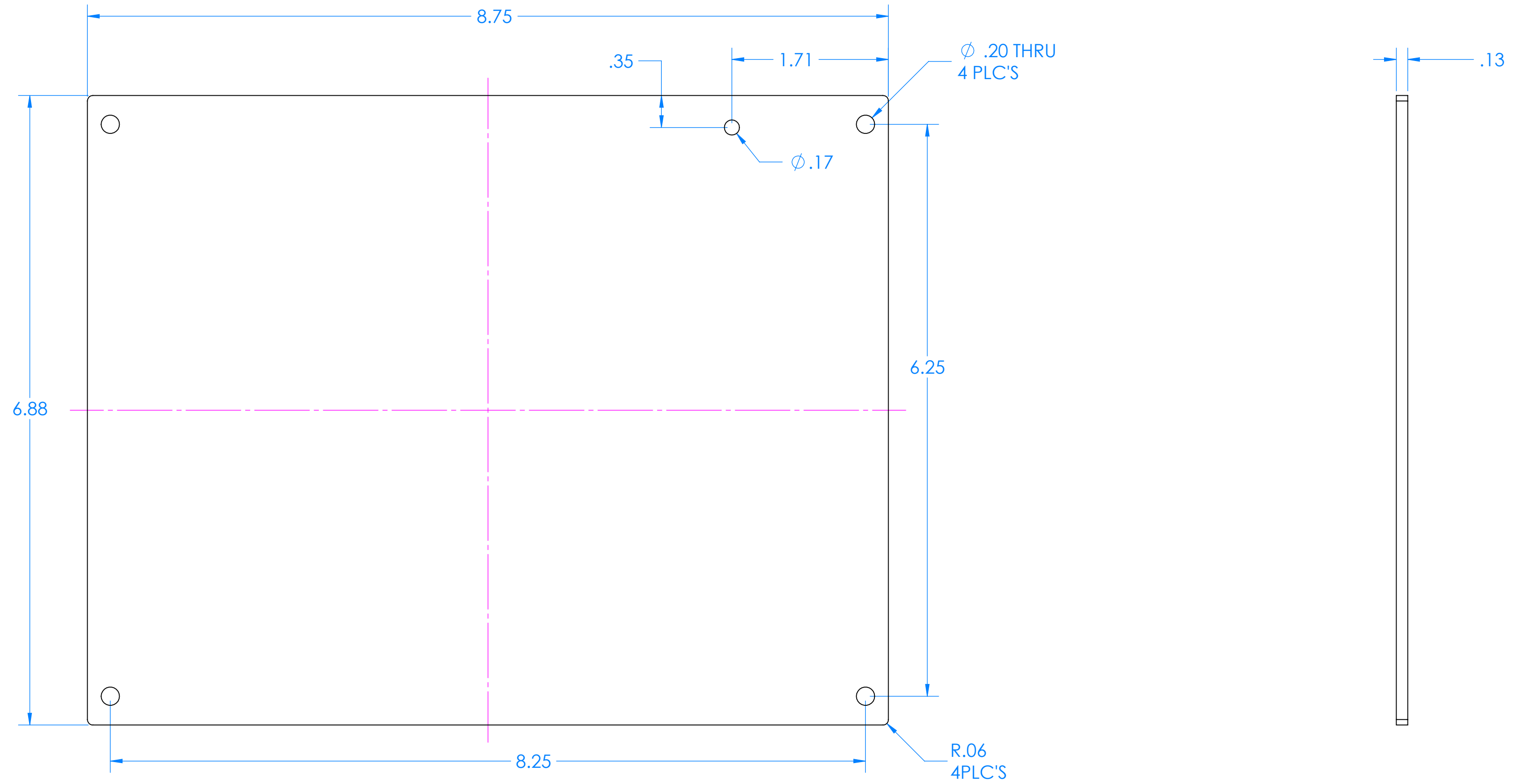


Optional kit  
pn 7200B

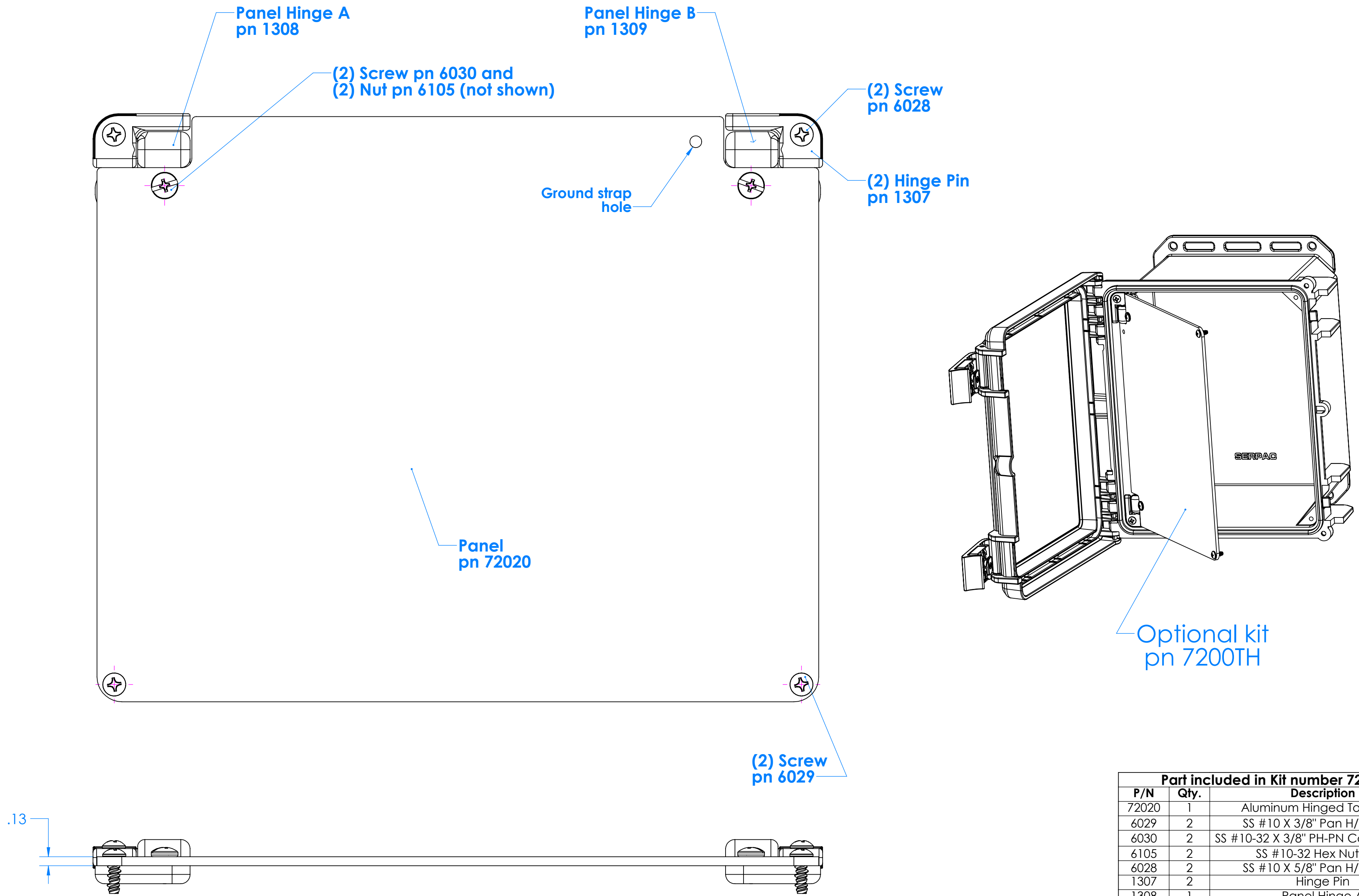
Part included in Kit number 7200B		
P/N	Qty.	Description
72000	1	Aluminum Bottom Panel
6029	4	SS #10 X 3/8" Pan HL Screw

# 72000 Aluminum Bottom Panel

352HL, 342HL, 352HS, 342HS, 352S and 342S



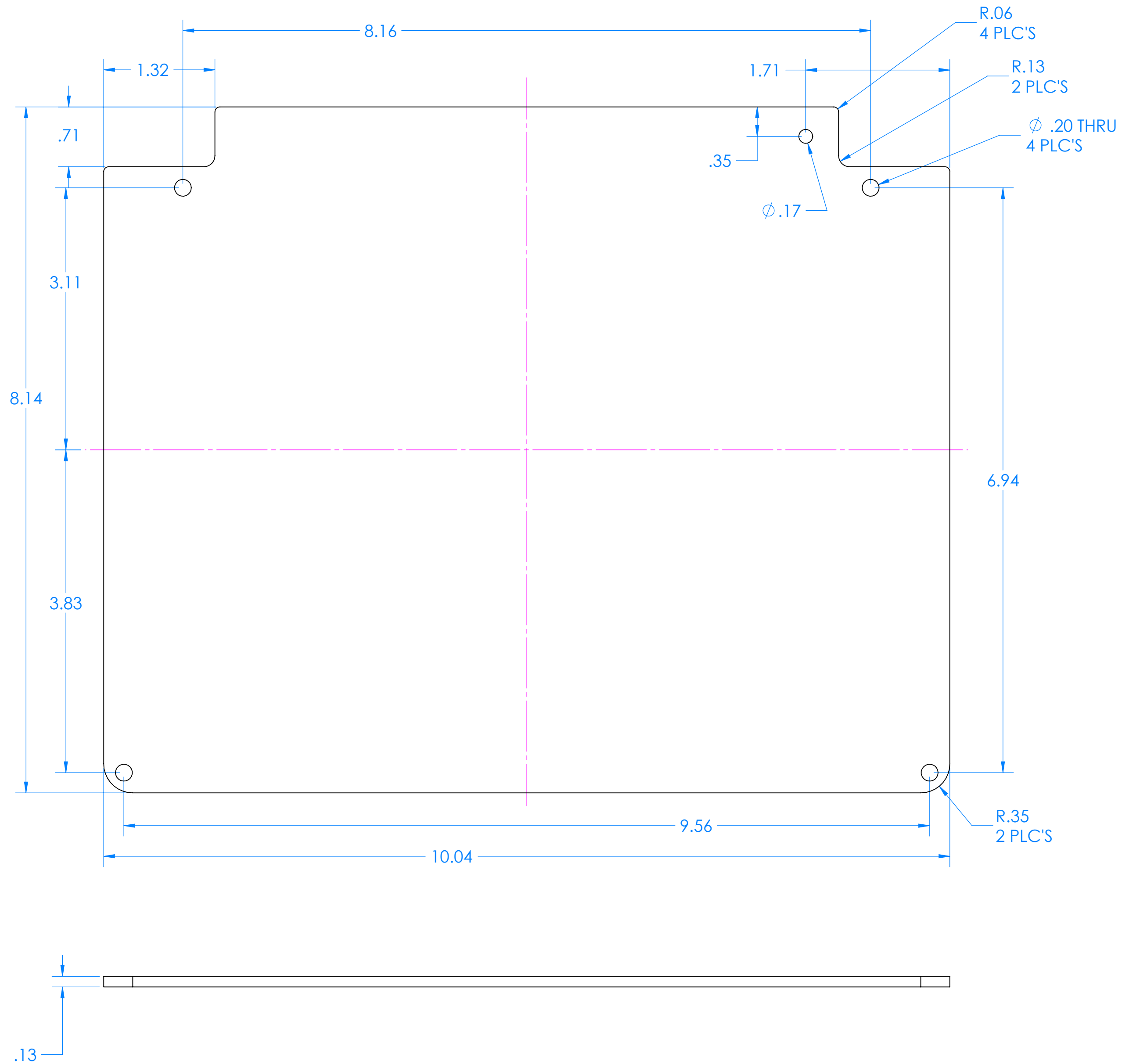
# 7200TH Aluminum Hinged Top Panel Kit for 352HL, 342HL, 352HS, 342HS, 352S and 342S



Part included in Kit number 7200TH		
P/N	Qty.	Description
72020	1	Aluminum Hinged Top Panel
6029	2	SS #10 X 3/8" Pan H/L Screw
6030	2	SS #10-32 X 3/8" PH-PN Combo Screw
6105	2	SS #10-32 Hex Nut Plain
6028	2	SS #10 X 5/8" Pan H/L Screw
1307	2	Hinge Pin
1308	1	Panel Hinge A
1309	1	Panel Hinge B

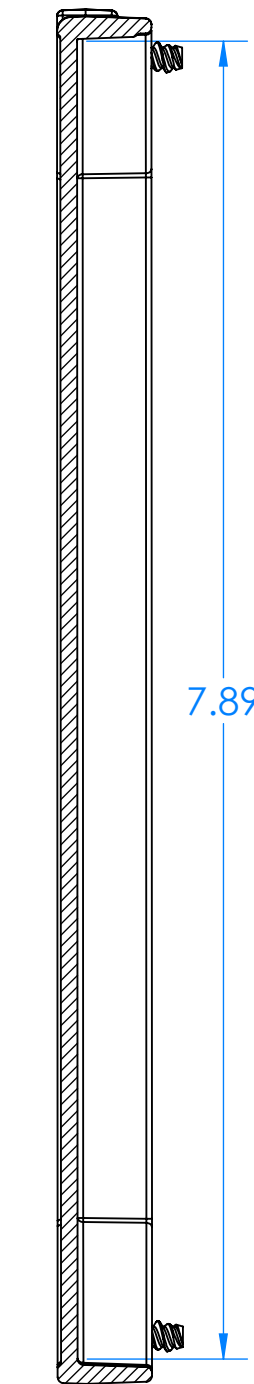
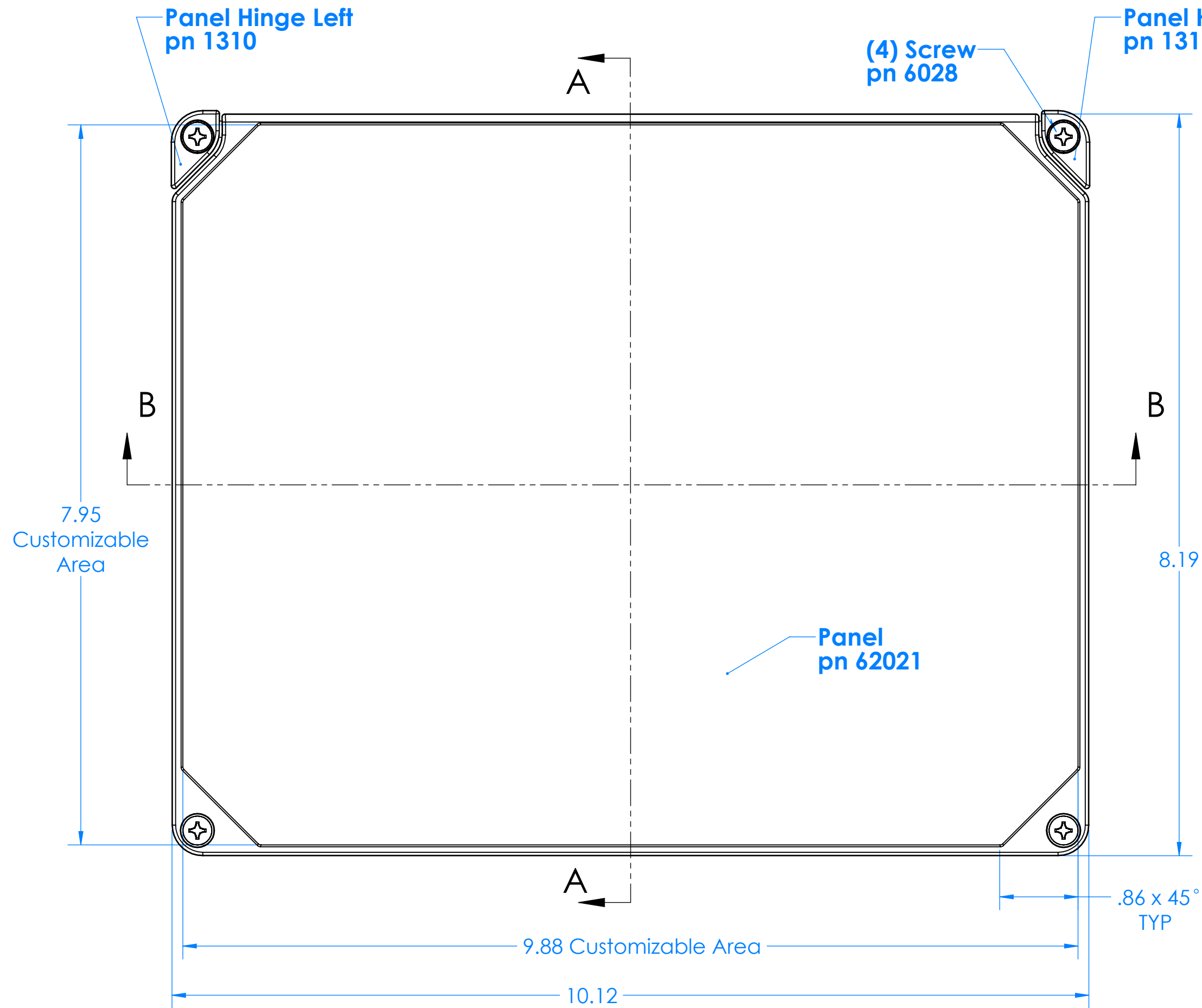
# 72020 Aluminum Hinged Panel

352HL, 342HL, 352HS, 342HS, 352S and 342S

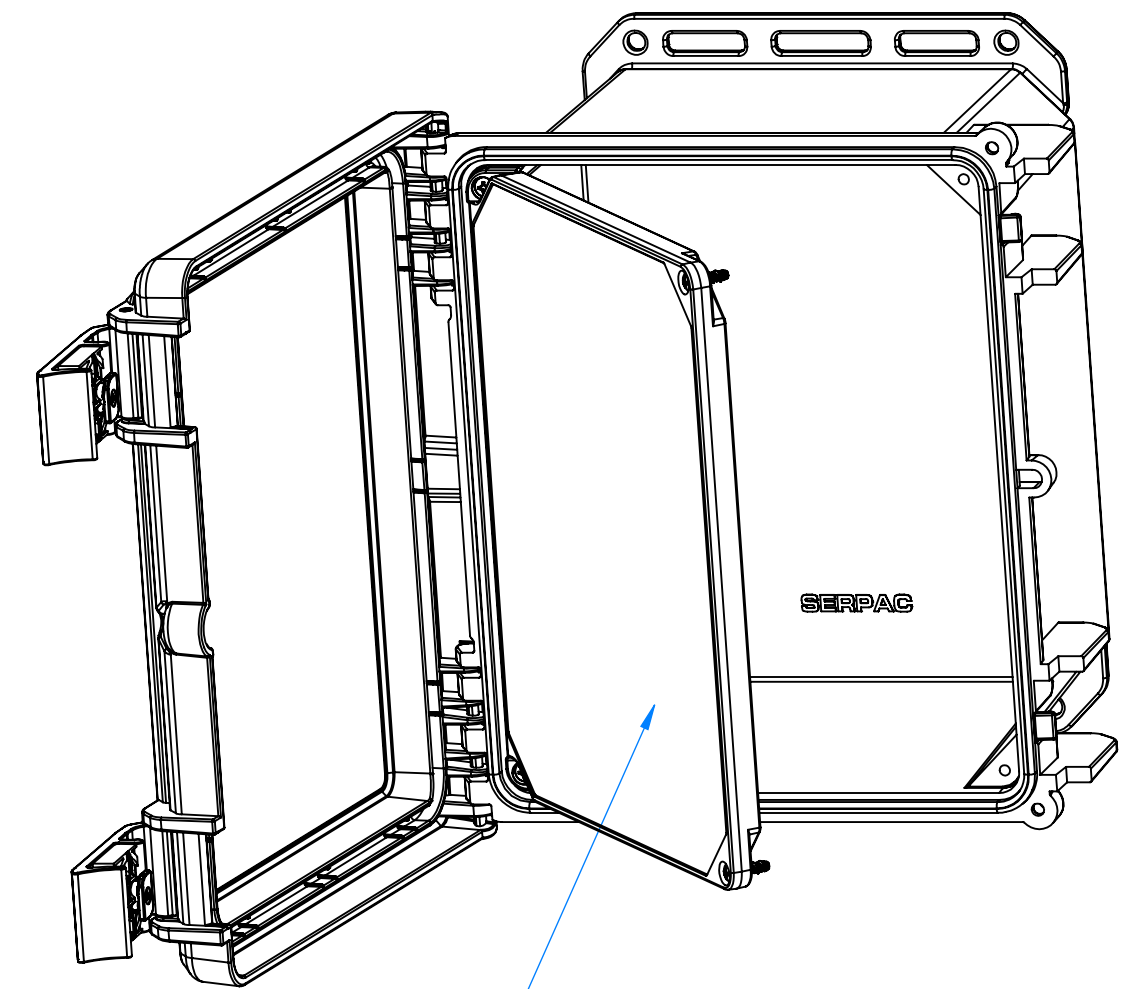




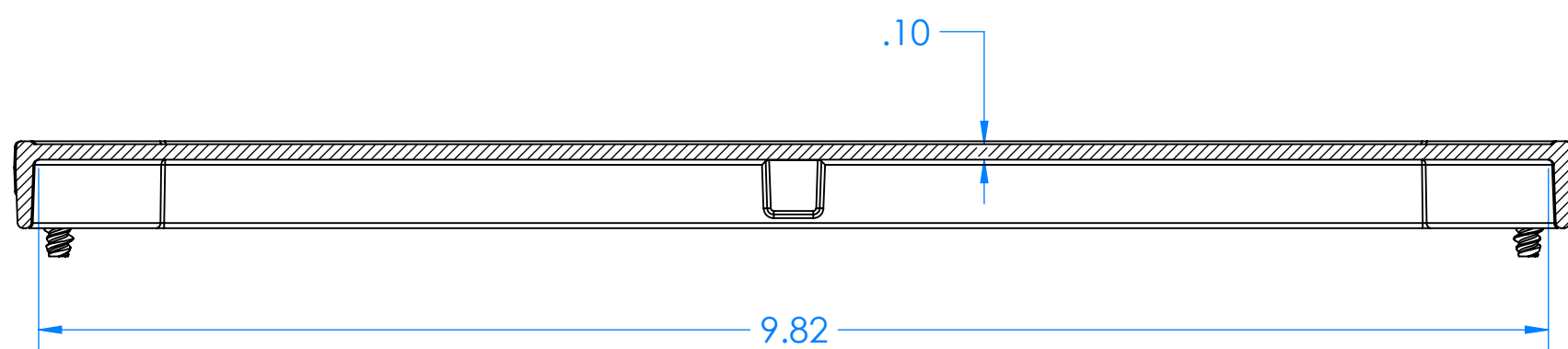
# 7200HP Plastic Hinged Top Panel Kit for 352HL, 342HL, 352HS, 342HS, 352S and 342S



**SECTION A-A**



Optional kit  
pn 7200HP

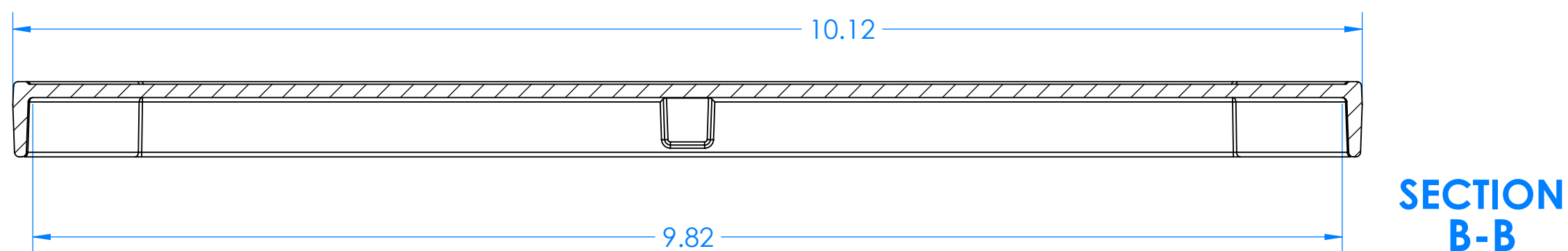
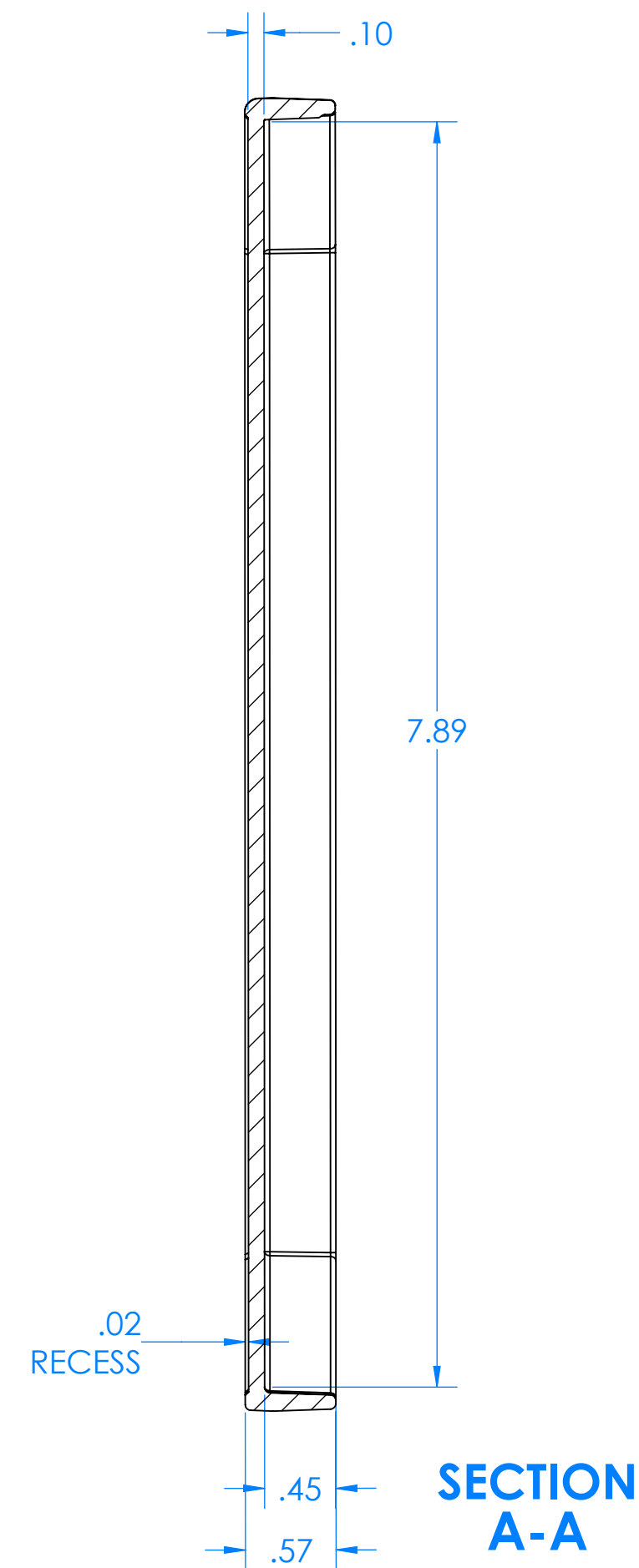
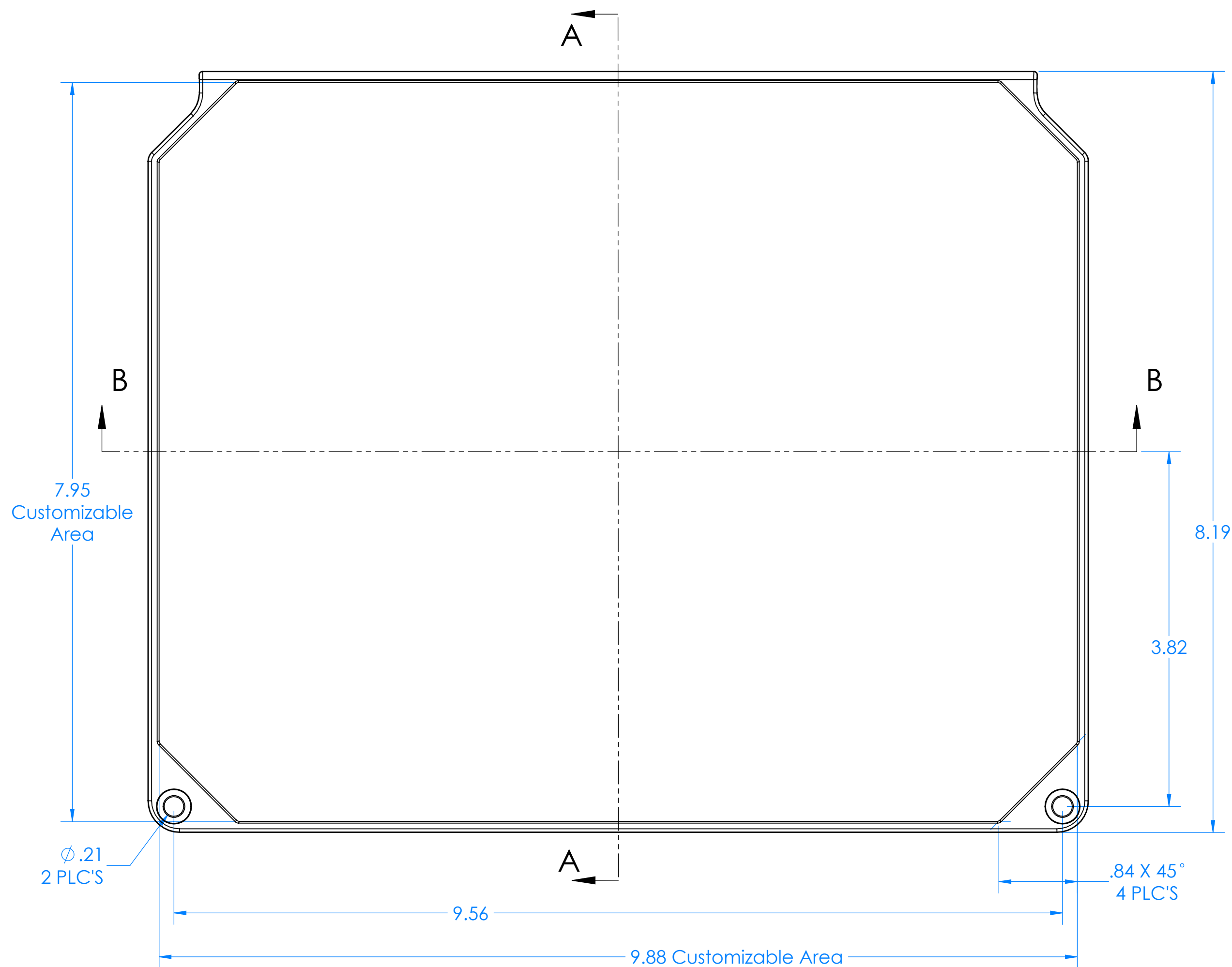


**SECTION B-B**

Parts Included in kit number 7200HP		
P/N	Qty.	Description
72021	1	Plastic Hinged Top Panel
1310	1	Panel Hinge Left
1311	1	Panel Hinge Right
6028	4	SS #10 X 5/8" Pan H/L Screw

# 72021 Plastic Hinged Top Panel

352HL, 342HL, 352HS, 342HS, 352S and 342S



# Mouser Electronics

Authorized Distributor

Click to View Pricing, Inventory, Delivery & Lifecycle Information:

[SERPAC:](#)

[I352S, TCBC](#) [I352S, TGBC](#) [I352S, TGBG](#)