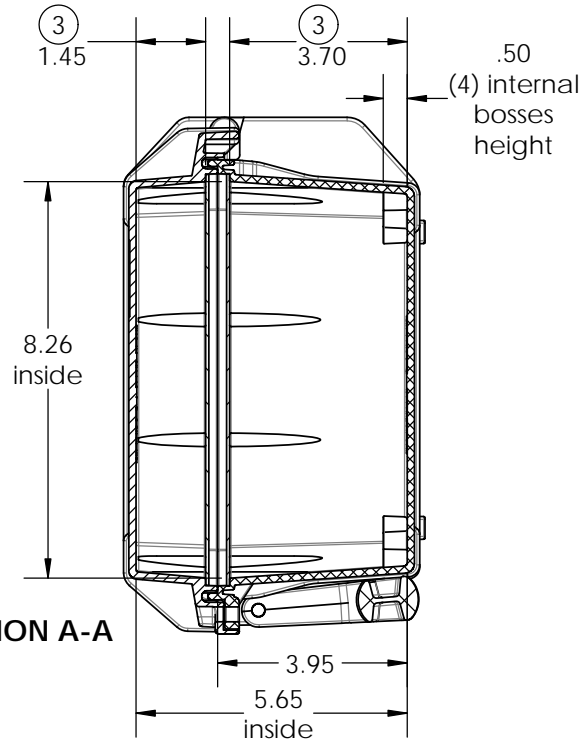


SERPAC SE430

Electronic Enclosures



SE430ML
Optional latch with metal lock. See note 4



NOTES:

- 1) Max. usable inside dimensions are:
11.22" X 8.26" X 5.65" (5.15" top of boss)
dim. are approx.
- 2) Bosses on bottom use a 1/4 self tapping screw.
- 3) Dimensions to bottom of panel flange
- 4) Optional latches with Metal Lock
Specify p/n SE430ML.

Mouser Electronics

Authorized Distributor

Click to View Pricing, Inventory, Delivery & Lifecycle Information:

SERPAC:

[SE430,BK](#) [SE430,DT](#) [SE430,YL](#) [SE430,OR](#) [SE430,GM](#) [SE430F,BK](#) [SE430F,DT](#) [SE430F,YL](#) [SE430F,OR](#)
[SE430F,GM](#)