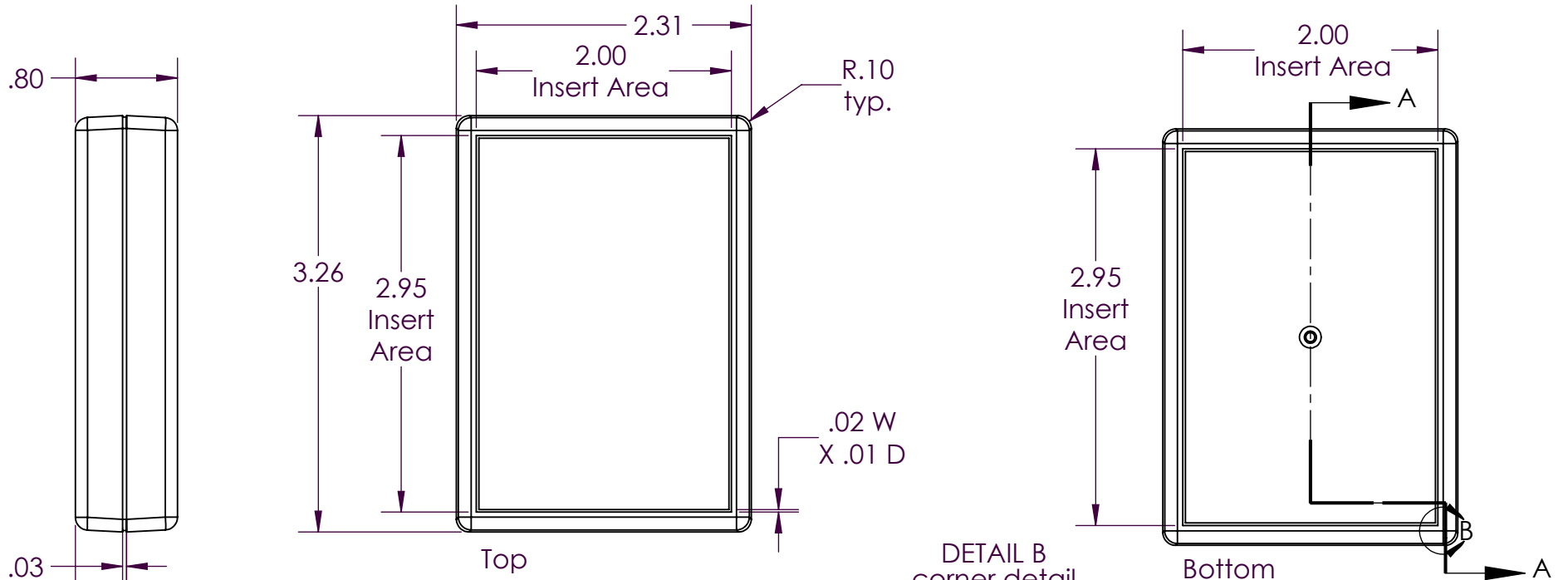


SERPAC C10

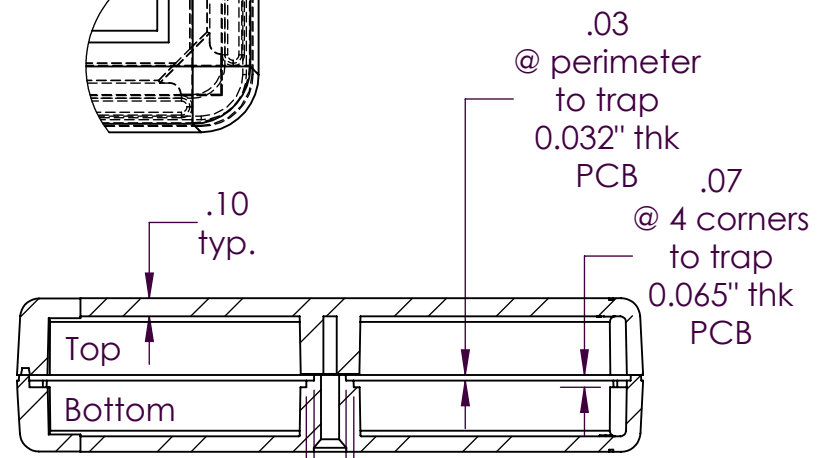
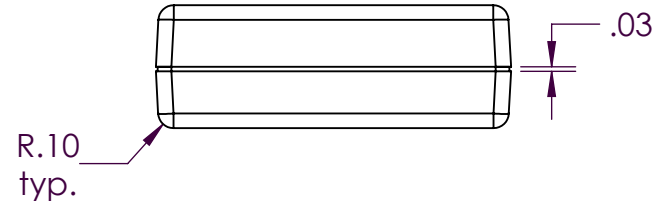
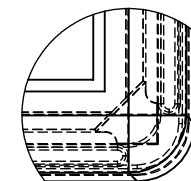
Electronic Enclosures

NOTES:

1) When machine or I-plates modifications are required, use the center of the enclosure to dimension.

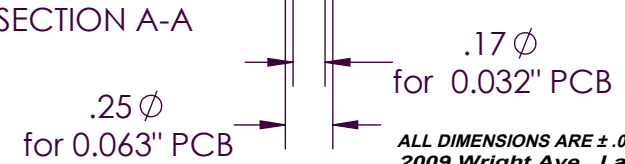


DETAIL B
corner detail



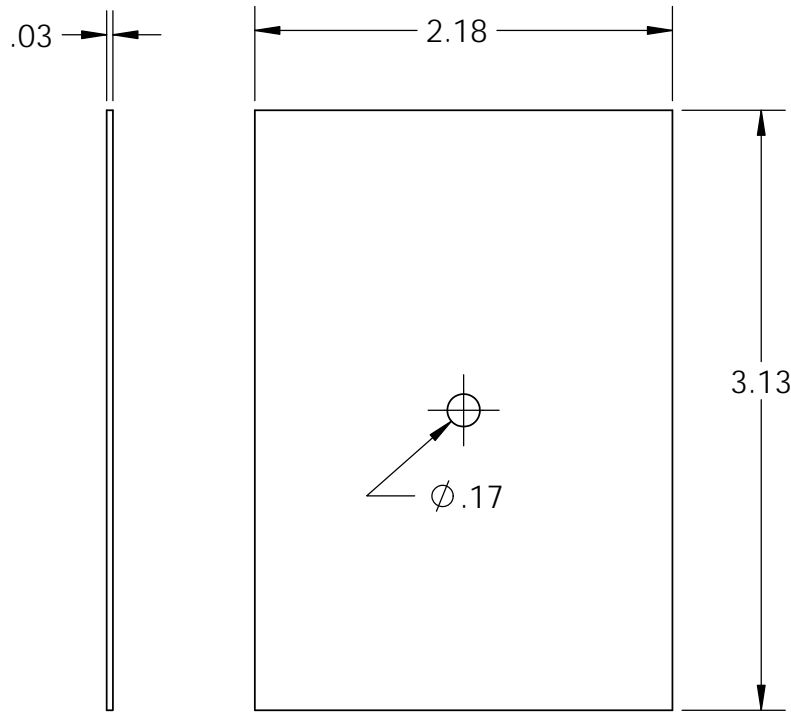
Enclosure can hold either a 0.032" PCB or a 0.063 PCB
 PCB dimensions are: (PCB drawings on page 2)
 0.032" [.8mm] PCB 3.13" X 2.18"
 0.063" [1.6mm] PCB 3.08" X 2.13"

PART NO.	DESCRIPTION	ACCESSORIES	
1007	C10 TOP	PART NO.	DESCRIPTION
1008	C10 BOTTOM	55	KEY HOLDER
6007	SCREW 2x3/4" PHILFLAT H/L (1)		

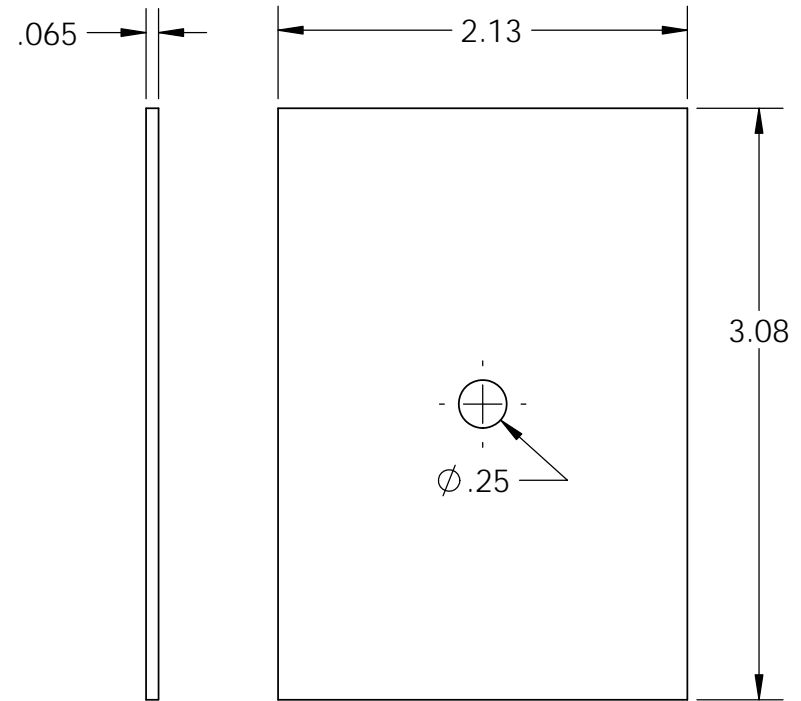


SERPAC CIRCUIT BOARD C10

Electronic Enclosures



.032 board



.065 board

NOTES:
These are suggested dimensions.
Plastic parts have a ± 0.010 " manufacturing tolerance.

11/14/2011

2009 Wright Ave., La Verne, CA 91750
(626) 331-0517 Fax (626) 331-8584 <http://www.serpac.com>.

Mouser Electronics

Authorized Distributor

Click to View Pricing, Inventory, Delivery & Lifecycle Information:

SERPAC:

[C-10-PC GRAY](#) [C-10-PC ALMOND](#) [C-10-PC BLACK](#) [C-10-A](#) [C-10-G](#) [C-10TR-BL](#) [C-10TR-GR](#) [C-10TR-GY](#) [C-10-B](#) [C-10TR-RD](#)