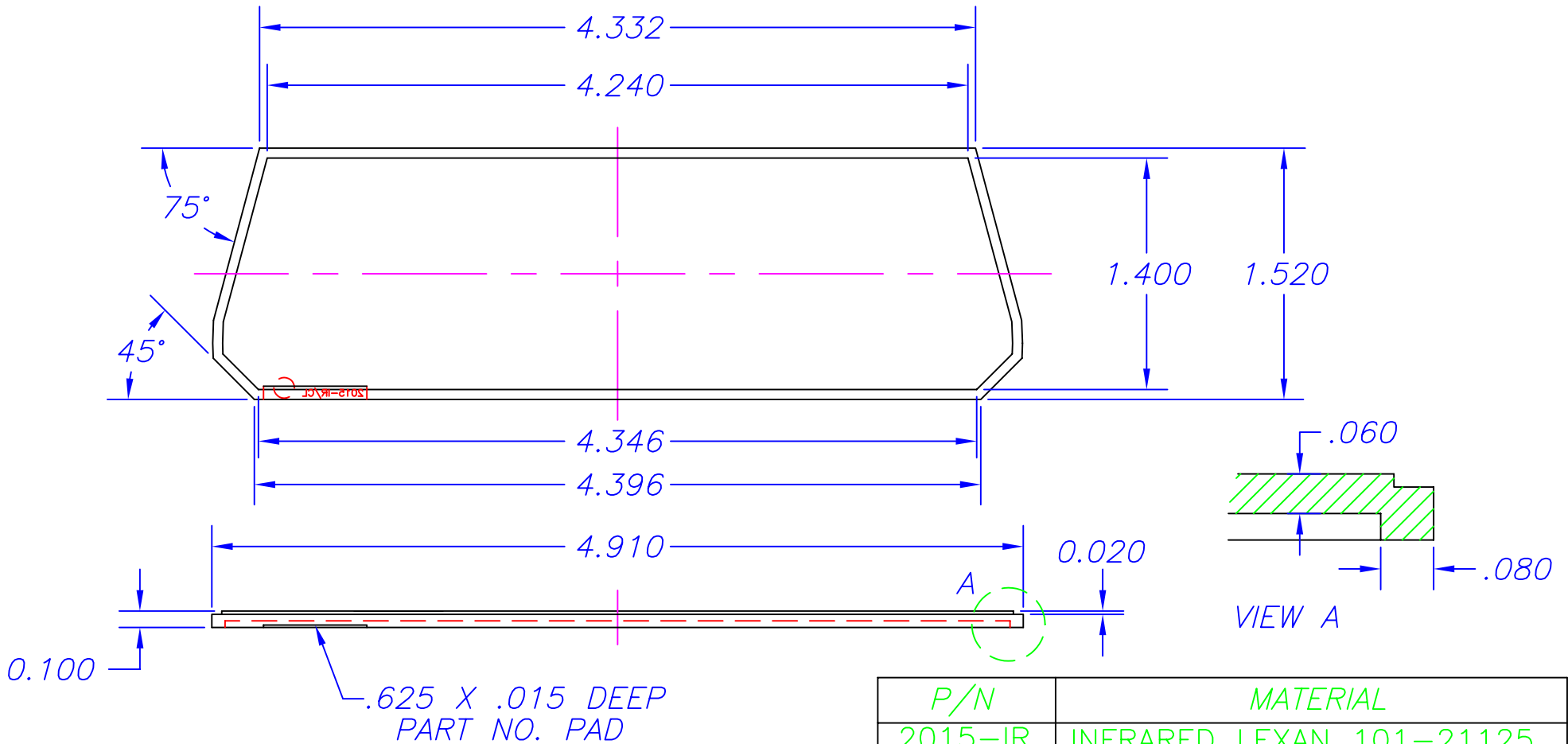


|     |          |      |
|-----|----------|------|
| NO. | REVISION | DATE |
| N/A |          | 5/96 |
|     |          |      |



| P/N     | MATERIAL                  |
|---------|---------------------------|
| 2015-IR | INFRARED LEXAN 101-21125  |
| 2015-CL | CLEAR TERLUX 2802TR(BASF) |

|           |       |       |       |                      |       |              |     |            |          |       |  |        |  |  |  |                     |  |
|-----------|-------|-------|-------|----------------------|-------|--------------|-----|------------|----------|-------|--|--------|--|--|--|---------------------|--|
| TITLE     |       |       |       | A-31 END PANEL IR/CL |       | DES.         |     | D.CHAMBERS |          | 6/93  |  | P/N    |  | 2015,IR or CL                          |  |                     |  |
| TOLERANCE |       |       |       | MAT'L                |       | DRWN.        |     |            |          |       |  | SERPAC |  |  |  |                     |  |
| DECIMAL   |       | FRAC. | ANG.  | SHEET NO.            | 1     | SCALE        | 1=1 | CKD.       |          |       |  |        |  |  |  |                     |  |
| .XX       | ±.010 | .XXX  | ±.005 | ±1/64                | ±1/2° | NO. OF SHTS. | 1   | DWG NO.    | A-31IRCL | APPR. |  |        |  |  |  |                     |  |
|           |       |       |       |                      |       |              |     |            |          |       |  |        |  | 612 COMMERCIAL AVE., COVINA, CA. 91723 |  |                     |  |
|           |       |       |       |                      |       |              |     |            |          |       |  |        |  | (818) 331-0517                         |  | FAX: (818) 331-8584 |  |

# Mouser Electronics

Authorized Distributor

Click to View Pricing, Inventory, Delivery & Lifecycle Information:

[SERPAC:](#)

[2015-CL](#) [2015-IR](#) [2015,CL](#) [2015,IR](#)