

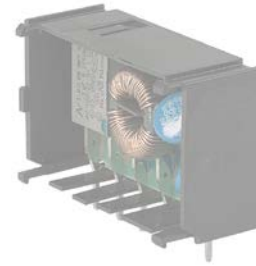
IEC Appliance Inlet C14 with Fuseholder 1- or 2-pole (5x20 mm)



Screw-on mounting



Snap-in mounting



KPF Filter Module  
(not enclosed)



Approvals and Compliances

**Description**

- Panel Mount :  
Sandwich/rear-side
- 2 Functions :  
Appliance Inlet Protection class I , Fuseholder for fuse-links 5 x 20 mm 1- or 2-pole
- Meets the requirements of IEC 60335-1 for appliances in unattended use. This includes the enhanced requirements of glow wire tests acc. to IEC 60695-2-12 and -13.
- For PCB mounting

**Characteristics**

- Panel mount from rear or "sandwich" between top and bottom/side to side panels  
PCB mount with snap-in or screw-on feet (self tapping screws Ø 3 x 8 mm)
- All single elements are already wired
- Fuse drawer meets requirements of medical standard IEC/EN 60601-1
- Insulation cover on the rear-side
- Suitable for use in equipment according to IEC/UL 60950

**Other versions on request**

- Solder terminals
- Quick-connect terminals
- For protection class II

**References**

Alternative: version with line filter [KPF](#)

**Weblinks**

[pdf datasheet](#), [html-datasheet](#), [General Product Information](#), [Distributor-Stock-Check](#), [Accessories](#), [Detailed request for product](#), [Microsite](#)

Newly available variants corresponding to V-Lock mating cordset. The connector is equipped with a notch intended for use with the latching cordset. The cord latching system prevents against accidental removal of the cordset.

**Technical Data**

Ratings IEC	10A / 250VAC; 50Hz	appliance inlet/-outlet	C14 acc. to IEC 60320-1, UL 498, CSA C22.2 no. 42 (for cold conditions) pin-temperature 70 °C, 10A, Protection Class I
Ratings UL/CSA	10A / 125VAC; 60Hz	Fuseholder	1 or 2 pole, Shocksafe category PC2 acc. to IEC 60127-6, for fuse-links 5 x 20mm
Dielectric Strength	> 2.3kVAC between L-N > 2.8kVAC between L/N-PE (1 min/50Hz)	Rated Power Acceptance @ Ta 23 °C	5 x 20: 2W (1 pole)/ 1.6W (2-pole) per pole
Allowable Operation Temperature	-25 °C to 70 °C	Power Acceptance @ Ta > 23 °C	Admissible power acceptance at higher ambient temperature see derating curves
IP-Protection	from front side IP 40 acc. to IEC 60529		
Insulation cover	Suitable for appliances with protection class I acc. to IEC 61140		
Terminal	For PCB mounting Quick connect terminals 4.8 x 0.8 mm Solder terminal on request		
Panel Thickness S	Snap-in: 1.5/2/2.5/3 mm		
Material: Housing	Thermoplastic, black, UL 94V-0		





**Approvals and Compliances**

Detailed information on product approvals, code requirements, usage instructions and detailed test conditions can be looked up in [Details about Approvals](#)

### Approvals






The approval mark is used by the testing authorities to certify compliance with the safety requirements placed on electronic products.

Approval Reference Type: KP01

Approval Logo	Certificates	Certification Body	Description
	VDE Approvals	VDE	Certificate Number: 40029370
	UL Approvals	UL	UL File Number: E93617
	CSA Approvals	CSA	CSA Certification Record: 38456
	CQC Approvals	CQC	CCC File Number: 2013010204594658




### Product standards

Product standards that are referenced

Organization	Design	Standard	Description
	Designed according to	IEC 60320-1	Appliance couplers for household and similar general purposes
	Designed according to	IEC 60127-6	Miniature fuses. Part 6. Fuse-holders for miniature fuse-links
	Designed according to	IEC 61058-1	Switches for appliances. Part 1. General requirements
	Designed according to	UL 498	Standard for Attachment Plugs and Receptacles
	Designed according to	CSA C22.2 no. 42	General Use Receptacles, Attachment Plugs, and Similar Wiring Devices







### Application standards

Application standards where the product can be used

Organization	Design	Standard	Description
	Designed for applications acc.	IEC/UL 60950	IEC 60950-1 includes the basic requirements for the safety of information technology equipment.
	Designed for applications acc.	IEC 60601-1	Medical electrical equipment - Part 1: General requirements for basic safety and essential performance
	Designed for applications acc.	IEC 60335-1	Safety of electrical appliances for household and similar purposes. Meets the requirements for appliances in unattended use. This includes the enhanced requirements of glow wire tests acc. to IEC 60695-2-12 and -13.

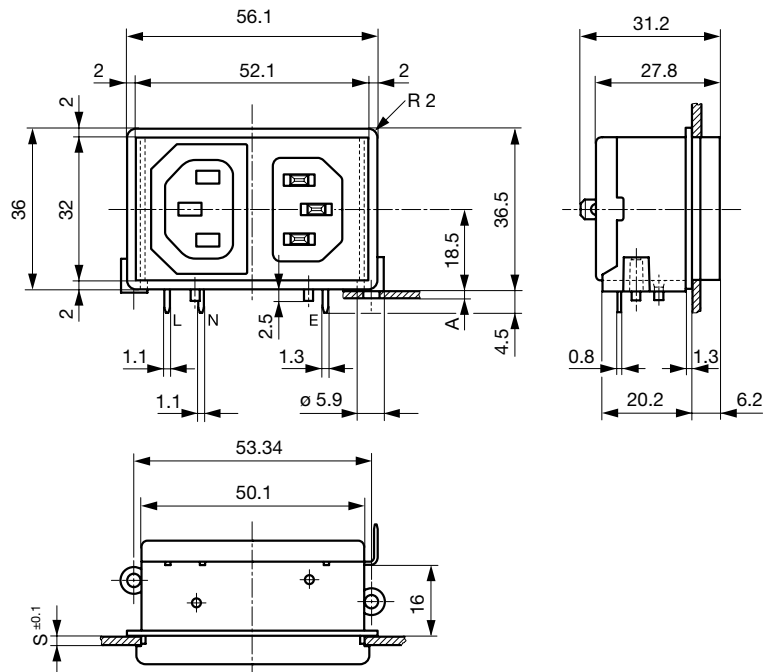
### Compliances

The product complies with following Guide Lines

Identification	Details	Initiator	Description
	CE declaration of conformity	SCHURTER AG	The CE marking declares that the product complies with the applicable requirements laid down in the harmonisation of Community legislation on its affixing in accordance with EU Regulation 765/2008.
	RoHS	SCHURTER AG	EU Directive RoHS 2011/65/EU
	China RoHS	SCHURTER AG	The law SJ / T 11363-2006 (China RoHS) has been in force since 1 March 2007. It is similar to the EU directive RoHS.
	REACH	SCHURTER AG	On 1 June 2007, Regulation (EC) No 1907/2006 on the Registration, Evaluation, Authorization and Restriction of Chemicals 1 (abbreviated as "REACH") entered into force.
	MicrositeV-Lock	SCHURTER AG	V-Lock system are based on a matching plug-dose combination. The connector is equipped with a notch intended for use with the latching cordset. The cord latching system prevents against accidental removal of the cordset.
	Medical Equipment	SCHURTER AG	Suitable for use in medical equipment according to IEC/UL 60601-1

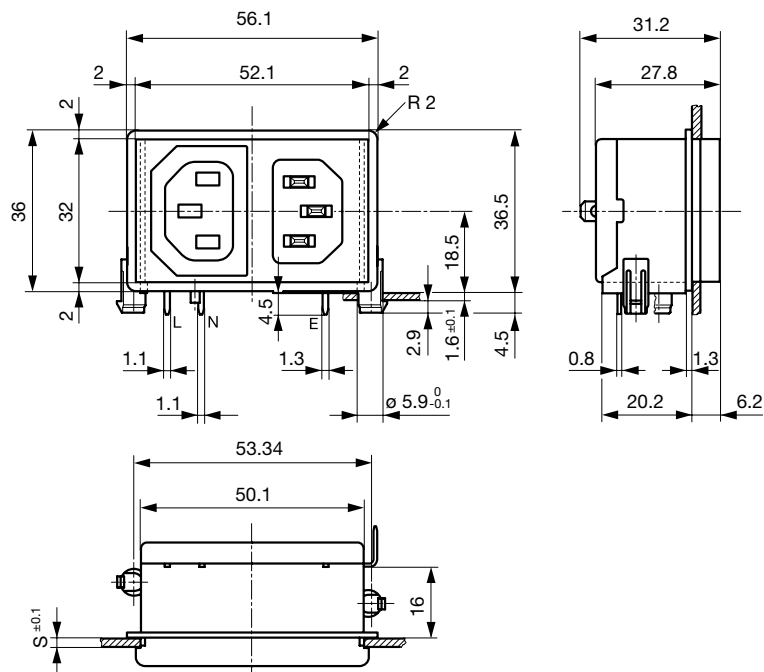
**Dimensions [mm]**

Screw-on mounting



A = for PCB-thickness 1.2/1.6/2.0/2.4 mm  
 Additional quick connect terminal 4.8 x 0.8 mm

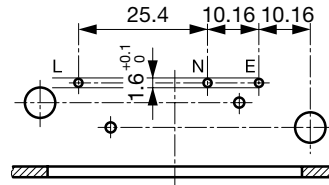
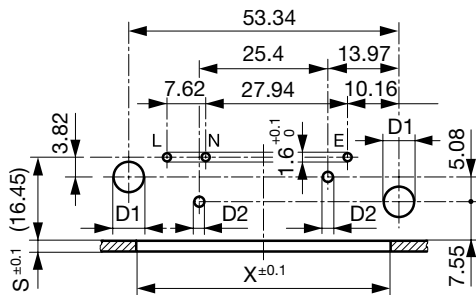
Snap-in mounting



Additional quick connect terminal 4.8 x 0.8 mm  
 s = panel thickness

For 2-pole inlet/switch, 2-pole inlet fuseholder and inlet/outlet

oFr combinations:  
 Inlet/switch 1-pole, inlet/fuseholder 1-pole



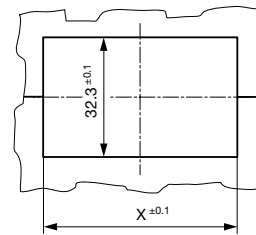
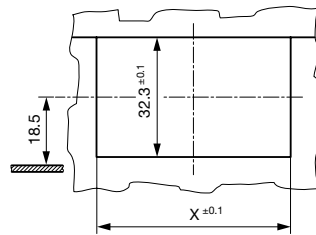
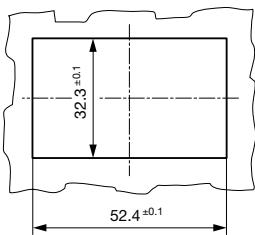
d1 = 6 ± 0.05 für (snap-in)  
 d1 = 3.6 (screw-on)  
 d2 = 2.1 + 0.1/-0 (screw-on)  
 Dimensions without tolerance:  
 ≤ 15 = ± 0.05; ≥ 15 = ± 0,1

S and X see mounting holes

Mounting holes for backside mounting

Sandwich mounting holes

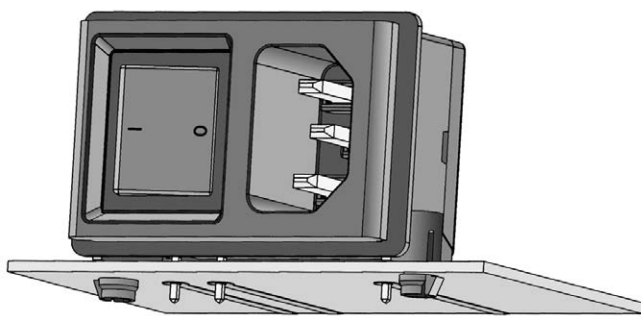
Sandwich mounting holes



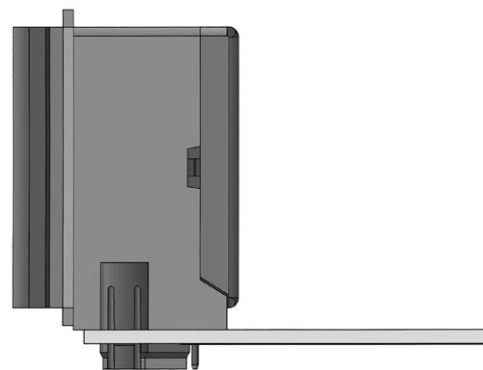
X = 48.4 at S = 1.5 and 2.5  
 X = 50.4 at S = 2.0 and 3.0

X = 48.4 at S = 1.5 and 2.5  
 X = 50.4 at S = 2.0 and 3.0

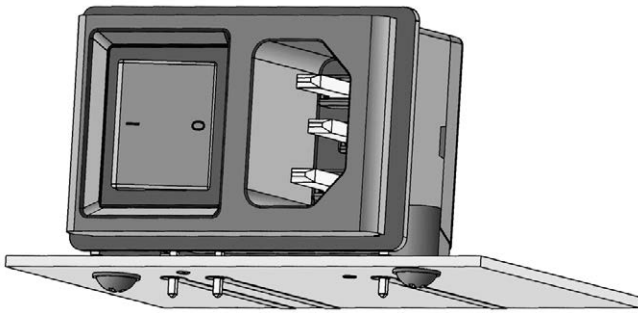
Assembly Instructions



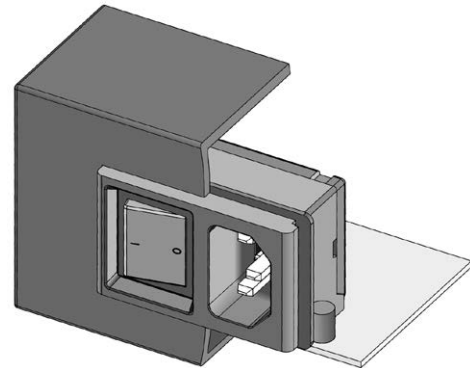
Stable snap feet requires minimal insertion force



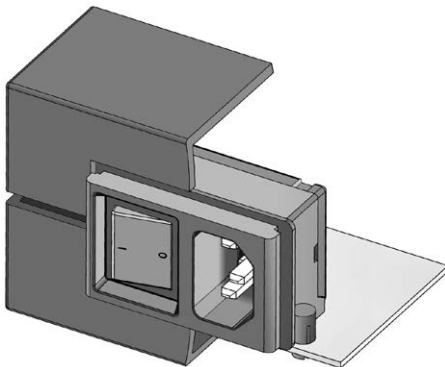
Module must lay flat on the PCB when soldering



Screw-on mount  
 uses self-tapping screws

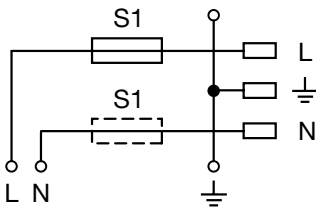


Insertion from behind



"Sandwich" mounting with split enclosure panels

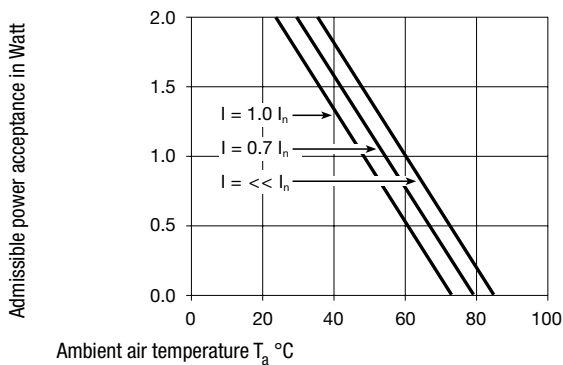
**Diagrams**



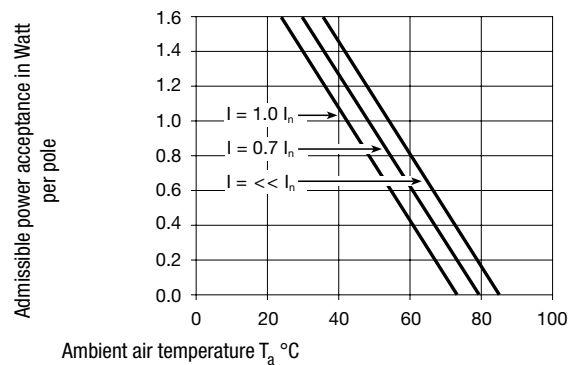
Inlet with fuseholder  
 (5 x 20 mm)

**Derating Curves**

1-pole



2-pole



## All Variants

Panel mounting	Panel Thickness s [mm]	PCB [mm]	Line Switch	Fuseholder	Connector	V-Lock	Order Number
Snap-in	2	1.6	-	1-pole	-		KP01.1412.01
Snap-in	2	1.6	-	2-pole	-		KP01.1312.01
Snap-in	3	1.6	-	1-pole	-		KP01.1413.01
Snap-in	3	1.6	-	2-pole	-		KP01.1313.01
Screw	2	1.2/1.6/2.0/2.4	-	1-pole	-		KP01.1452.01
Screw	2	1.2/1.6/2.0/2.4	-	2-pole	-		KP01.1352.01
Screw	3	1.2/1.6/2.0/2.4	-	1-pole	-		KP01.1453.01
Screw	3	1.2/1.6/2.0/2.4	-	2-pole	-		KP01.1353.01

Availability for all products can be searched real-time: <https://www.schurter.com/en/Stock-Check/Stock-Check-SCHURTER>

Type KP without cover: KP01.XXXX.XX90

Ground Terminal with solder pin: KP01.XXXX.X3XX

**Packaging unit** 50 Pcs

## Mating Outlets/Connectors

### Category / Description

#### Appliance Outlet Overview complete



IEC Appliance Outlet F, Screw-on Mounting, Front Side, Solder Terminal	4787
IEC Appliance Outlet F, Snap-in Mounting, Front Side, Solder or Quick-connect Terminal	4788
IEC Appliance Outlet F or H, Screw-on Mounting, Front Side, Solder, PCB or Quick-connect Terminal	5091

[Appliance Outlet further types to KP \(FH\)](#)

#### Connector Overview complete



4782 Mounting: Power Cord, 3 x 1 mm <sup>2</sup> / 3 x 18 AWG, Cable, Connector: IEC C13	4782
4022 Mounting: Power Supply Cord, 3 x 1.5 mm <sup>2</sup> , Screw clamps, Connector: IEC C13	4022
4785 Mounting: Power Cord, 3 x 1 mm <sup>2</sup> / 3 x 18 AWG, Cable, Connector: IEC C13	4785
4300-06 Mounting: Power Cord, 3 x 1 mm <sup>2</sup> / 3 x 18 AWG, Cable, Connector: IEC C13	4300-06
4012 Mounting: Power Supply Cord, 3 x 1.5 mm <sup>2</sup> , Screw clamps, Connector: IEC C13	4012

[Connector further types to KP \(FH\)](#)

...

## Mating Outlets/Connectors shuttered



#### Power Cord Overview complete

VAC13KS, Overview, diverse Connector IEC C13, cord end:	VAC13KS
---------------------------------------------------------	---------

[Power Cord further types to KP \(FH\)](#)

# Mouser Electronics

Authorized Distributor

Click to View Pricing, Inventory, Delivery & Lifecycle Information:

Schurter:

[KP01.1352.01](#) [KP01.1312.01](#) [KP01.1412.01](#) [KP01.1452.01](#) [KP01.1313.01](#) [KP01.1353.01](#) [KP01.1413.01](#)  
[KP01.1453.01](#)