

Main

Range of product	OsiSense XU
Accessory / separate part category	Sensor accessories
Accessory / separate part type	Reflector
Accessory / separate part designation	Reflector 50 x 50 mm
Accessory / separate part destination	XUY photoelectric sensors reflex polarised

Complementary

Product compatibility	XUYB989... XUYBCO989...
Accessory dimension	50 x 50 mm
Product weight	0.04 lb(US) (0.018 kg)

Environment

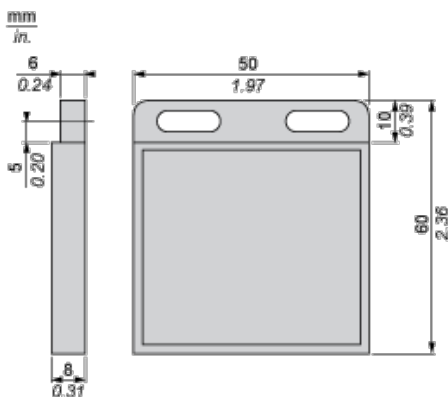
Offer Sustainability

Not Green Premium product	Not Green Premium product
Compliant - since 0727 - Schneider Electric declaration of conformity	Compliant - since 0727 - Schneider Electric declaration of conformity
WARNING: This product can expose you to chemicals including:	WARNING: This product can expose you to chemicals including:
Diisononyl phthalate (DINP), which is known to the State of California to cause cancer, and	Diisononyl phthalate (DINP), which is known to the State of California to cause cancer, and
Di-isodecyl phthalate (DIDP), which is known to the State of California to cause birth defects or other reproductive harm.	Di-isodecyl phthalate (DIDP), which is known to the State of California to cause birth defects or other reproductive harm.
For more information go to www.p65warnings.ca.gov	For more information go to www.p65warnings.ca.gov

Contractual warranty

Warranty period	18 months
-----------------	-----------

Dimensions



Mouser Electronics

Authorized Distributor

Click to View Pricing, Inventory, Delivery & Lifecycle Information:

[Schneider Electric:](#)

[XUY1111](#)