

Product availability: Non-Stock - Not normally stocked in distribution facility



### Main

Range of product	Preventa Safety automation
Product or component type	Preventa safety module
Safety module name	XPSBCE
Safety module application	For electrical monitoring of two-hand control stations
Function of module	Monitoring two-hand control station
Safety level	Can reach PL e/category 4 conforming to EN/ISO 13849-1 Can reach SILCL 3 conforming to EN/IEC 62061
Safety reliability data	DC > 99 % conforming to EN/ISO 13849-1 MTTFd = 37 years conforming to EN/ISO 13849-1 PFHd = 3E-8 1/h conforming to EN/IEC 62061
Connections - terminals	Captive screw clamp terminals, removable terminal block, clamping capacity: 1 x 0.2...1 x 2.5 mm <sup>2</sup> solid cable without cable end Captive screw clamp terminals, removable terminal block, clamping capacity: 1 x 0.2...1 x 2.5 mm <sup>2</sup> flexible cable without cable end Captive screw clamp terminals, removable terminal block, clamping capacity: 1 x 0.25...1 x 2.5 mm <sup>2</sup> flexible cable with cable end, without bezel Captive screw clamp terminals, removable terminal block, clamping capacity: 1 x 0.25...1 x 1.5 mm <sup>2</sup> flexible cable with cable end, with bezel Captive screw clamp terminals, removable terminal block, clamping capacity: 2 x 0.2...2 x 1 mm <sup>2</sup> solid cable without cable end Captive screw clamp terminals, removable terminal block, clamping capacity: 2 x 0.2...2 x 1 mm <sup>2</sup> flexible cable without cable end Captive screw clamp terminals, removable terminal block, clamping capacity: 2 x 0.25...2 x 1 mm <sup>2</sup> flexible cable with cable end, without bezel Captive screw clamp terminals, removable terminal block, clamping capacity: 2 x 0.5...2 x 1.5 mm <sup>2</sup> flexible cable with cable end, with double bezel
Output type	Relay 2 NO, volt-free
Number of additional circuits	1 NC
[Us] rated supply voltage	24 V AC/DC (- 15...10 %)

### Complementary

Synchronisation time between inputs	0.5 s
Supply frequency	50/60 Hz
Power consumption in VA	<= 4 VA
Input protection type	Internal, electronic
Number of inputs	1 NC + NO
Input compatibility	Two-hand control conforming to EN 574/ISO 13851-III C
[Uc] control circuit voltage	24 V DC
Breaking capacity	B300: holding 360 VA AC-15 relay output B300: inrush 3600 VA AC-15 relay output
Breaking capacity	1.5 A/24 V - L/R = 50 ms, DC-13 relay output
[Ith] conventional free air thermal current	<= 6 A
Associated fuse rating	6 A gG for relay output conforming to EN/IEC 60947-5-1, DIN VDE 0660 part 200

Minimum output current	10 mA relay output
Minimum output voltage	17 V relay output
Response time on input open	<= 50 ms
[Ui] rated insulation voltage	300 V, degree of pollution 2 conforming to IEC 60947-5-1 300 V, degree of pollution 2 conforming to DIN VDE 0110 part 1
[Uimp] rated impulse withstand voltage	4 kV overvoltage category III, conforming to IEC 60947-5-1 4 kV overvoltage category III, conforming to DIN VDE 0110 part 1
Local signalling	3 LEDs
Mounting support	35 mm symmetrical DIN rail
Product weight	0.6 lb(US) (0.272 kg)

## Environment

Standards	EN/IEC 60947-5-1 EN 574 type III C/ISO 13851 EN/IEC 60204-1
Product certifications	CSA UL BG
IP degree of protection	IP20(Terminals) conforming to EN/IEC 60529 IP40(enclosure) conforming to EN/IEC 60529
Ambient air temperature for operation	-13...131 °F (-25...55 °C)
Ambient air temperature for storage	-13...167 °F (-25...75 °C)

## Ordering and shipping details

Category	22477 - SAFETY MODULES (PREVENTA)
Discount Schedule	SAF2
GTIN	00785901770060
Nbr. of units in pkg.	1
Package weight(Lbs)	0.7099999999999996
Returnability	N
Country of origin	DE

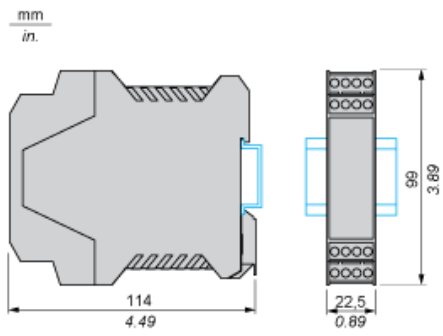
## Offer Sustainability

California proposition 65	WARNING: This product can expose you to chemicals including:
----- Substance 1	Lead and lead compounds, which is known to the State of California to cause cancer and birth defects or other reproductive harm.
----- More information	For more information go to <a href="http://www.p65warnings.ca.gov">www.p65warnings.ca.gov</a>

## Contractual warranty

Warranty period	18 months
-----------------	-----------

Dimensions



# Mouser Electronics

Authorized Distributor

Click to View Pricing, Inventory, Delivery & Lifecycle Information:

[Schneider Electric:](#)

[XPSBCE3110P](#)