

Product availability: Non-Stock - Not normally stocked in distribution facility



Main

Range of product	Magelis iPC
Product or component type	Multi-touch screen
Processor name	Intel Atom E3827 dual core 1.75 GHz
Chipset type	Intel Atom SoC
Free slots	1 Internal SATA HDD/SSD 1 CFast
Display size	10.1 inch
Display colour	267000 colours
Luminance	27.87 fc (300 cd/m ²)
Pixel resolution	4096 x 4096
Video controller type	Intel HD Graphics
Operating system	Windows 10 IoT Enterprise 64 bit multi-language
Software package	EcoStruxure secure connect advisor annual subscription cyber security license not included EcoStruxure operator terminal expert run time HMI license not included EcoStruxure machine SCADA expert run time HMI/SCADA on configured offer only EcoStruxure augmented operator advisor server augmented operator license not included

Complementary

Number of points	5
Terminal type	Touchscreen display
Memory type	RAM DDR3 4 GB internal
Data storage equipment	500 GB enterprise hard disk extension back side
Aspect ratio	16:9
Display type	LED Colour TFT LCD
Display resolution	1280 x 800 pixels WSVGA
Backlight lifespan	50000 hours
View angle horizontal x vertical	160 x 160°
Touch panel	Projected capacitive technology (PCT)
Type of cooling	Passive Fanless
Watchdog timer	1...255 ms
Number of slots	1 mini PCI Express full-size
[Us] rated supply voltage	100...240 V AC with additional adaptor HMIYPSOMAC1 24 V DC +/- 20 %
Line Rated Current	1.9 A
Mechanical robustness	7H hardness anti-scratch
Local signalling	Buzzer Green LED on Orange LED stand-by
Function available	Operate with water on screen
Width	11.15 in (283.1 mm)
Height	7.96 in (202.3 mm)
Depth	3.37 in (85.5 mm)
Cut-out dimensions	274.6 (+/- 0.7) x 193.8 (+/- 0.4)
Product weight	5.51 lb(US) (2.5 kg)

Environment

IP degree of protection	IP66 front panel
Product certifications	C-Tick CE RCM AS/NZS EAC CCC
Standards	UL 60950 IEC 61000-6-4 IEC 61000-6-2 IEC 60950 FCC part 15 class A CSA C22.2 No 60950 CISPR 11
Directives	2006/95/EC - low voltage directive 1907/2006/EC - REACH directive 2012/19/EU - WEEE directive 2011/65/EU - RoHS directive 2004/108/EC - electromagnetic compatibility
Pollution degree	2
Ambient air temperature for operation	32...131 °F (0...55 °C) SSD 32...131 °F (0...55 °C) Cfast card 32...113 °F (0...45 °C) HDD 32...113 °F (0...45 °C) Mini PCIe
Ambient air temperature for storage	-4...140 °F (-20...60 °C)
Relative humidity	10...95 % non-condensing
Operating altitude	2000
Vibration resistance	1 gn 5...500 Hz HDD 2 gn 5...500 Hz SSD 2 gn 5...500 Hz Cfast card

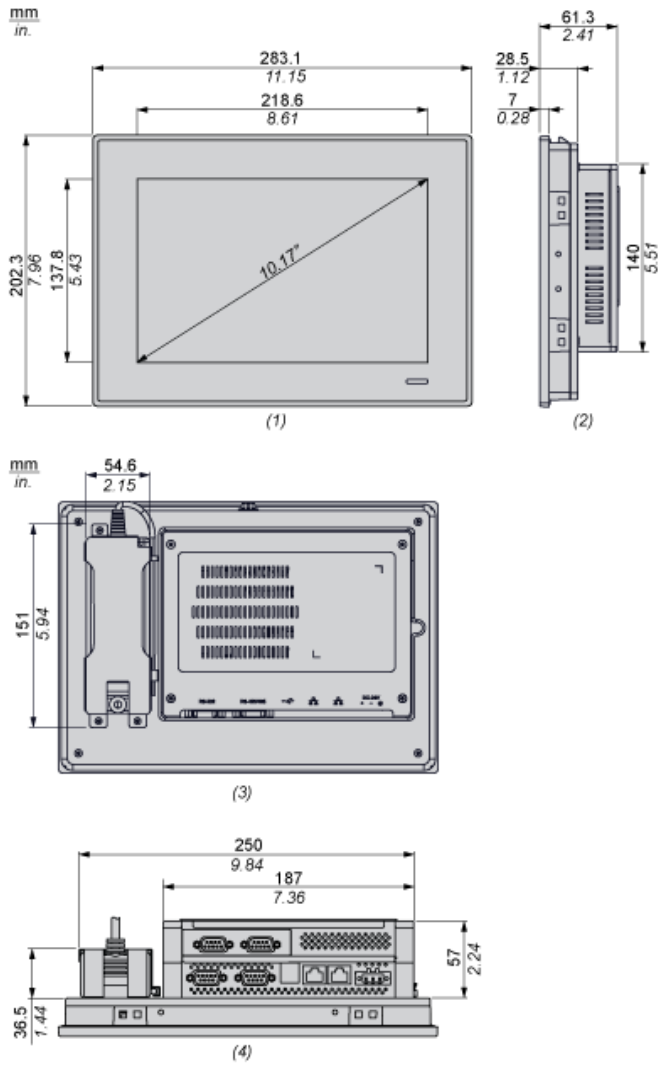
Ordering and shipping details

Category	22575 - MAGELIS MC3
Discount Schedule	MC3
GTIN	00785901016779
Nbr. of units in pkg.	1
Package weight(Lbs)	10.1
Returnability	N
Country of origin	US

Offer Sustainability

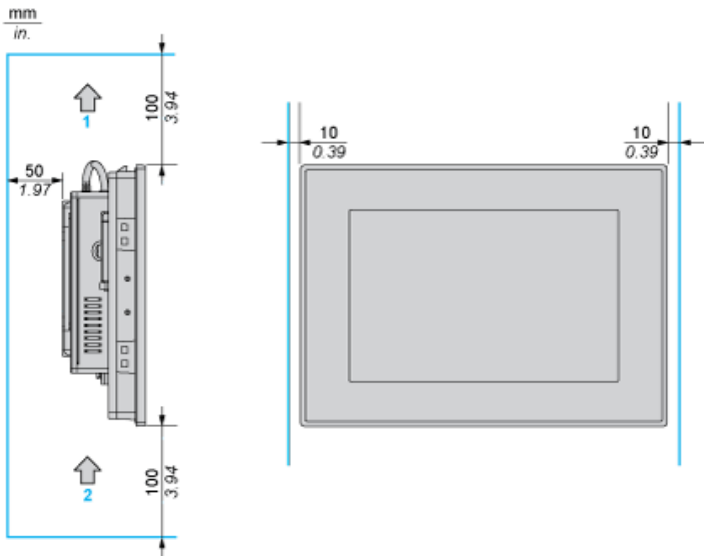
RoHS (date code: YYWW)	Compliant - since 1604 - Schneider Electric declaration of conformity Schneider Electric declaration of conformity
REACH	Reference not containing SVHC above the threshold
California proposition 65	WARNING: This product can expose you to chemicals including:
----- Substance 1	Lead and lead compounds, which is known to the State of California to cause cancer and birth defects or other reproductive harm.
----- More information	For more information go to www.p65warnings.ca.gov

Dimensions



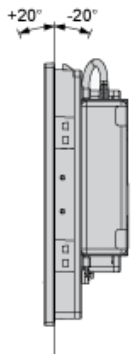
- (1) Front view
- (2) Right view
- (3) Back view
- (4) Bottom view

Spacing Requirements

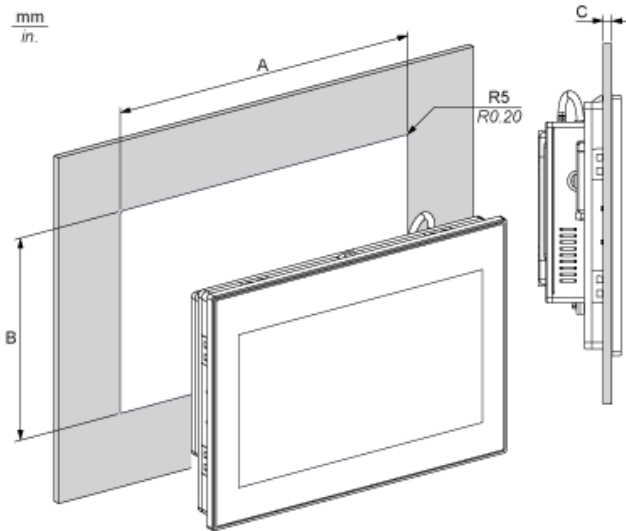


- 1 : Air out
- 2 : Air in

Mounting Orientation



Panel Cut Dimensions



A		B		C		R	
mm	in.	mm	in.	mm	in.	mm	in.
274.6	10.81	193.8	7.63	2...6	0.08...0.23	5	0.20

Mouser Electronics

Authorized Distributor

Click to View Pricing, Inventory, Delivery & Lifecycle Information:

[Schneider Electric:](#)

[HMIPSOH552D1801](#)