

# Product data sheet

## Characteristics

# TDRPRO-5100

time delay relay, SE Relays, DPDT, 12A, 12-240VAC/DC, 100 ms to 9990 hours, 7 time scales, 10 functions, socket comptbl



### Main

Product Range	Legacy
Product Type	Time delay relay
Switch Function	DPDT
Contacts Material	Silver alloy contacts
Time Delay Type	Multifunction
Setting-up	Thumbwheel
Rated Supply Voltage	12...240 V AC/DC 50...60 Hz

### Complementary

Time Delay Range	100 ms...9990 hr in steps of 0.1 s 100 ms...9990 hr in steps of 1 second 100 ms...9990 hr in steps of 0.1 min 100 ms...9990 hr in steps of 1 min 100 ms...9990 hr in steps of 0.1 h 100 ms...9990 hr in steps of 1 h 100 ms...9990 hr in steps of 10 h
Operating Time	25 ms
Brake Release Time	25 ms
Control Type	Dial front
Voltage Range	0.85...1.15 Un
Nominal Output Current	12 A
Local Signalling	1 LED red, blinking timing in progress 1 LED per input green
Repeat Accuracy	+/- 0.1 % of the measuring range
Reset Time	150 ms maximum
Power Consumption in VA	2.5 VA 12...240 V
Power Consumption in W	2 W 12...240 V
Rated Operational Current	12 A at 120 V AC (on resistive load) 12 A at 240 V AC (on resistive load) 12 A at 30 V DC (on resistive load)
Motor Power HP	1 Hp 240 V AC 0.5 hp 120 V AC
Minimum Switching Current	100 mA
Electrical Durability	100000 cycles
Mechanical Durability	10000000 cycles
Mounting Support	Socket
Height	2.83 in (71.95 mm)
Width	1.89 in (48 mm)
Depth	1.88 in (47.8 mm)
Product Weight	4.23 oz (120 g)

The information provided in this documentation contains general descriptions and/or technical characteristics of the performance of the products contained herein. This documentation is not intended as a substitute for and is not to be used for determining suitability or reliability of these products for specific user applications. It is the duty of any such user or integrator to perform the appropriate and complete risk analysis, evaluation and testing of the products with respect to the relevant specific application or use thereof. Neither Schneider Electric Industries SAS nor any of its affiliates or subsidiaries shall be responsible or liable for misuse of the information contained herein.

## Environment

Dielectric Strength	2500 V between input and output
Standards	IEC 61810-1
Product Certifications	UL
Ambient Air Temperature for Storage	-40...185 °F (-40...85 °C)
Ambient Air Temperature for Operation	14...131 °F (-10...55 °C)
IP Degree of Protection	IP40 IEC 60529 enclosure)

## Ordering and shipping details

GTIN	3606480283062
Nbr. of units in pkg.	1
Package weight(Lbs)	4.69 oz (133.0 g)

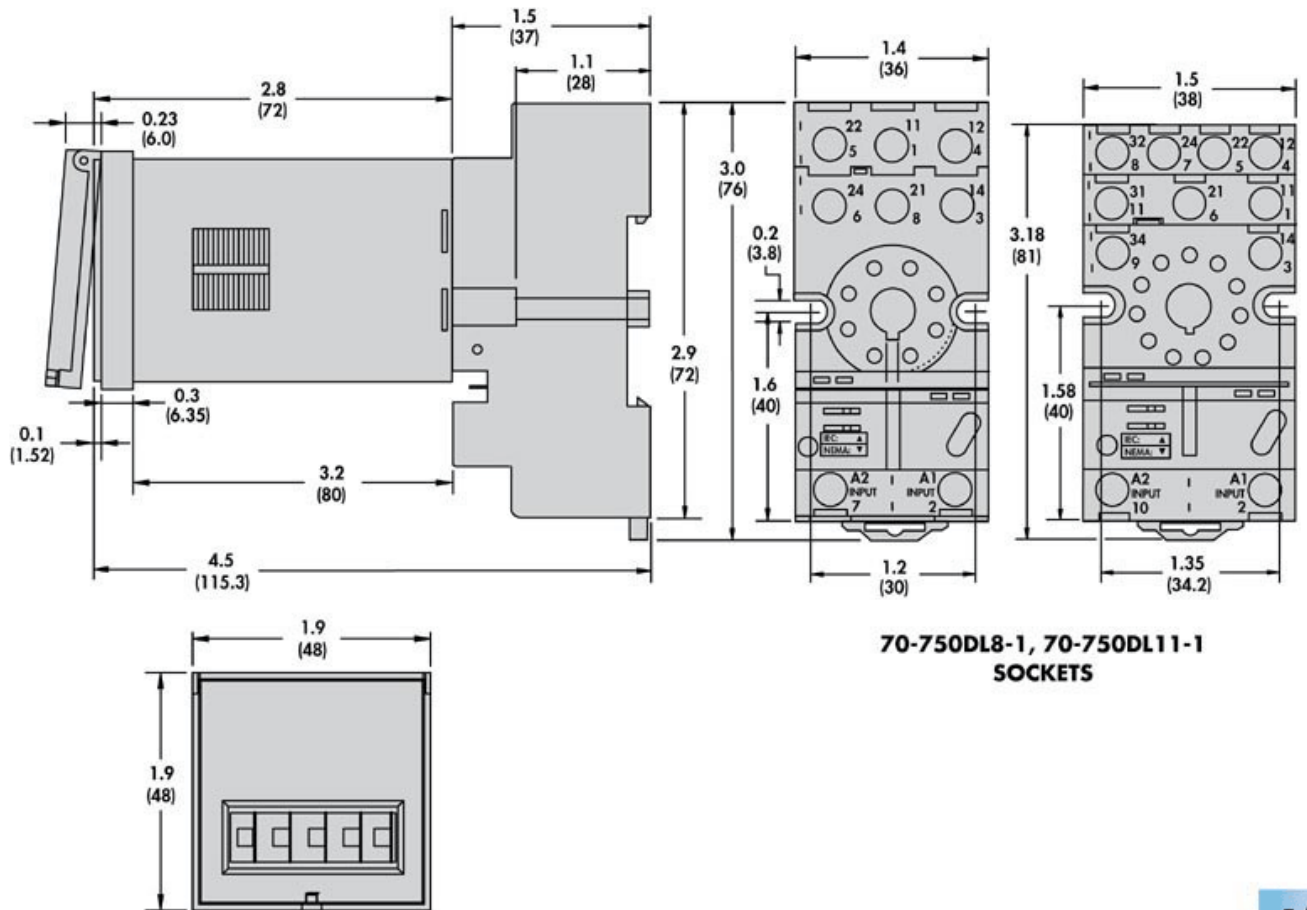
## Packing Units

Unit Type of Package 1	PCE
Package 1 Height	1.89 in (4.8 cm)
Package 1 width	1.89 in (4.8 cm)
Package 1 Length	3.33 in (8.448 cm)
Unit Type of Package 2	CAR
Number of Units in Package 2	100
Package 2 Weight	32.41 lb(US) (14.7 kg)
Package 2 Height	12.60 in (32 cm)
Package 2 width	9.06 in (23 cm)
Package 2 Length	23.62 in (60 cm)

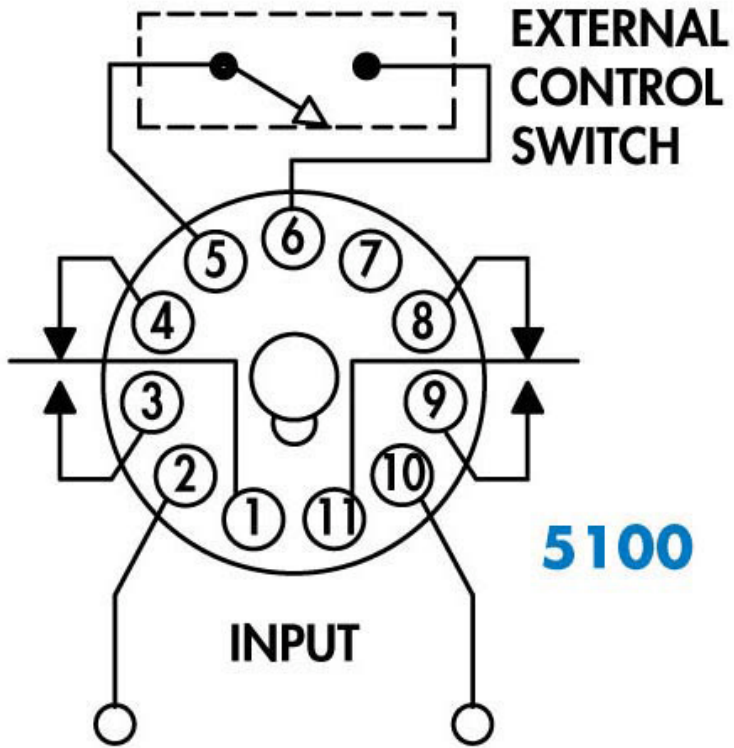
## Offer Sustainability

California proposition 65	WARNING: This product can expose you to chemicals including: Nickel compounds, which is known to the State of California to cause cancer, and Di-isodecyl phthalate (DIDP), which is known to the State of California to cause birth defects or other reproductive harm. For more information go to <a href="http://www.P65Warnings.ca.gov">www.P65Warnings.ca.gov</a>
REACH Regulation	<a href="#">REACH Declaration</a>
REACH free of SVHC	Yes
EU RoHS Directive	Pro-active compliance (Product out of EU RoHS legal scope) <a href="#">EU RoHS Declaration</a>
Toxic heavy metal free	Yes
Mercury free	Yes
RoHS exemption information	<a href="#">Yes</a>
China RoHS Regulation	<a href="#">China RoHS Declaration</a>
WEEE	The product must be disposed on European Union markets following specific waste collection and never end up in rubbish bins.

Approximate Dimensions



Connections and Wiring Diagrams



# Mouser Electronics

Authorized Distributor

Click to View Pricing, Inventory, Delivery & Lifecycle Information:

[Schneider Electric:](#)

[TDRPRO-5100](#)