



Main

Range of Product	Legacy
Accessory / Separate Part Type	Heat sink
Quantity per Set	1 piece

Complementary

Product compatibility	1 solid state relay SSR screw fixing
Number of mounting holes	2
Width	4.73 in (120.14 mm)
Height	5.51 in (139.95 mm)
Depth	2.65 in (67.31 mm)
Net Weight	19.70 oz (558.5 g)

Ordering and shipping details

GTIN	3606480282942
Nbr. of units in pkg.	1
Package weight(Lbs)	19.70 oz (558.5 g)

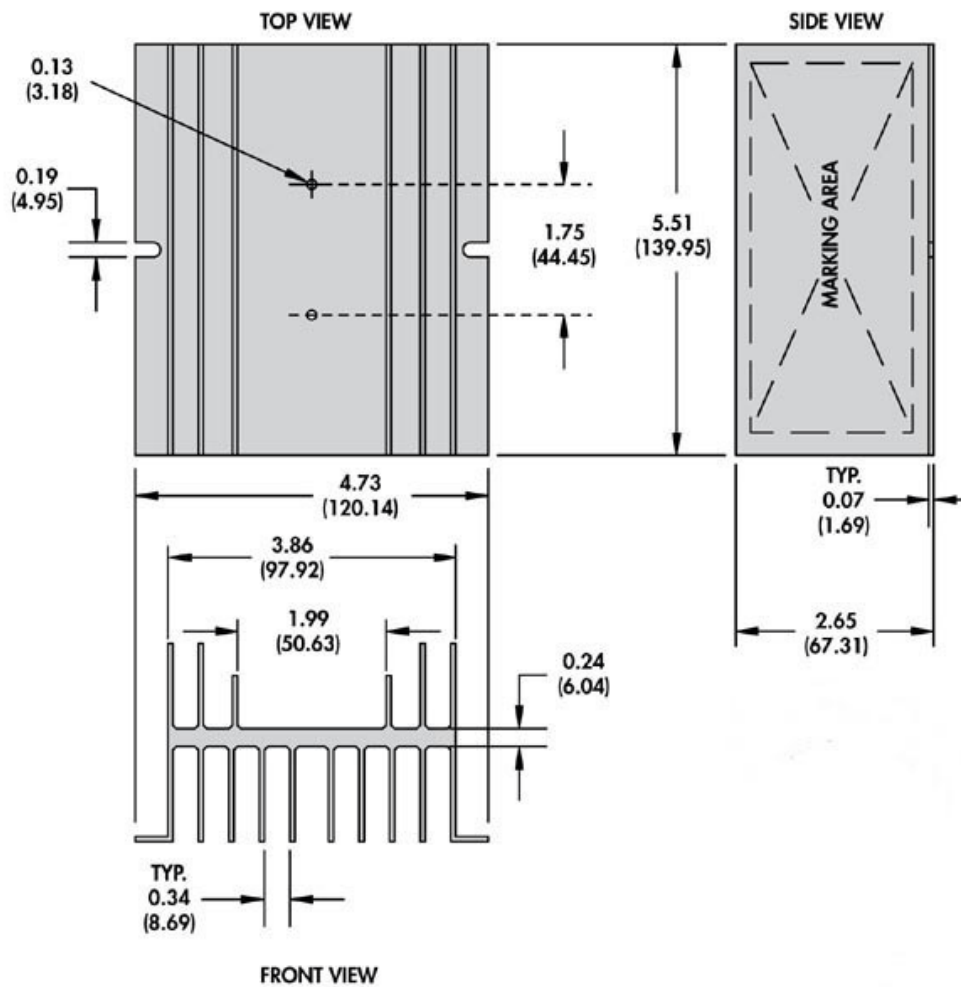
Packing Units

Unit Type of Package 1	PCE
Package 1 Height	2.65 in (6.731 cm)
Package 1 width	4.73 in (12.014 cm)
Package 1 Length	5.51 in (13.995 cm)
Unit Type of Package 2	BB1
Number of Units in Package 2	1
Package 2 Weight	19.70 oz (558.5 g)
Package 2 Height	2.87 in (7.3 cm)
Package 2 width	5.71 in (14.5 cm)
Package 2 Length	5.04 in (12.8 cm)
Unit Type of Package 3	CAR
Number of Units in Package 3	10
Package 3 Weight	14.70 lb(US) (6.67 kg)
Package 3 Height	6.30 in (16 cm)
Package 3 width	5.91 in (15 cm)
Package 3 Length	26.38 in (67 cm)

Offer Sustainability

Sustainable offer status	Green Premium product
California proposition 65	WARNING: This product can expose you to chemicals including: Nickel compounds, which is known to the State of California to cause cancer, and Di-isodecyl phthalate (DIDP), which is known to the State of California to cause birth defects or other reproductive harm. For more information go to www.P65Warnings.ca.gov
REACH Regulation	REACH Declaration
EU RoHS Directive	Pro-active compliance (Product out of EU RoHS legal scope) EU RoHS Declaration
Mercury free	Yes
RoHS exemption information	Yes
China RoHS Regulation	China RoHS Declaration
Environmental Disclosure	Product Environmental Profile

Approximate Dimensions



Mouser Electronics

Authorized Distributor

Click to View Pricing, Inventory, Delivery & Lifecycle Information:

[Schneider Electric:](#)

[SSR-HS-1](#)