

SSR245DIN-DC45

Relay, SE Relays, solid state, SPST NO, 45A, 24...480 VAC, 3...32 VDC U_c, SCR, AC zero cross, 45 mmm



Main

Range	Legacy
Product Type	Solid state relay
Maximum output current	45 A
Mounting Support	Panel DIN rail
Network Number of Phases	1 phase
Output Voltage	24...280 V AC

Complementary

Input Current Limits	17 mA at 5 V DC typical
Switch Function	SPST
Contacts Type and Composition	NO
Tightening Torque	0.6...0.7 N.m for input 1.1...1.7 N.m for output
Connections Terminals	Input screw AWG 12) Output screw AWG 8)
Local Signalling	For input status 1 LED (green)
Switching Voltage	4 V DC turn-on 1 V DC turn-off
Switching Device	SCR output Zero voltage switching
Maximum Peak Voltage	600 V
Surge Current	625 A 16.6 ms
Voltage Drop	<1.6 V on-state
Maximum I ² t for fusing	1621 A ² .s 8.3 ms
Leakage Current	10 mA at off-state
DV/dt	500 V/μs off-state maximum
Response Time	8.33 ms (turn-on, turn-off)
Height	4.20 in (106.7 mm)
Width	1.79 in (45.5 mm)
Depth	3.10 in (78.7 mm)
Product Weight	16.79 oz (476 g)

Environment

Product Certifications	CSA CE
Ambient Air Temperature for Operation	-40...176 °F (-40...80 °C)
Ambient Air Temperature for Storage	-40...257 °F (-40...125 °C)

Ordering and shipping details

GTIN	3606480282836
Nbr. of units in pkg.	1
Package weight(Lbs)	17.00 oz (482.0 g)

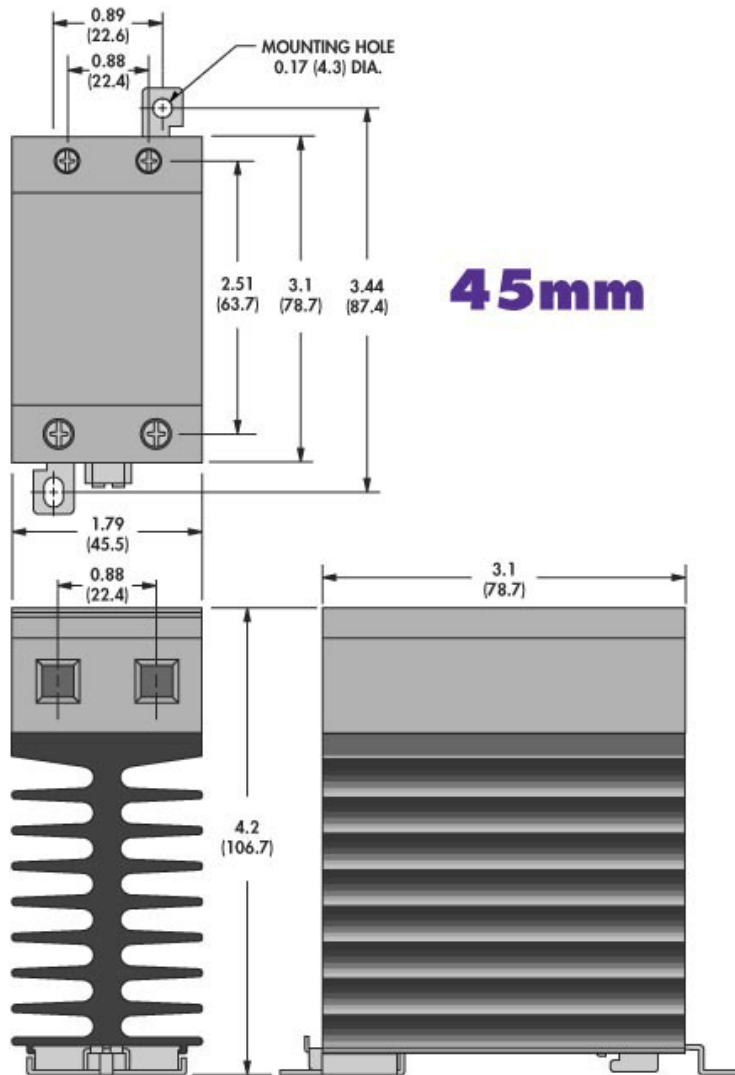
Packing Units

Unit Type of Package 1	PCE
Package 1 Height	3.44 in (8.74 cm)
Package 1 width	1.79 in (4.55 cm)
Package 1 Length	4.20 in (10.67 cm)

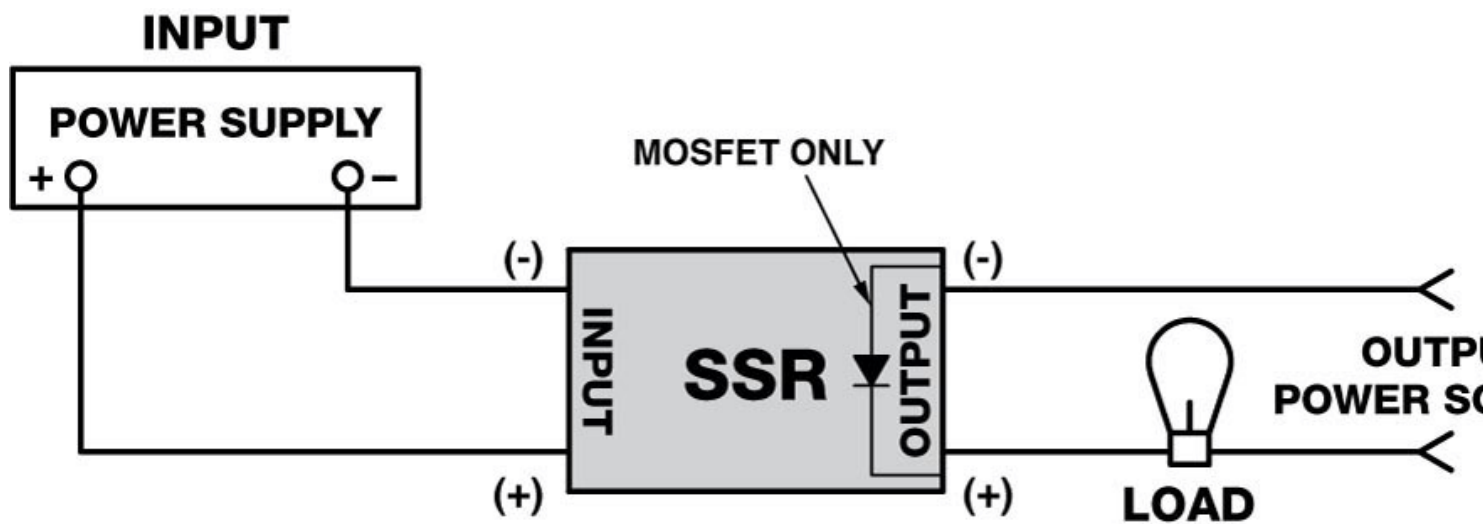
Offer Sustainability

Sustainable offer status	Green Premium product
California proposition 65	WARNING: This product can expose you to chemicals including: Lead and lead compounds, which is known to the State of California to cause cancer and birth defects or other reproductive harm. For more information go to www.P65Warnings.ca.gov
REACH Regulation	REACH Declaration
EU RoHS Directive	Pro-active compliance (Product out of EU RoHS legal scope) EU RoHS Declaration
Mercury free	Yes
RoHS exemption information	Yes
China RoHS Regulation	China RoHS Declaration
Environmental Disclosure	Product Environmental Profile
Circularity Profile	End Of Life Information
WEEE	The product must be disposed on European Union markets following specific waste collection and never end up in rubbish bins.

Approximate Dimensions



Connections and Wiring Diagrams



Mouser Electronics

Authorized Distributor

Click to View Pricing, Inventory, Delivery & Lifecycle Information:

[Schneider Electric:](#)

[SSR245DIN-DC45](#)